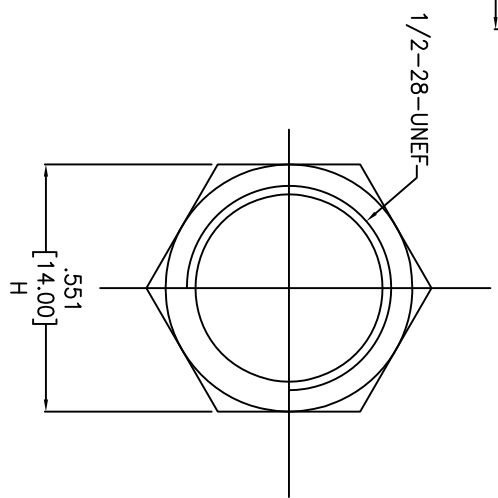
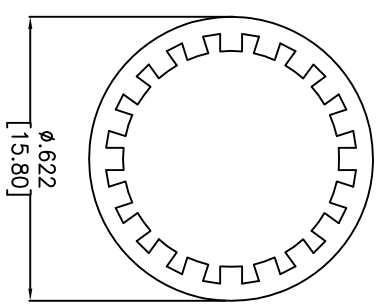
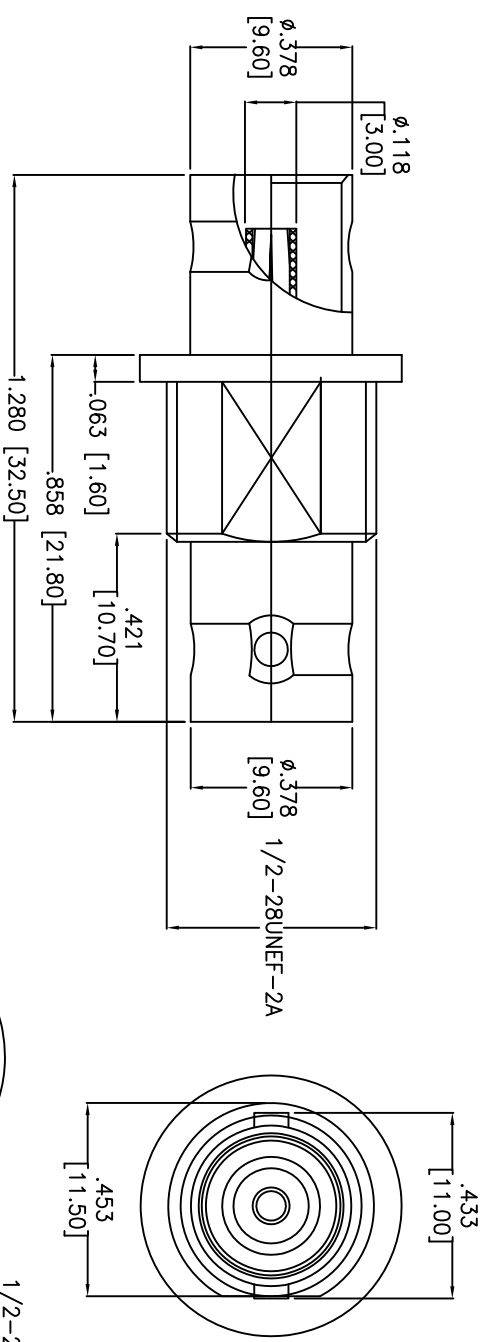


Rev	AWO #	Description	Date	Appr
-	10244	RELEASED	5/05/10	

APPROVED: _____
 DATE: _____ TITLE: _____



NUT	ZINC	NICKEL
LOCK WASHER	STEEL	NICKEL
WASHER	IRON	NICKEL
CENTER PIN	PHSPHOR BRONZE	GOLD
INSULATOR	POM	NONE
BODY	ZINC	NICKEL
DESCRIPTION	MATERIAL	FINISH

SPECIFICATIONS:

Electrical:

Impedance: 75 ohms

Frequency range: 0-4 GHz

Working Voltage: 500 VRMS max.

Dielectric Withstanding Voltage: 1500 VRMS min.

Contact Resistance: 3 Milliohms max. (Center Contact)
 2 Milliohms max. (Outer Contact)

Insulator Resistance: 5000 Megohms min.

Environmental:
 Lead free, RoHS compliant.

UNLESS OTHERWISE SPECIFIED
 ALL DIMENSIONS ARE INCHES [MM]
 TOLERANCES: EXCEPT AS NOTED
 INCHES Holes
 .X ±.10 Ø.X ±.10
 .XX ±.020 Ø.XXX ±.015
 .XXX ±.015 Ø.XXXX ±.010

APPROVALS		DATE
DRAWN	DY	5/05/10
CHECKED		
APPROVED		

ADAM TECH
 909 Railway Avenue, Union, NJ 07083
 Phone: 908-687-5000 Fax: 908-687-5710

TITLE: BNC DOUBLE FEMALE BULKHEAD ADAPTOR 75 OHM

SIZE	PART NO.	REV.
X	RF1-44-D-AS-75-HDW	-
REF:	S00049T	SCALE: NTS
SHEET	1	OF 1

X-ON Electronics

Largest Supplier of Electrical and Electronic Components

Click to view similar products for [RF Connectors](#) / [Coaxial Connectors](#) category:

Click to view products by [Adam](#) manufacturer:

Other Similar products are found below :

[89674-0827](#) [6059674-1](#) [630059-000](#) [6501-1071-002](#) [6769](#) [7002-1541-010](#) [7002-1572-002](#) [7004-1512-000](#) [7009-1511-004](#) [7101-1541-010](#)
[7101-1571-002](#) [7105-1521-002](#) [7203-1571-003](#) [7209-1511-011](#) [7210-1511-040](#) [7242-1511-000](#) [7405-1521-005](#) [7405-1521-802](#)
[804S01D04M040](#) [8527](#) [8547](#) [FS11V](#) [877931](#) [8808-1511-001](#) [9049-9513-000](#) [9074-9513-000](#) [PL11C-026](#) [PL40-36](#) [9408-1113-000](#) [980-](#)
[8666-005](#) [11 SMA-50-2-6 / 111 NE](#) [11 SMA-50-3-6 / 111 NE](#) [1-201144-1](#) [120919](#) [R107003010W](#) [R112186000](#) [R113053000W](#) [R113082097](#)
[R113236000](#) [R114083000](#) [R114670000W](#) [R123415000W](#) [R124076320](#) [R124076450](#) [R124175123](#) [R125075000W](#) [R125075001](#)
[R125172000W](#) [R125415030](#) [R141007161](#)