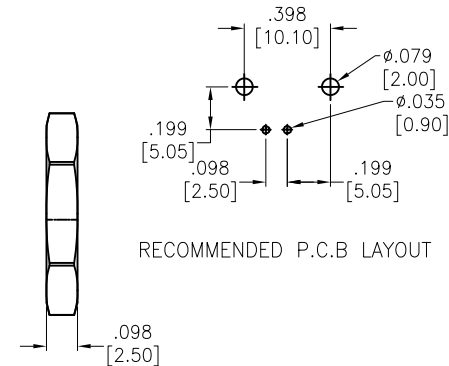
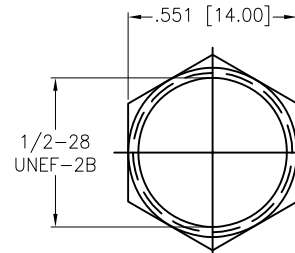
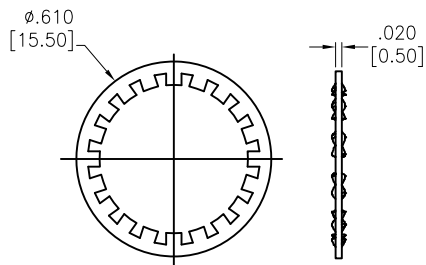
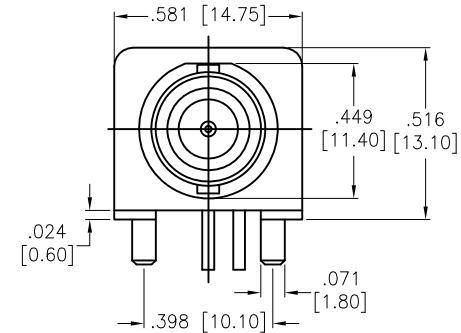
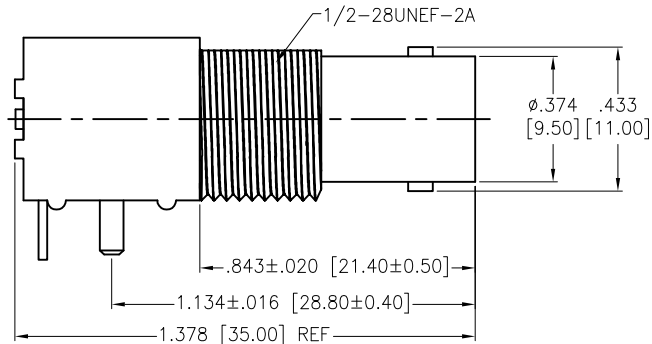
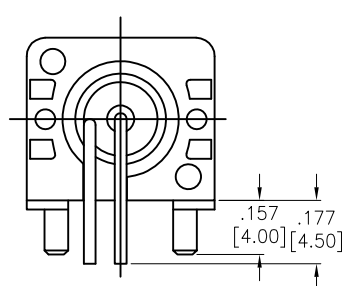


APPROVED: \_\_\_\_\_  
 DATE: \_\_\_\_\_ TITLE: \_\_\_\_\_

| Rev | AWO # | Description | Date    | Appr |
|-----|-------|-------------|---------|------|
| -   |       | RELEASED    | 1/19/22 |      |



RECOMMENDED P.C.B LAYOUT

|                |          |        |
|----------------|----------|--------|
| HEX NUT        | BRASS    | NICKEL |
| WASHER         | BRASS    | NICKEL |
| FIXED MOUNT    | ABS      | WHITE  |
| INSULATOR      | POM      | WHITE  |
| FIXED FOOTREST | IRON     | NICKEL |
| LEAD           | IRON     | GOLD   |
| BODY           | ZINC     | NICKEL |
| CENTER CONTACT | BRASS    | GOLD   |
| DESCRIPTION    | MATERIAL | FINISH |

WASHER

NUT

**SPECIFICATIONS:**

Electrical:  
 Nominal Impedance: 50 ohms  
 Frequency range: DC-3G  
 Working Voltage: 500V rms @sea level  
 Insulator Resistance: 5000 Megohms min.  
 Temperature Rating:  
 -55°C to +155°C  
 Environmental:  
 Lead free, RoHS compliant.



UNLESS OTHERWISE SPECIFIED ALL DIMENSIONS ARE INCHES [MM]. TOLERANCES: EXCEPT AS NOTED

| INCHES |       | HOLES |       |
|--------|-------|-------|-------|
| .X     | ±.10  | Ø.X   | ±.10  |
| .XX    | ±.020 | Ø.XX  | ±.015 |
| .XXX   | ±.015 | Ø.XXX | ±.010 |

**ADAM  
 TECH**

909 Rahway Avenue,  
 Union, NJ 07083  
 Phone: 908-687-5000  
 Fax: 908-687-5710

|          |    |         |
|----------|----|---------|
| DRAWN    | LH | 1/19/22 |
| CHECKED  | RC | 1/19/22 |
| APPROVED |    |         |

|   |           |      |
|---|-----------|------|
| TITLE                                   |           |      |
| RIGHT ANGLE BNC FEMALE P.C. BOARD MOUNT |           |      |
| SIZE                                    | PART NO.  | REV. |
| X                                       | RF1-500-6 | -    |

THIS DRAWING CONTAINS INFORMATION THAT IS PROPRIETARY AND SHOULD NOT BE USED WITHOUT PRIOR WRITTEN PERMISSION FROM ADAM TECH

|      |         |        |     |       |        |
|------|---------|--------|-----|-------|--------|
| REF: | S00128C | SCALE: | NTS | SHEET | 1 OF 1 |
|------|---------|--------|-----|-------|--------|

## X-ON Electronics

Largest Supplier of Electrical and Electronic Components

*Click to view similar products for [RF Connectors / Coaxial Connectors](#) category:*

*Click to view products by [Adam](#) manufacturer:*

Other Similar products are found below :

[8915-1511-000](#) [89674-0827](#) [6001-7071-019](#) [6002-7051-003](#) [6059674-1](#) [619550-1](#) [630059-000](#) [M39030/3-01N](#) [6769](#) [CX050L2AQ](#) [7002-1541-010](#) [7002-1542-011](#) [7002-1572-002](#) [7003-1542-011](#) [7004-1512-000](#) [7009-1511-004](#) [7010-1511-000](#) [7029-1511-060](#) [7101-1541-010](#) [7101-1571-002](#) [7105-1521-002](#) [7145-1521-002](#) [7203-1571-003](#) [7209-1511-011](#) [7210-1511-015](#) [7210-1511-019](#) [7242-1511-000](#) [73137-5015](#) [73216-2241](#) [73404-2300](#) [7405-1521-005](#) [7405-1521-802](#) [8527](#) [8547](#) [FS11V](#) [877931](#) [9074-9513-000](#) [910A205F](#) [PL11SC-026](#) [PL40-5](#) [PL74C-221](#) [PL75MC-217](#) [PL803-7](#) [980-8666-005](#) [1200690078](#) [1-201144-1](#) [R107003010W](#) [R110A172100](#) [R112186000](#) [R113053000W](#)