

6

5

4

3

2

1

APPROVED: \_\_\_\_\_

DATE: \_\_\_\_\_ TITLE: \_\_\_\_\_

Rev	AWO #	Description	Date	Appr
-		RELEASED	4/29/16	
A		UPDATE DRAWING	2/27/20	AY/EY

D

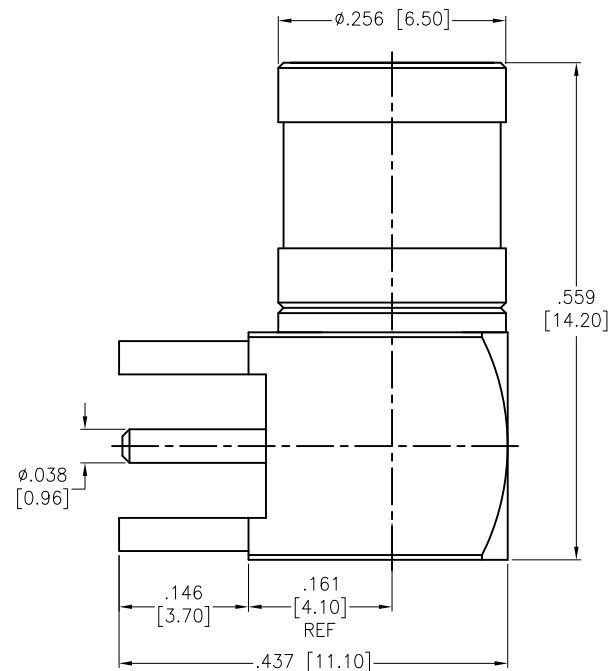
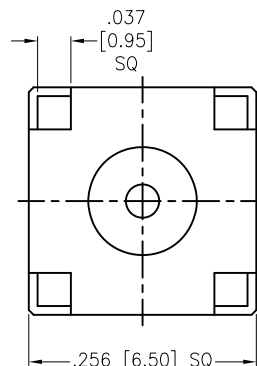
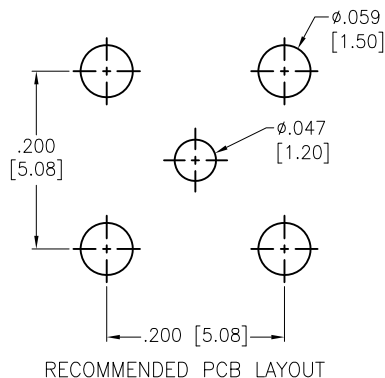
D

C

C

B

B



SHELL	BRASS	GOLD
INSULATOR	PTFE	WHITE
HOUSING	BRASS	GOLD
CONTACT PIN	PB CU	GOLD
RING	BE CU	GOLD
INSULATOR	PTFE	WHITE
BODY	BRASS	GOLD
DESCRIPTION	MATERIAL	FINISH

**SPECIFICATIONS:**

Electrical:

Nominal Impedance: 50 ohms

Frequency range: 0-4 GHz

Working Voltage: 335 VOLTS Max

Proof Voltage: 1000 VOLTS

Temperature Rating:

Operating temperature: -65°C to +165°C

Environmental:

Lead free, RoHS compliant.



UNLESS OTHERWISE SPECIFIED  
ALL DIMENSIONS ARE INCHES [MM]  
TOLERANCES: EXCEPT AS NOTED  
INCHES HOLES

.X ± .10	Ø.X ± .10
.XX ± .020	Ø.XX ± .015
.XXX ± .015	Ø.XXX ± .010

**ADAM**  
**TECH**  
INTERCONNECTS

909 Rahway Avenue,  
Union, NJ 07083  
Phone: 908-687-5000  
Fax: 908-687-5710

TITLE

SMB R/A PLUG PCB MOUNT

APPROVALS		DATE
DRAWN	AY	4/29/16
CHECKED	AT	4/29/16
APPROVED		

SIZE	PART NO.	REV.
X	RF3-04A-T-00-50-G	A
REF: S00277T	SCALE: NTS	SHEET 1 OF 1

6

5

4

3

2

1

A

A

## X-ON Electronics

Largest Supplier of Electrical and Electronic Components

*Click to view similar products for [RF Connectors](#) / [Coaxial Connectors](#) category:*

*Click to view products by [Adam](#) manufacturer:*

Other Similar products are found below :

[89674-0827](#) [6059674-1](#) [630059-000](#) [6501-1071-002](#) [6769](#) [7002-1541-010](#) [7002-1572-002](#) [7004-1512-000](#) [7009-1511-004](#) [7101-1541-010](#)  
[7101-1571-002](#) [7105-1521-002](#) [7203-1571-003](#) [7209-1511-011](#) [7210-1511-040](#) [7242-1511-000](#) [7405-1521-005](#) [7405-1521-802](#)  
[804S01D04M040](#) [8527](#) [8547](#) [FS11V](#) [877931](#) [8808-1511-001](#) [9049-9513-000](#) [9074-9513-000](#) [PL11C-026](#) [PL40-36](#) [9408-1113-000](#) [980-](#)  
[8666-005](#) [11 SMA-50-2-6 / 111 NE](#) [11 SMA-50-3-6 / 111 NE](#) [1-201144-1](#) [120919](#) [R107003010W](#) [R112186000](#) [R113053000W](#) [R113082097](#)  
[R113236000](#) [R114083000](#) [R114670000W](#) [R123415000W](#) [R124076320](#) [R124076450](#) [R124175123](#) [R125075000W](#) [R125075001](#)  
[R125172000W](#) [R125415030](#) [R141007161](#)