

6

5

4

3

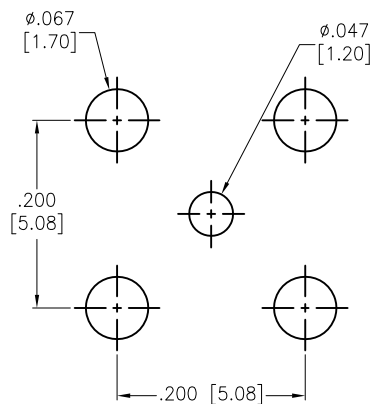
2

1

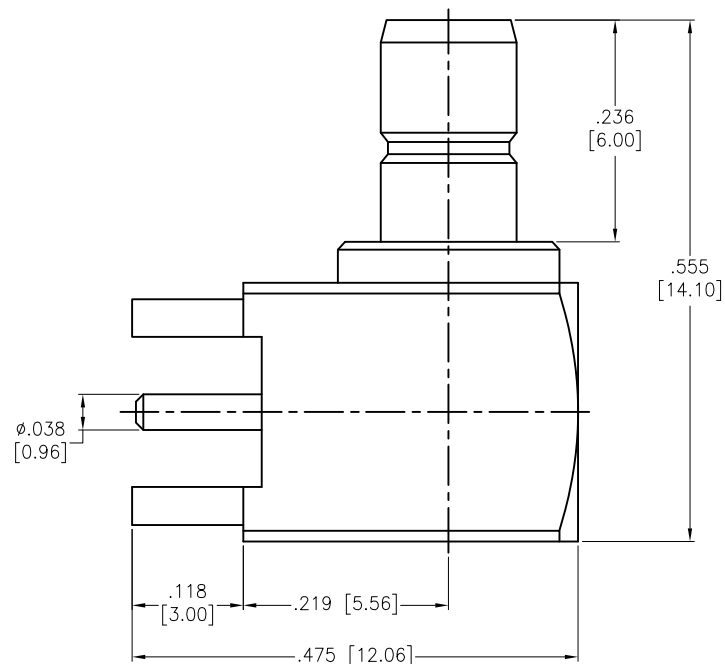
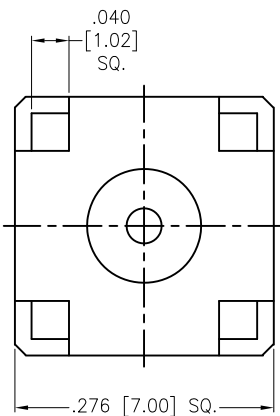
APPROVED: _____

DATE: _____ TITLE: _____

Rev	AWO #	Description	Date	Appr
-		RELEASED	5/18/16	



RECOMMENDED PCB LAYOUT



INSULATOR	PTFE	WHITE
HOUSING	BRASS	GOLD
CONTACT PIN	BRASS	GOLD
INSULATOR	PTFE	WHITE
BODY	BRASS	GOLD
DESCRIPTION	MATERIAL	FINISH

SPECIFICATIONS:

Electrical:
 Nominal Impedance: 50 ohms
 Frequency range: DC-4 GHz
 Working Voltage: 335 VOLTS max
 Proof Voltage: 1,000 VOLTS
 Temperature Rating:
 Operating temperature: -65°C to +165°C
 Environmental:
 Lead free, RoHS compliant.



UNLESS OTHERWISE SPECIFIED
 ALL DIMENSIONS ARE INCHES [MM]
 TOLERANCES: EXCEPT AS NOTED
 INCHES HOLES

.X ± .10	∅X ± .10
.XX ± .020	∅XX ± .015
.XXX ± .015	∅XXX ± .010

ADAM TECH

909 Rahway Avenue, Union, NJ 07083
 Phone: 908-687-5000 Fax: 908-687-5710

APPROVALS		DATE
DRAWN	HR	5/18/16
CHECKED	LW	5/18/16
APPROVED		

TITLE		
SMB JACK R/A PCB MOUNT		
SIZE	PART NO.	REV.
X	RF3-46-T-00-50-G	-
REF: S00277T	SCALE: NTS	SHEET 1 OF 1

6

5

4

3

2

1

X-ON Electronics

Largest Supplier of Electrical and Electronic Components

Click to view similar products for [RF Connectors](#) / [Coaxial Connectors](#) category:

Click to view products by [Adam](#) manufacturer:

Other Similar products are found below :

[89674-0827](#) [6059674-1](#) [630059-000](#) [6501-1071-002](#) [6769](#) [7002-1541-010](#) [7002-1572-002](#) [7004-1512-000](#) [7009-1511-004](#) [7101-1541-010](#)
[7101-1571-002](#) [7105-1521-002](#) [7203-1571-003](#) [7209-1511-011](#) [7210-1511-040](#) [7242-1511-000](#) [7405-1521-005](#) [7405-1521-802](#)
[804S01D04M040](#) [8527](#) [8547](#) [FS11V](#) [877931](#) [8808-1511-001](#) [9049-9513-000](#) [9074-9513-000](#) [PL11C-026](#) [PL40-36](#) [9408-1113-000](#) [980-](#)
[8666-005](#) [11 SMA-50-2-6 / 111 NE](#) [11 SMA-50-3-6 / 111 NE](#) [1-201144-1](#) [120919](#) [R107003010W](#) [R112186000](#) [R113053000W](#) [R113082097](#)
[R113236000](#) [R114083000](#) [R114670000W](#) [R123415000W](#) [R124076320](#) [R124076450](#) [R124175123](#) [R125075000W](#) [R125075001](#)
[R125172000W](#) [R125415030](#) [R141007161](#)