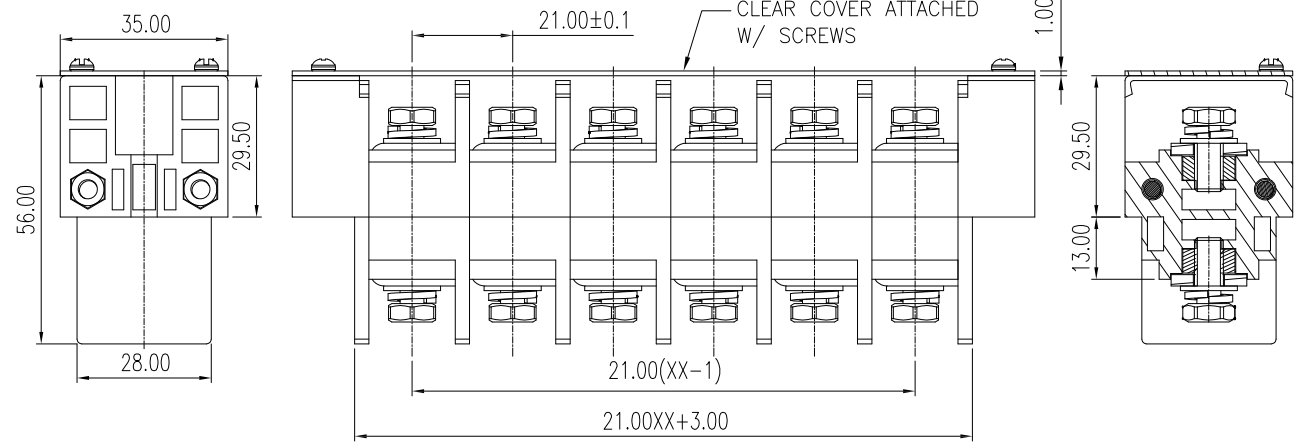
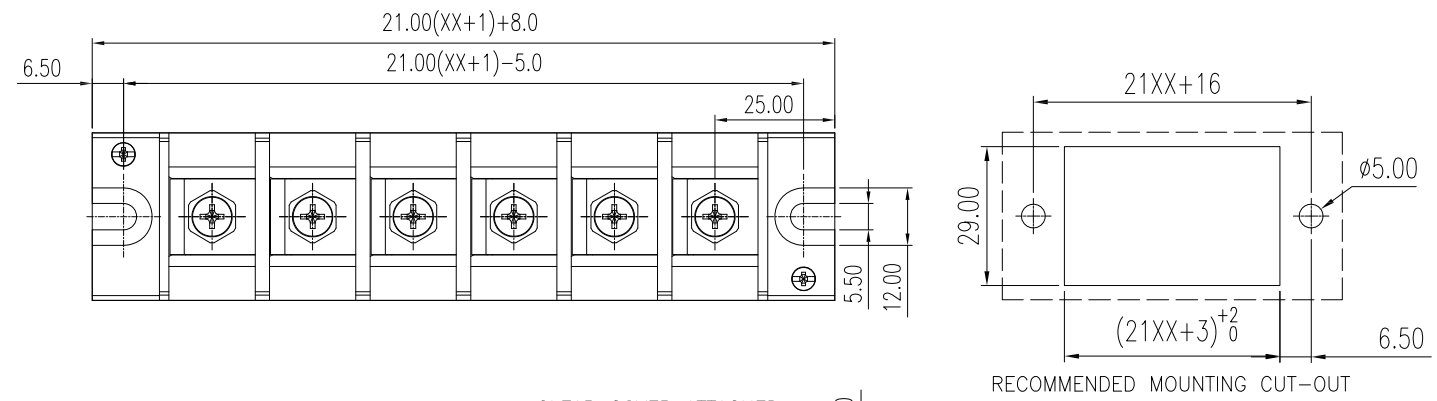


APPROVED: \_\_\_\_\_  
 DATE: \_\_\_\_\_ TITLE: \_\_\_\_\_

Rev	AWO #	Description	Date	Appr
-		RELEASED	11/26/18	



Poles: 01 thru 15

**SPECIFICATIONS:**  
 Material:  
 Insulator: PBT, rated UL 94V-0  
 Insulator color: Black  
 Contacts: Copper Alloy, Tin plated  
 Screw: M6 Steel, Zinc plated  
 Electrical:  
 Voltage rating: 600 V  
 Current rating: 115 A  
 Contact resistance: 20 mohms  
 Insulation resistance: 1000 Mohms / DC500V  
 Dielectric withstanding voltage: 2,500 VAC for 1 minute  
 Mechanical:  
 Wire Range: 8~2 AWG  
 Torque: 3.0Nm  
 Temperature Rating:  
 -40°C to +130°C  
 Environmental:  
 Lead free, RoHS compliant.



	linear dimension (Tolerances Standard)											≡	-	∥	⊥															
	variable	to	over	over	over	over	over	over	over	over	over					all	to	over	over	over										
range	to	6	to	10	to	18	to	30	to	50	to	80	to	120	to	160	to	200	to	250	to	all	to	5	to	30	to	120	to	
tolerance	±0.1	±0.14	±0.19	±0.25	±0.32	±0.43	±0.57	±0.72	±0.88	±1.05	±1.25	0.5	0.025	0.06	0.12	0.4														

UNLESS OTHERWISE SPECIFIED ALL DIMENSIONS ARE MILLIMETERS TOLERANCES: EXCEPT AS NOTED  SEE CHART		<b>ADAM TECH INTERCONNECTS</b>		909 Rahway Avenue, Union, NJ 07083 Phone: 908-687-5000 Fax: 908-687-5710	
APPROVALS		DATE		TITLE	
DRAWN	AY	11/26/18		TERMINAL BLOCK, .827 [21.00] PITCH W/ CLEAR COVER	
CHECKED	AC	11/26/18		SIZE	PART NO.
APPROVED		X		TBU-XX-W4-CCS	REV. -
REF: S00067C		SCALE: NTS		SHEET 1 OF 1	

6 5 4 3 2 1

6 5 4 3 2 1

## X-ON Electronics

Largest Supplier of Electrical and Electronic Components

*Click to view similar products for [Barrier Terminal Blocks](#) category:*

*Click to view products by [Adam](#) manufacturer:*

Other Similar products are found below :

[CR151D20104](#) [670A-RZ-15-KT20](#) [6C1N03](#) [6PCR-02](#) [6PCR-02-008](#) [6PCR-05-008](#) [6PCR-08-008](#) [6PCR-09-008](#) [6PCR-13-006](#) [6PCR-15-006](#) [6PCV-06-008](#) [6PCV-06-716](#) [6PCV-09-001](#) [6PCV-15-008](#) [6PCV-17-1206](#) [6PCV-20-323](#) [6STR-06-006](#) [6STR-12-008](#) [6STR-13-006](#) [6STR-14-008](#) [6STR-16-008](#) [6STR-17-008](#) [6STR-21-008](#) [6STR-25-008](#) [6STR-27-008](#) [6STV-03-008](#) [6STV-09-006](#) [6STV-10-006](#) [6WWV-11-008](#) [6WWV-12-008](#) [6WWV-16-008](#) [71502-50](#) [71507-47-50](#) [72504-C-50](#) [72506-C](#) [72507-C-50](#) [72508-56](#) [73203](#) [75505-C-50](#) [812-GP-3/4ST-09](#) [812-GPZ-03PSB](#) [8-1437402-5](#) [8-1437402-7](#) [8PCR-06-006](#) [8PCR-11-006](#) [8PCV-04-001](#) [8PCV-05-008](#) [8PCV-09-006](#) [8PCV-15-006](#) [8PCV-16-006](#)