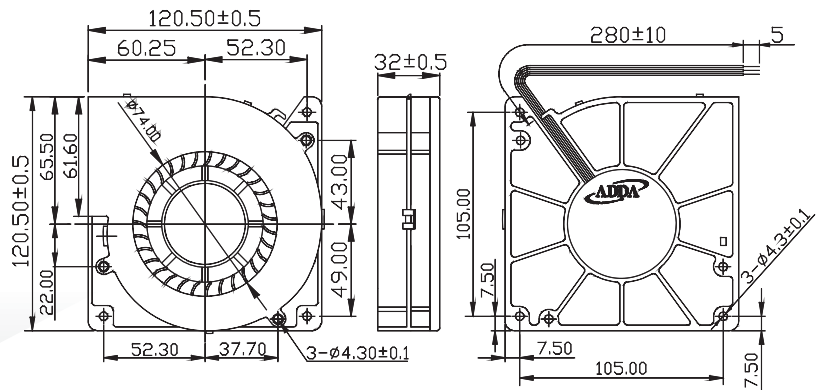




AB12032 SERIES

External Dimensions



Frame:Plastic(UL:94V-0)
 Impeller:Plastic(UL:94V-0)
 Lead wire:UL1007AWG24

Specifications(Nominal)

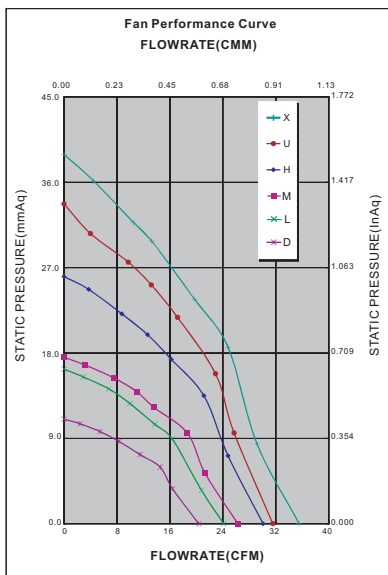
*Noise is measured at the distance of one (1) meter from the axis of intake.

Bearing type: ◎=Ball ※=Sleeve ●=Hydro bearing

Frame size (mm)	Model No.	Bearing System Type	Rated Voltage (VDC)	Current (A)	Power (W)	Rated Speed (rpm)	Maximum AirFlow (CMM)	Maximum AirFlow (CFM)	Maximum Pressure (InAq)	Maximum Pressure (mmAq)	*Noise Level (dB/A)	Weight (g)
120x120x32	AB1212DB-Y0B	◎ ※ ●	12	0.26	3.12	1800	0.575	20.345	0.434	11.023	50.2	251.0
	AB1212LB-Y0B	◎ ※ ●	12	0.41	4.92	2100	0.682	24.128	0.642	16.306	49.3	
	AB1212MB-Y0B	◎ ※ ●	12	0.53	6.36	2300	0.743	26.264	0.691	17.551	47.6	
	AB1212HB-Y0B	◎ ※ ●	12	0.79	9.48	2600	0.851	30.071	1.026	26.060	52.6	
	AB1212UB-Y0B	◎ ※ ●	12	0.94	11.28	2800	0.892	31.534	1.328	33.731	55.7	
	AB1212XB-Y0B	◎	12	1.12	13.44	3100	1.005	35.516	1.533	38.938	59.6	
	AB1224DB-Y0B	◎ ※ ●	24	0.19	4.56	1800	0.575	20.345	0.434	11.023	50.2	
	AB1224LB-Y0B	◎ ※ ●	24	0.25	6.00	2100	0.682	24.128	0.642	16.306	49.3	
	AB1224MB-Y0B	◎ ※ ●	24	0.36	8.64	2300	0.743	26.264	0.691	17.551	47.6	
	AB1224HB-Y0B	◎ ※ ●	24	0.43	10.32	2600	0.851	30.071	1.026	26.060	52.6	
	AB1224UB-Y0B	◎ ※ ●	24	0.50	12.00	2800	0.892	31.534	1.328	33.731	55.7	
	AB1224XB-Y0B	◎	24	0.68	16.32	3100	1.005	35.516	1.533	38.938	59.6	
	AB1248DB-Y0B	◎ ※ ●	48	0.09	4.32	1800	0.575	20.345	0.434	11.023	50.2	
	AB1248LB-Y0B	◎ ※ ●	48	0.16	7.68	2100	0.682	24.128	0.642	16.306	49.3	
	AB1248MB-Y0B	◎ ※ ●	48	0.18	8.64	2300	0.743	26.264	0.691	17.551	47.6	
	AB1248HB-Y0B	◎ ※ ●	48	0.22	10.56	2600	0.851	30.071	1.026	26.060	52.6	
AB1248UB-Y0B	◎ ※ ●	48	0.29	13.92	2800	0.892	31.534	1.328	33.731	55.7		

Specifications subject to change without notice.

The specification for bearing type is for reference only , for more bearing types information, please contact with your ADDA sales representative, thanks!!
 (網頁上呈現產品軸承資訊均以2Ball為主，若需其他產品資訊請聯絡您在ADDA的業務代表，謝謝!!)



*Motor protective circuit and third lead wire functions

0	1	2	3	4	6	7	8	9	A	B
	✓	✓	✓					✓		✓

*Safety approvals

✓	✓		✓	✓

X-ON Electronics

Largest Supplier of Electrical and Electronic Components

Click to view similar products for [Blowers & Centrifugal Fans](#) category:

Click to view products by [ADDA](#) manufacturer:

Other Similar products are found below :

[MKEL-DRB](#) [AIF60111](#) [AIF60112](#) [AIF62112](#) [AIF801724](#) [AIF82111](#) [AIF82112](#) [DOP-EXI014RAE](#) [BR300W100](#) [BR300W400](#)

[KFC1048DS-S45D](#) [AIF64111](#) [AIF641714](#) [AIF802714](#) [CME-COP01](#) [R2E180CH0312](#) [D2E160-AH02-15](#) [TP04G-AS2](#) [TP05G-BT2](#) [TP-PCC](#)

[BR200W250](#) [DFD0612H/SPECTRA](#) [DOP-EXI028RAE](#) [ENA01-MOD](#) [ENA01-EIP](#) [2234000A001-055](#) [2234000A00J000](#) [1396000K911-039](#)

[1319013K66E000](#) [1316037K66E000](#) [1301037K00E000](#) [1301037G00E002](#) [TP08G-BT2](#) [1232000A00E000](#) [1213000A07E000](#) [55442.40890](#)

[55462.19140](#) [G2E140-AG02-05](#) [55410.91750](#) [R2E190-RA18-96](#) [R2E225-RA02-47](#) [AB1212LB-Y01](#) [R4D450-AK03-05](#) [RLF100-11/14/19](#)

[BFB04512HD-R00](#) [G2D140-AC30-18](#) [R2E225-AB05-05](#) [M39012/24-0001](#) [K2E220-RA38-09](#) [55462.40760](#)