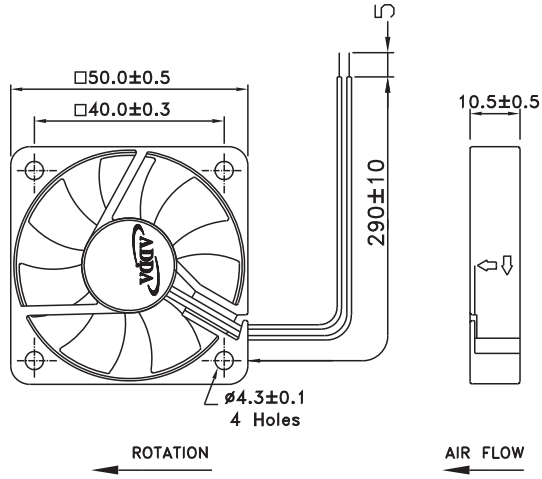




AD5010 SERIES

External Dimensions



Frame:Plastic(UL:94V-0)
 Impeller:Plastic(UL:94V-0)
 Lead wire:UL1007AWG26

Specifications(Nominal)

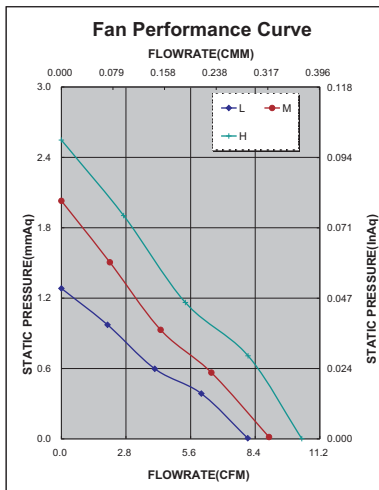
*Noise is measured at the distance of one (1) meter from the axis of intake.

Bearing type: ⊙=Ball ⊛=Sleeve ●=Hypro bearing

Frame size (mm)	Model No.	Bearing System Type	Rated Voltage (VDC)	Current (A)	Power (W)	Rated Speed (rpm)	Maximum AirFlow (CMM)	Maximum AirFlow (CFM)	Maximum Pressure (InAq)	Maximum Pressure (mmAq)	*Noise Level (dB/A)	Weight (g)
50x50x10	AD0505LB-G70(BT1)	⊙ ●	5	0.12	0.60	3700	0.226	8.000	0.050	1.270	22.8	18.0
	AD0505MB-G70(BT1)	⊙ ●	5	0.18	0.90	4300	0.254	9.000	0.080	2.030	27.4	
	AD0505HB-G70(BT1)	⊙ ●	5	0.23	1.15	5000	0.291	10.300	0.100	2.540	30.4	
	AD0512LB-G70(BT1)	⊙ ●	12	0.10	1.20	3700	0.226	8.000	0.050	1.270	22.8	
	AD0512MB-G70(BT1)	⊙ ●	12	0.12	1.44	4300	0.254	9.000	0.080	2.030	27.4	
	AD0512HB-G70(BT1)	⊙ ●	12	0.15	1.80	5000	0.291	10.300	0.100	2.540	30.4	
	AD0524LB-G70(BT1)	⊙ ●	24	0.09	2.16	3700	0.226	8.000	0.050	1.270	22.8	
	AD0524MB-G70(BT1)	⊙ ●	24	0.10	2.40	4300	0.254	9.000	0.080	2.030	27.4	
AD0524HB-G70(BT1)	⊙ ●	24	0.11	2.64	5000	0.291	10.300	0.100	2.540	30.4		

Specifications subject to change without notice.

The specification for bearing type is for reference only , for more bearing types information, please contact with your ADDA sales representative, thanks!!
 (網頁上呈現產品軸承資訊均以2Ball為主, 若需其他產品資訊請聯絡您在ADDA的業務代表, 謝謝!!)



*Motor protective circuit and third lead wire functions

0	1	2	3	4	6	7	8	9	A	B
✓	✓	✓	✓		✓			✓		✓

*Safety approvals

✓	✓		✓	✓

X-ON Electronics

Largest Supplier of Electrical and Electronic Components

Click to view similar products for [DC Fans](#) category:

Click to view products by [ADDA](#) manufacturer:

Other Similar products are found below :

[614R](#) [AUB0612L](#) [AFB0948HH-S687](#) [G2E085-AA05-10](#) [4318/12T](#) [AUB0912H-F00](#) [3412N/2ME](#) [W2G110-AM39-01](#) [8412GLV](#) [8412NGL-12](#) [6448-384](#) [4114N/17-251](#) [4318/2R](#) [4412F/2D](#) [424JMU](#) [4414/2HH](#) [4112 N/12GL-175](#) [9GA0912F402](#) [9GA0812B20011](#)
[AFB0824SHBAV1](#) [DV5214/2NP-230](#) [9GA0912H4021](#) [THC1548MGDJJ](#) [9GA0812B2001](#) [GFB1224SHG](#) [8500NU](#) [9WG1212E101-E](#)
[3241.124](#) [DC0401012V2B-3T0](#) [ASFP14391](#) [ASFP64371](#) [ASFP64391](#) [ASFP84391](#) [ASFP92391](#) [9A0612G402](#) [AD5012HB-C71](#)
[AD5012MB-C71](#) [ASFP84372](#) [ASFP64372](#) [31100-000440-RS](#) [026758A](#) [514F](#) [MEC0381V1-000U-G99](#) [4292](#) [MF60152V1-1000U-G99](#)
[3610KL-04W-B50-D00](#) [109P0412K3023](#) [EE92251B1-000U-F99](#) [8218J/2H4P](#) [PF60381B1-000U-S99](#)