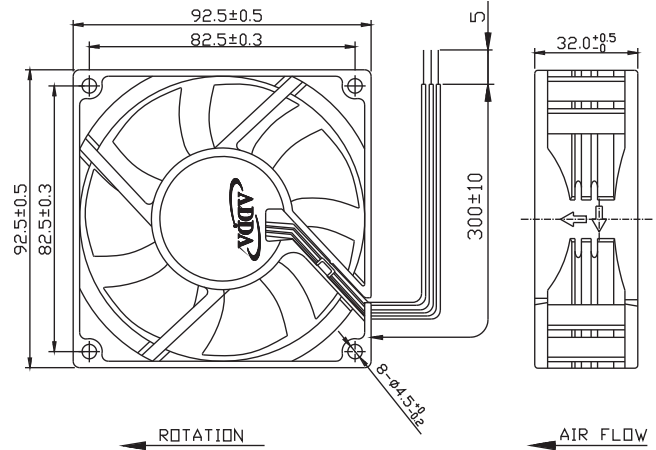




AD9232 SERIES

External Dimensions



Frame:Plastic(UL:94V-0)
 Impeller:Plastic(UL:94V-0)
 Lead wire:UL1007AWG24

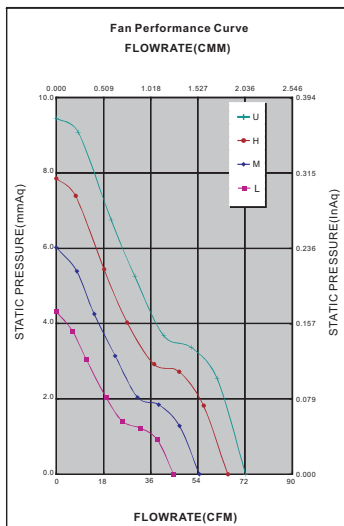
Specifications(Nominal)

*:Noise is measured at the distance of one (1) meter from the axis of intake.

Bearing type: ◎=Ball ※=Sleeve ●=Hypro bearing

Frame size (mm)	Model No.	Bearing System Type	Rated Voltage (VDC)	Current (A)	Power (W)	Rated Speed (rpm)	Maximum AirFlow (CMM)	Maximum AirFlow (CFM)	Maximum Pressure (InAq)	Maximum Pressure (mmAq)	*Noise Level (dB/A)	Weight (g)
92x92x32	AD0912LB-Y73GL(N)	◎	12	0.16	1.92	2500	1.270	44.809	0.170	4.320	36.6	140.0
	AD0912MB-Y73GL(N)	◎	12	0.24	2.88	3000	1.550	54.624	0.237	6.020	41.5	
	AD0912HB-Y73GL(N)	◎	12	0.38	4.56	3500	1.850	65.392	0.309	7.850	46.7	
	AD0912UB-Y73GL(N)	◎	12	0.45	5.40	3900	2.040	72.247	0.372	9.450	50.3	
	AD0924LB-Y73GL(N)	◎	24	0.08	1.92	2500	1.270	44.809	0.170	4.320	36.6	
	AD0924MB-Y73GL(N)	◎	24	0.14	3.36	3000	1.550	54.624	0.237	6.020	41.5	
	AD0924HB-Y73GL(N)	◎	24	0.21	5.04	3500	1.850	65.392	0.309	7.850	46.7	
	AD0924UB-Y73GL(N)	◎	24	0.24	5.76	3900	2.040	72.247	0.372	9.450	50.3	
	AD0948LB-Y73GL(N)	◎	48	0.06	2.88	2500	1.270	44.809	0.170	4.320	36.6	
	AD0948MB-Y73GL(N)	◎	48	0.08	3.84	3000	1.550	54.624	0.237	6.020	41.5	
	AD0948HB-Y73GL(N)	◎	48	0.10	4.80	3500	1.850	65.392	0.309	7.850	46.7	
	AD0948UB-Y73GL(N)	◎	48	0.13	6.24	3900	2.040	72.247	0.372	9.450	50.3	

Specifications subject to change without notice.



*Motor protective circuit and third lead wire functions

0	1	2	3	4	6	7	8	9	A	B
	✓	✓	✓							

*Safety approvals

✓	✓		✓	✓

X-ON Electronics

Largest Supplier of Electrical and Electronic Components

Click to view similar products for [DC Fans](#) category:

Click to view products by [ADDA](#) manufacturer:

Other Similar products are found below :

[614R](#) [AUB0612L](#) [AFB0948HH-S687](#) [G2E085-AA05-10](#) [4318/12T](#) [AUB0912H-F00](#) [3412N/2ME](#) [W2G110-AM39-01](#) [8412GLV](#) [8412NGL-12](#) [6448-384](#) [4114N/17-251](#) [4318/2R](#) [4412F/2D](#) [424JMU](#) [4414/2HH](#) [4112 N/12GL-175](#) [9GA0912F402](#) [9GA0812B20011](#)
[AFB0824SHBAV1](#) [DV5214/2NP-230](#) [9GA0912H4021](#) [THC1548MGDJJ](#) [9GA0812B2001](#) [GFB1224SHG](#) [8500NU](#) [9WG1212E101-E](#)
[3241.124](#) [DC0401012V2B-3T0](#) [ASFP14391](#) [ASFP64371](#) [ASFP64391](#) [ASFP84391](#) [ASFP92391](#) [9A0612G402](#) [AD5012HB-C71](#)
[AD5012MB-C71](#) [ASFP84372](#) [ASFP64372](#) [31100-000440-RS](#) [026758A](#) [514F](#) [MEC0381V1-000U-G99](#) [4292](#) [MF60152V1-1000U-G99](#)
[3610KL-04W-B50-D00](#) [109P0412K3023](#) [EE92251B1-000U-F99](#) [8218J/2H4P](#) [PF60381B1-000U-S99](#)