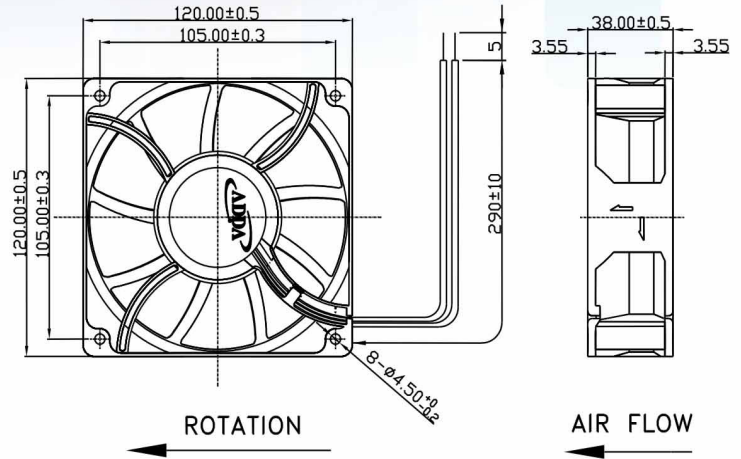


## AD12038GP SERIES



### External Dimensions



Frame: Plastic(UL:94V-0), Aluminum  
 Impeller: Plastic(UL:94V-0)  
 Bearing: Ball bearing  
 Lead wire: UL1007AWG24  
 VOLTAGE AVAILABLE: 12V, 24V, 48V

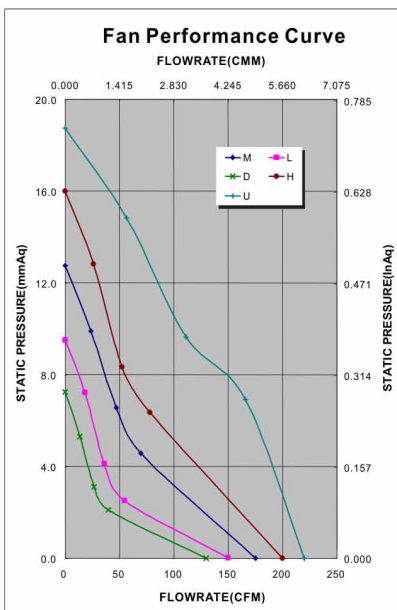
### Specifications(Nominal)

\*: Noise is measured at the distance of one (1) meter from the axis of intake.

Bearing type: ⊙=Ball ⊛=Sleeve ○=1B1S ●=Hypro bearing

Frame size (mm)	Model No.	Bearing System Type	Rated Voltage (VDC)	Rated Current (A)	Actual Current (A)	Rated Power (W)	Actual Power (W)	Rated Speed (rpm)	Maximum AirFlow (CMM)	Maximum AirFlow (CFM)	Maximum Pressure (InAq)	Maximum Pressure (mmAq)	*Noise Level (dB/A)	Weight (g)
120x120x38	AD1212LB-F91GP	⊙	12	0.87	0.70	10.44	8.40	3200	4.248	150.00	0.380	9.50	52.5	335.0
	AD1212MB-F91GP	⊙	12	1.50	0.96	18.00	11.52	3800	4.956	175.00	0.510	12.75	57.5	
	AD1212HB-F91GP	⊙	12	1.95	1.62	23.40	19.44	4300	5.664	200.00	0.640	16.00	61.0	
	AD1224DB-F91GP	⊙	24	0.30	0.23	7.20	5.52	2800	3.682	130.00	0.290	7.25	48.5	
	AD1224MB-F91GP	⊙	24	0.68	0.58	16.32	13.92	3800	4.956	175.00	0.510	12.75	57.5	
	AD1248DB-F91GP	⊙	48	0.18	0.16	8.64	7.68	2800	3.682	130.00	0.290	7.25	48.5	
	AD1248LB-F91GP	⊙	48	0.22	0.18	10.56	8.64	3200	4.248	150.00	0.380	9.50	52.5	
	AD1248MB-F91GP	⊙	48	0.36	0.28	17.28	13.44	3800	4.956	175.00	0.510	12.75	57.5	
	AD1248HB-F91GP	⊙	48	0.52	0.44	24.96	21.12	4300	5.664	200.00	0.640	16.00	61.0	
AD1248UB-F91GP	⊙	48	0.68	0.58	32.64	27.84	4700	6.230	220.00	0.750	18.75	63.0		

Specifications subject to change without notice.



\*Motor protective circuit and third lead wire functions

0	1	2	3	4	6	7	8	9	A	B
	✓	✓	✓					✓		✓

\*Safety approvals

✓	✓		✓	✓

## X-ON Electronics

Largest Supplier of Electrical and Electronic Components

*Click to view similar products for [DC Fans](#) category:*

*Click to view products by [ADDA](#) manufacturer:*

Other Similar products are found below :

[614R](#) [AUB0612L](#) [AFB0948HH-S687](#) [G2E085-AA05-10](#) [4318/12T](#) [AUB0912H-F00](#) [3412N/2ME](#) [W2G110-AM39-01](#) [8412GLV](#) [8412NGL-12](#) [6448-384](#) [4114N/17-251](#) [4318/2R](#) [4412F/2D](#) [424JMU](#) [4414/2HH](#) [4112 N/12GL-175](#) [9GA0912F402](#) [9GA0812B20011](#)  
[AFB0824SHBAV1](#) [DV5214/2NP-230](#) [9GA0912H4021](#) [THC1548MGDJJ](#) [9GA0812B2001](#) [GFB1224SHG](#) [8500NU](#) [9WG1212E101-E](#)  
[3241.124](#) [DC1203812W2B-2T0](#) [DC0401012V2B-3T0](#) [ASFP14391](#) [ASFP64371](#) [ASFP64391](#) [ASFP84391](#) [ASFP92391](#) [9A0612G402](#)  
[AD5012HB-C71](#) [AD5012MB-C71](#) [ASFP84372](#) [ASFP64372](#) [31100-000440-RS](#) [026758A](#) [514F](#) [MEC0381V1-000U-G99](#) [4292](#) [MF40101V2-1000U-A99](#) [MF60152V1-1000U-G99](#) [3610KL-04W-B50-D00](#) [109P0412K3023](#) [EE92251B1-000U-F99](#)