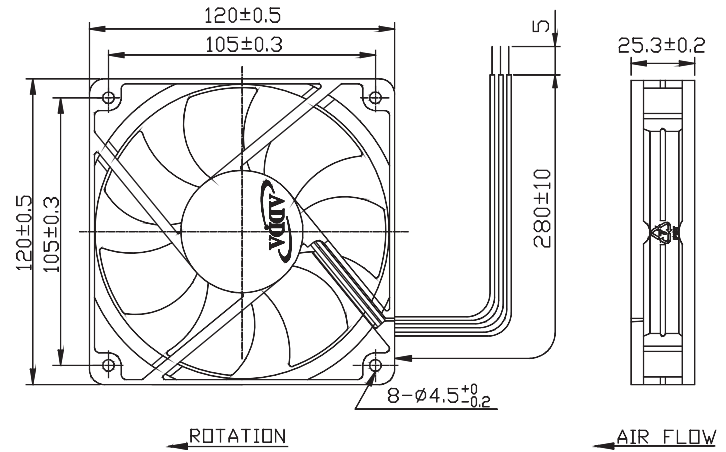




AD12025 SERIES

External Dimensions



Frame:Plastic(UL:94V-0)
 Impeller:Plastic(UL:94V-0)
 Lead wire:UL1007AWG24

Specifications(Nominal)

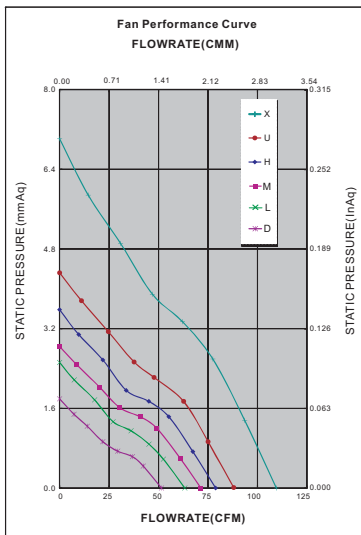
*Noise is measured at the distance of one (1) meter from the axis of intake.

Bearing type: ◎=Ball ※=Sleeve ●=Hypro bearing

Frame size (mm)	Model No.	Bearing System Type	Rated Voltage (VDC)	Current (A)	Power (W)	Rated Speed (rpm)	Maximum AirFlow (CMM) (CFM)	Maximum Pressure (InAq) (mmAq)	*Noise Level (dB/A)	Weight (g)
120x120x25	AD1212DB-A7BGL	◎ ※ ●	12	0.11	1.32	1500	1.457 51.500	0.070 1.778	27.8	156.0
	AD1212LB-A7BGL	◎ ※ ●	12	0.15	1.80	1800	1.791 63.293	0.099 2.541	34.8	
	AD1212MB-A7BGL	◎ ※ ●	12	0.16	1.92	2050	2.022 71.449	0.112 2.844	37.1	
	AD1212HB-A7BGL	◎ ※ ●	12	0.29	3.48	2200	2.232 78.902	0.141 3.581	39.3	
	AD1212UB-A7BGL	◎ ※ ●	12	0.39	4.68	2500	2.491 88.023	0.170 4.318	43.9	
	AD1212XB-A7BGL	◎ ※ ●	12	0.39	4.68	2500	3.101 109.583	0.276 7.010	49.2	
	AD1224DB-A7BGL	◎ ※ ●	24	0.07	1.68	1500	1.457 51.500	0.070 1.778	27.8	
	AD1224LB-A7BGL	◎ ※ ●	24	0.10	2.40	1800	1.791 63.293	0.099 2.541	34.8	
	AD1224MB-A7BGL	◎ ※ ●	24	0.13	3.12	2050	2.022 71.449	0.112 2.844	37.1	
	AD1224HB-A7BGL	◎ ※ ●	24	0.13	3.12	2200	2.232 78.902	0.141 3.581	39.3	
	AD1224UB-A7BGL	◎ ※ ●	24	0.19	4.56	2500	2.491 88.023	0.170 4.318	43.9	
	AD1224XB-A7BGL	◎ ※ ●	24	0.39	4.68	2500	3.101 109.583	0.276 7.010	49.2	
	AD1248HB-A7BGL	◎ ※ ●	48	0.10	4.80	2200	2.232 78.902	0.141 3.581	39.3	
	AD1248UB-A7BGL	◎ ※ ●	48	0.12	5.76	2500	2.491 88.023	0.170 4.318	43.9	

Specifications subject to change without notice.

The specification for bearing type is for reference only, for more bearing types information, please contact with your ADDA sales representative, thanks!!
 (網頁上呈現產品軸承資訊均以2Ball為主, 若需其他產品資訊請聯絡您在ADDA的業務代表, 謝謝!!)



*Motor protective circuit and third lead wire functions

0	1	2	3	4	6	7	8	9	A	B
✓	✓	✓	✓	✓	✓		✓	✓		✓

*Safety approvals

✓	✓		✓	✓

X-ON Electronics

Largest Supplier of Electrical and Electronic Components

Click to view similar products for [DC Fans](#) category:

Click to view products by [ADDA](#) manufacturer:

Other Similar products are found below :

[614R](#) [6424/2HP-210](#) [8312R](#) [DV4118/2NP-183](#) [AFB0948HH-S687](#) [PFB0824DHE-8B72](#) [G2E085-AA05-10](#) [RD20S-4/210660](#) [4318/12T](#)
[4418HH](#) [AUB0912H-F00](#) [3412N/2ME](#) [K2E225-RA92-09](#) [4184N/2XR](#) [5214N2HH](#) [614J2HHPR-010](#) [8412NGL-12](#) [4114N/12HHR-297](#)
[4656](#) [ZWR-903](#) [4112N12GL-175](#) [KD2406PKB2.\(2\).GN](#) [AFB1248HHE](#) [AFB1212LE-F00](#) [FAN-SCH-1](#) [MF60151V1-1000U-G99](#)
[PF80252V1-1000U-G99](#) [PF92252V1-1000U-G99](#) [4112N/2H6P](#) [4114N/17-251](#) [6212NH](#) [622/2N](#) [712F-011](#) [8218J/2NP-181](#) [W1G180-AB47-](#)
[15](#) [FAA1-12038NBKW31-A](#) [6318N/2TDP](#) [6318N/2H3PU](#) [6318HU](#) [424JMU](#) [PMD1206PTVX-A.U.GN](#) [PF80251B2-000U-F99](#)
[EF40101BX-1000U-G99](#) [AD1224LB-A71GL](#) [9GA0924L4021](#) [9GA0924M4021](#) [9GA0924M4011](#) [9GA0824B20011](#) [9GA0812A2D0011](#)
[9GA0912M4D011](#) [9GA0924W4D01](#)