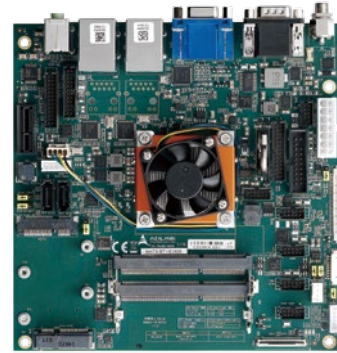


AmITX-BT-I

Mini-ITX Industrial Motherboard with 4th Gen Intel® Atom™ Processor E3800 Series SoC

Features

- Single, dual or quad core Intel® Atom™ Processor E3800 Series and Celeron® SoC
- Up to 8 GB Dual SODIMM socket DDR3L at 1333MHz
- 18/24-bit dual channel LVDS and HDMI
- OpenGL 3.0, OpenCL 1.2, DX11, H.264, MPEG2, MCV, VC-1, VP8 support
- Supports Smart Embedded Management Agent (SEMA®) functions
- Extreme Rugged Operating Temperature: -40°C + 85°C (build option, Atom™ E38xx series only)



Specifications

Processor & System

CPU

Atom™ E3845 1.91 GHz 542/792 (Turbo) 10W (4C/1333)
 Atom™ E3825 1.33 GHz 533 (No Turbo) 6W (2C/1066) Atom™ E3827 1.75 GHz
 533/792 (Turbo) 8W (2C/1333)
 Atom™ E3826 1.46 GHz 533/667 (Turbo) 7W (2C/1066)
 Atom™ E3815 1.46 GHz 400 (No Turbo) 5W (1C/1066)
 Celeron® N2930 1.83 GHz, 313/854 (Turbo) 7.5W (4C/1333)
 Celeron® J1900 2.00 GHz, 688/854 (Turbo) 10W (4C/1333)

Supports single, dual or quad Out-of-Order Execution (OOE) processor cores, Intel® VT-x, Intel® SSE4.1 and SSE4.2, Intel® 64 architecture, IA 32-bit, PCLMULQDQ Instruction DRNG, Intel® Thermal Monitor (TM1 & TM2)
 Note: the availability of the features dependent on processor SKU

Memory

Dual channel non-ECC 1333/1066 MHz DDR3L memory up to 8GB in dual stacked SODIMM sockets

BIOS

AMI EFI 8MB SPI BIOS

SEMA Support

Supports: Voltage/Current monitoring, Power sequence debug support, AT/ATX mode control, Logistics and Forensic information, Flat Panel Control, General Purpose I2C, Failsafe BIOS (dual BIOS), Watchdog Timer and Fan Control

Debug Header

40-pin multipurpose flat cable connector. Use in combination with DB-40 debug module providing BIOS POST code LED, BMC access, SPI BIOS flashing, Power Testpoints, Debug LEDs

I/O Interfaces

Expansion Slots

1x PCIe x1 slot compliant with PCI Express Base 2.0 specification
 1x Mini-PCIe full card support with USB and SIM card socket
 1x mSATA full card support with USB

Serial ATA

2x SATA 3.0 Gbps port (one shared with mSATA)

USB

4x USB 3.0 on rear I/O
 2x USB 2.0 via front panel header
 2x USB 2.0 via onboard header
 1x USB 2.0 on Mini-PCIe and 1x USB 2.0 on mSATA slot
 KB/MS

1x PS/2 internal header

Serial Ports

1x RS-232 on rear I/O, 1x RS-232/422/485 on rear I/O
 2x RS-232 and 2x RS-232/422/485 (with 5V/12V optional) support on internal headers

Digital IO

10x GPI, 10x GPO on internal feature connector

Specifications

- **Onboard Storage**

- eMMC**

- Optional soldered eMMC with extra space 8-64GB capacity

- **Audio**

- Audio Codec**

- Realtek ALC886

- Interfaces**

- Line-out, Mic-in on rear I/O

- 7.1 channel signals and S/PDIF output on internal header

- **Display**

- Graphics Core**

- Intel® Gen7 graphics core

- VGA**

- Analog VGA up to 1920x1200 @ 60 Hz

- HDMI**

- Supports HDMI 1.3a, up to 2560 x 1600 x 24bpp @ 60 Hz

- LVDS**

- Single/Dual channel 24-bit up to 1920 x 1200 @ 60 Hz, support non-EDID type

- **Ethernet**

- Controller: 2x Intel® i211AT (MAC/PHY) Ethernet controller

- Interface: PCIe x1 bus

- Wake-on-LAN: Yes

- **Power**

- Standard Input**

- ATX = 12V±5% / 5Vsb ±5% from internal header

- AT = 12V±5% from internal header or external screw connector

- Peripherals Output**

- Onboard headers for fan and SATA power

- **Mechanical and Environmental**

- Dimensions: 170 mm x 170 mm (L x W)

- Operating Temp.**

- Standard: 0°C to 60°C

- Extreme Rugged™: -40°C + 85°C

- (build option, Atom™ E38xx series only)

- Humidity**

- 5-90% RH operating, non-condensing

- 5-95% RH storage

- Shock and Vibration**

- IEC 60068-2-64 and IEC-60068-2-27

- MIL-STD-202F, Method 213B, Table 213-I, Condition A and Method 214A, Table 214-I, Condition D

- Relative Humidity**

- 10% to 90%, non-condensing

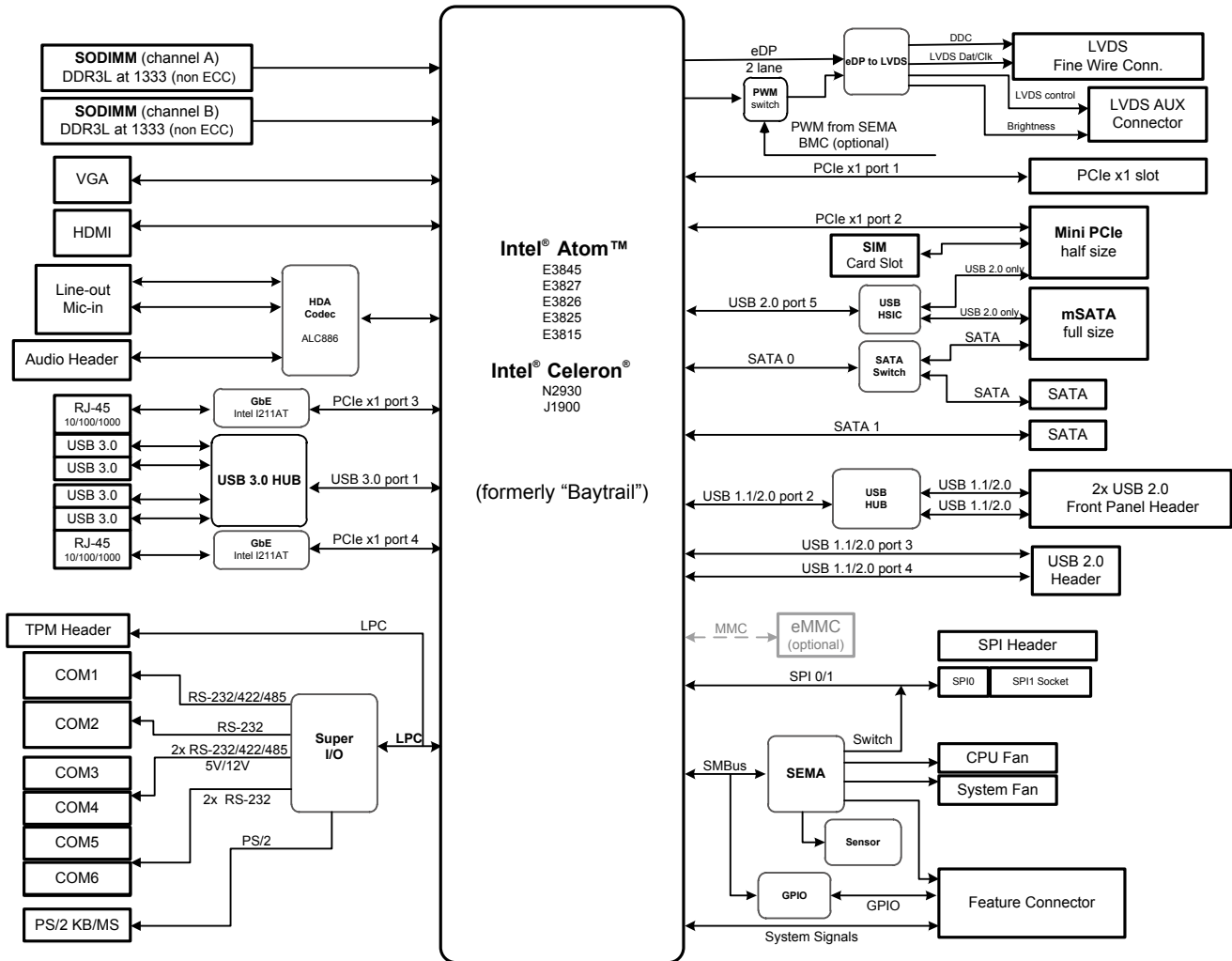
- HALT**

- Thermal Stress, Vibration Stress, Thermal Shock and Combined Test

Note: "build option" indicates an alternative BOM configuration to support additional or alternative functions that are not available on the standard product.

Be aware that these "build option" part numbers will need to be newly created and this will result in production lead times.

Functional Diagram



Ordering Information

- **AmITX-BT-I-E3845**
Mini-ITX motherboard with Intel® Atom™ E3845 processor at 1.91 GHz
- **AmITX-BT-I-E3827**
Mini-ITX motherboard with Intel® Atom™ E3827 processor at 1.75 GHz
- **AmITX-BT-I-E3826**
Mini-ITX motherboard with Intel® Atom™ E3826 processor at 1.46 GHz
- **AmITX-BT-I-E3825**
Mini-ITX motherboard with Intel® Atom™ E3825 processor at 1.33 GHz
- **AmITX-BT-I-E3815**
Mini-ITX motherboard with Intel® Celeron® E3815 processor at 1.46 GHz
- **AmITX-BT-I-N2930**
Mini-ITX motherboard with Intel® Celeron® N2930 processor at 1.83 GHz
- **AmITX-BT-I-J1900**
Mini-ITX motherboard with Intel® Celeron® J1900 processor at 2.00 GHz

Packing List

- **30-20872-1000**
ATX/AT Power Cable
- **30-20875-0000**
SATA Dual Power Cable
- **30-10057-0600**
SATA Cable
- **34-25313-0000**
Rear I/O Shield

Optional Accessories

- **30-20876-0000**
COM Port Cable, 1 Port, 25cm
- **30-20873-0000**
PS/2 KB/MS Cable, 40cm
- **30-20874-1000**
USB 2.0 Cable, 2 ports, 20cm
- **32-20493-0000**
4010- CJ CPU Cooler with Fan (0°C to 60°C)
- **32-20494-0000**
4020-CJ CPU Cooler with Fan (-40°C to 85°C)
- **32-20510-0000**
CU-CJ CPU Passive Heatsink (0°C to 60°C)

X-ON Electronics

Largest Supplier of Electrical and Electronic Components

Click to view similar products for [Single Board Computers](#) category:

Click to view products by [ADLINK Technology](#) manufacturer:

Other Similar products are found below :

[MANO882VPGGA-H81](#) [SSD3200W-S-SLC-INN 20-101-0738](#) [MVME61006E-2173R](#) [SHB230DGGA-RC](#) [CM2-BT2-E3825-ETT](#)
[IMB210VGGA](#) [IB915F-3955](#) [MI958F-16C](#) [S2600WFT](#) [S2600STB](#) [BBS2600BPS](#) [BLKNUC7I3DNHNC1978015](#) [DEV-17745](#)
[BEAGLEBOARD POCKET](#) [MICROSOM I2 + WIFI/BT](#) [HUMMINGBOARD-I2EX BASE + WIFI/BT](#) [HUMMINGBOARD-I4 PRO +](#)
[WIFI/BT](#) [VAB-600-B](#) [MITX-440-DVI-2E](#) [ATCA-7365-D-24GB](#) [NITX-315-DEVKIT](#) [A13-SOM-512](#) [NITX-315](#) [BANANA PI BPI-M1+](#)
[A13-SOM-WIFI-4GB](#) [AM3359-SOM-EVB-IND](#) [UPS-APLC2-A10-0432](#) [DFR0419](#) [UPS-APLP4-A10-0864](#) [UPS-APLP4-A10-0432](#) [UPS-](#)
[APLP4-A10-08128](#) [MI977F-Q27](#) [BBBLUE](#) [IB811F-I30](#) [DFR0470-ENT](#) [Nit6Q_i](#) [M2M \(TELIT\)](#) [RELAY](#) [PROFESSIONAL](#)
[GCS22.2.080.2.2.I](#) [GCS22.8.100.4.2.I](#) [GLS11.2.053.2.2.E](#) [A20-OLINUXINO-LIME-E16GS16M](#) [A20-OLINUXINO-LIME-S16M](#) [A20-](#)
[OLINUXINO-LIME2-E16GS16M](#) [A20-OLINUXINO-MICRO-S16M](#) [BANANA PI BPI-W2](#) [T2-OLINUXINO-LIME2-S16M-IND](#) [T2-](#)
[OLINUXINO-MICRO-E8GS16M-IND](#)