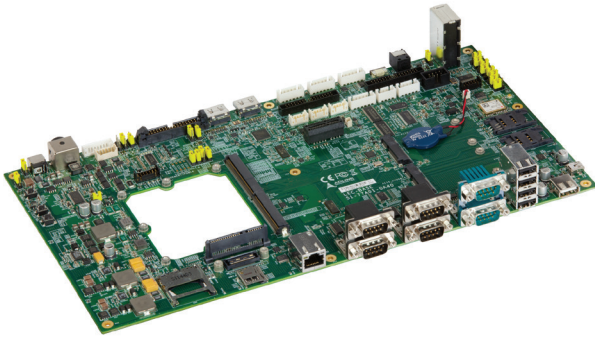


# LEC-BASE R1

## SMARC® Reference Carrier Board

LEC-BASE R1



### Features

- SMARC compliant carrier board with MXM3 connector
- Compatible with both short and full size SMARC modules
- Supports parallel RGB, LVDS and HDMI displays
- Two mini PCIe slots for expansion cards (e.g. Wifi, 3G, ...) (not included) and two SIM card slots
- 2 camera connectors
- 4x UART, 2x CAN
- USB hub



SMARC

\*LEC = Low Energy Computer-on-Module

### Specifications

#### Interfaces

Display	Combined HDMI, DP LVDS 18/24-bit or eDP Panel support signals (I <sup>2</sup> C, Power Enables, PWM)
Camera	Combined HDMI, 18/24-bit RGB Camera input 0: CSI-2 Camera input 1: RGB or CSI-4
SDIO	4-bit SD/SDIO card interfaces 8-bit eMMC/SD/SDIO interfaces
SPI	Off module boot use (optional) G-sensor ADXL345 BCCZ
I <sup>2</sup> S	2x SPI interface 3x I <sup>2</sup> S interface - Audio codec TLV320AIC23BPW - Line-in, Line-out, Mic - Optional with HDA
I <sup>2</sup> C	4x I <sup>2</sup> C - Power Management - HDMI - Camera 0 - Camera 1 or GP
Asynchronous Serial Port	4x asynchronous serial ports (UART) - Two with 2 wire handshake (RXD, TXD, RTS#, CTS#) - Two with data only (RXD, TXD) - Logic level interface
CAN Bus	1x CAN bus interface - Logic level signals from Module based CAN bus protocol controllers - RXD, TXD only
USB	5x USB - One with USB 2.0 OTG - 4x USB 2.0 Host operation (full speed and high speed)

PCI Express	One PCIe x1 link connector Two mini PCIe x1 slots PCIe Gen1 or Gen 2 (module dependent) Reference clock pair Full set of PCIe support signals PCIe wake signal
SATA	One SATA with power interface

#### Ethernet

RJ-45 10/100/1000 Ethernet (by LAN transformer)

#### S/PDIF

S/PDIF out for audio

#### Boot Source Select

Module: SPI/eMMC/NOR/NAND  
Carrier: SPI/eMMC/SD Card/SATA  
DIP Switch (4)

#### GPIO

12-pin header (including fan control and HDA reset)

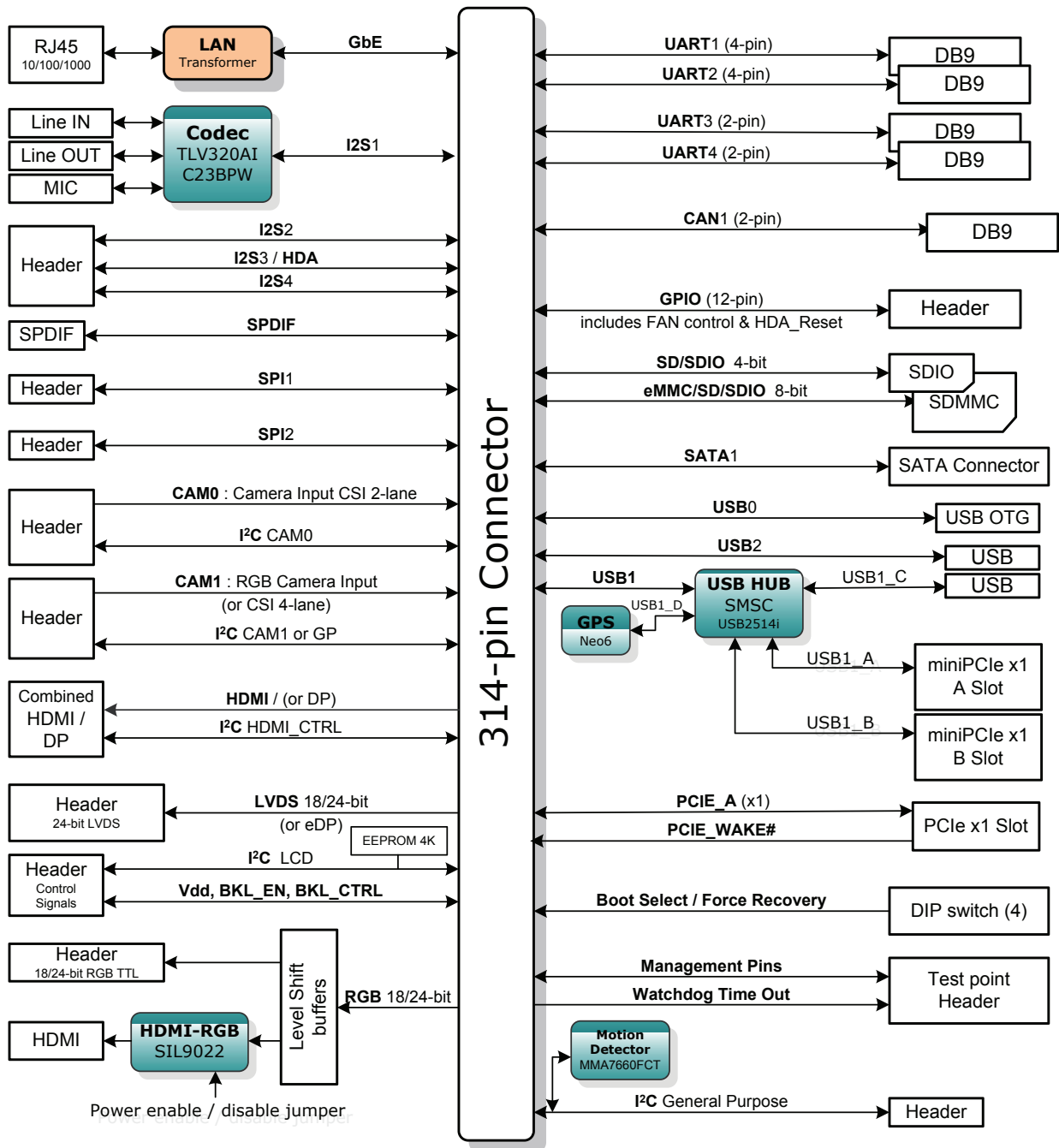
#### Alternate Function Blocks (AFB)

Dedicated AFB connector  
Pinout is module dependent (See SMARC specification)

#### Mechanical and Environmental

Dimension	330 mm x 175 mm (L x W)
Board Connector	MXM 314 pins

## Functional Diagram



## Ordering Information

### Modules

Model Number	Description/Configuration
LEC-BASE-R01	SMARC Reference Carrier Board, MXM 314 pins, 330 x 175 mm

## X-ON Electronics

Largest Supplier of Electrical and Electronic Components

*Click to view similar products for [Development Boards & Kits - ARM category](#):*

*Click to view products by [ADLINK Technology manufacturer](#):*

Other Similar products are found below :

[SAFETI-HSK-RM48](#) [PICOHOBBITFL](#) [CC-ACC-MMK-2443](#) [TWR-MC-FRDMKE02Z](#) [EVALSPEAR320CPU](#) [EVB-SCMIMX6SX](#)  
[MAX32600-KIT#](#) [TMDX570LS04HDK](#) [TXSD-SV70](#) [OM13080UL](#) [EVAL-ADUC7120QSPZ](#) [OM13082UL](#) [TXSD-SV71](#)  
[YGRPEACHNORMAL](#) [OM13076UL](#) [PICODWARFFL](#) [YR8A77450HA02BG](#) [3580](#) [32F3348DISCOVERY](#) [ATTINY1607](#) [CURIOSITY](#)  
[NANO](#) [PIC16F15376](#) [CURIOSITY NANO BOARD](#) [PIC18F47Q10](#) [CURIOSITY NANO](#) [VISIONSTK-6ULL V.2.0](#) [80-001428](#) [DEV-17717](#)  
[EAK00360](#) [YR0K77210B000BE](#) [RTK7EKA2L1S00001BE](#) [MAX32651-EVKIT#](#) [SLN-VIZN-IOT](#) [USB-202](#) [MULTIFUNCTION DAQ](#)  
[DEVICE](#) [USB-205](#) [MULTIFUNCTION DAQ DEVICE](#) [ALLTHINGSTALK](#) [LTE-M RAPID DEV. KIT](#) [LV18F V6](#) [DEVELOPMENT](#)  
[SYSTEM](#) [READY FOR AVR BOARD](#) [READY FOR PIC BOARD](#) [READY FOR PIC \(DIP28\)](#) [EVB-VF522R3](#) [AVRPLC16](#) [V6 PLC](#)  
[SYSTEM](#) [MIKROLAB FOR AVR XL](#) [MIKROLAB FOR PIC L](#) [MINI-AT BOARD - 5V](#) [MINI-M4 FOR STELLARIS](#) [MOD-09.Z](#) [BUGGY](#)  
[+ CLICKER 2 FOR PIC32MX + BLUETOOT](#) [1410](#) [LETS MAKE PROJECT PROGRAM. RELAY PIC](#) [LETS MAKE - VOICE](#)  
[CONTROLLED LIGHTS](#) [LPC-H2294](#) [DSPIC-READY2 BOARD](#)