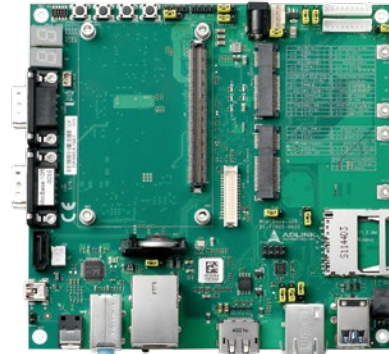


miniBASE-10R

COM Express® Type 10 Reference Carrier Board

Features

- Carrier board for ADLINK Type 10 modules (excluding nano-TC/TCR)
- 2x USB 3.0, 2x USB 2.0, and 1x USB client
- Supports DisplayPort and LVDS (eDP optional)
- 1x SD card slot
- 2x Mini PCIe card slots (one supports mSATA cards)
- 2x RJ-45 LAN connectors
- Conforms to COM Express Carrier Design Guide rev. 2.0
- Supports Smart Battery and 19V adapter power supply



Specifications

• Form Factor

Core module interface

PICMG® COM Express® Revision 2.1

Supports Type 10 modules in Mini form factor

Dimensions

150 mm x 142 mm

• BIOS/Debug

POST LEDs

Onboard diagnostics for BIOS POST code data and address on LPC bus

Secondary BIOS

Onboard socket for secondary SPI flash

• Audio

Audio Codec

Realtek ALC262 on DB-Audio2 daughter board (optional)

Interface

Line-in, Line-out, Mic-in on DB-Audio2 daughter board (optional)

Audio

Realtek audio codec

Digital I/O

SMBus to GPIO bridge

• LAN

GbE controllers

Dual Intel GbE Controller i210 (one from COM Express module, one from carrier board)

• Connectors and Interfaces

COM Express: 1x 220-pin (Type 10)

LVDS: 1x onboard header

Display Port: 1x onboard header

Audio: Mic/Line-in/Line-out on I/O panel

SATA: 1x SATA connector

Connectors and Interfaces (one supports mSATA cards)

LAN: 2x LAN supports, 10/100/1000BASE-T compatible RJ-45 on I/O panel

USB

2x USB 3.0 on I/O panel

2x USB 2.0 on I/O panel

1x USB client

Serial Port

2x DB-9 on I/O panel

SD card

1x socket onboard

Smart Battery

1x 10-pin header for Smart Battery management communications (connects to ADLINK BattMan board)

GPIO

GPIO 8-pin header

Module control bus

SMBus, I²C

Miscellaneous

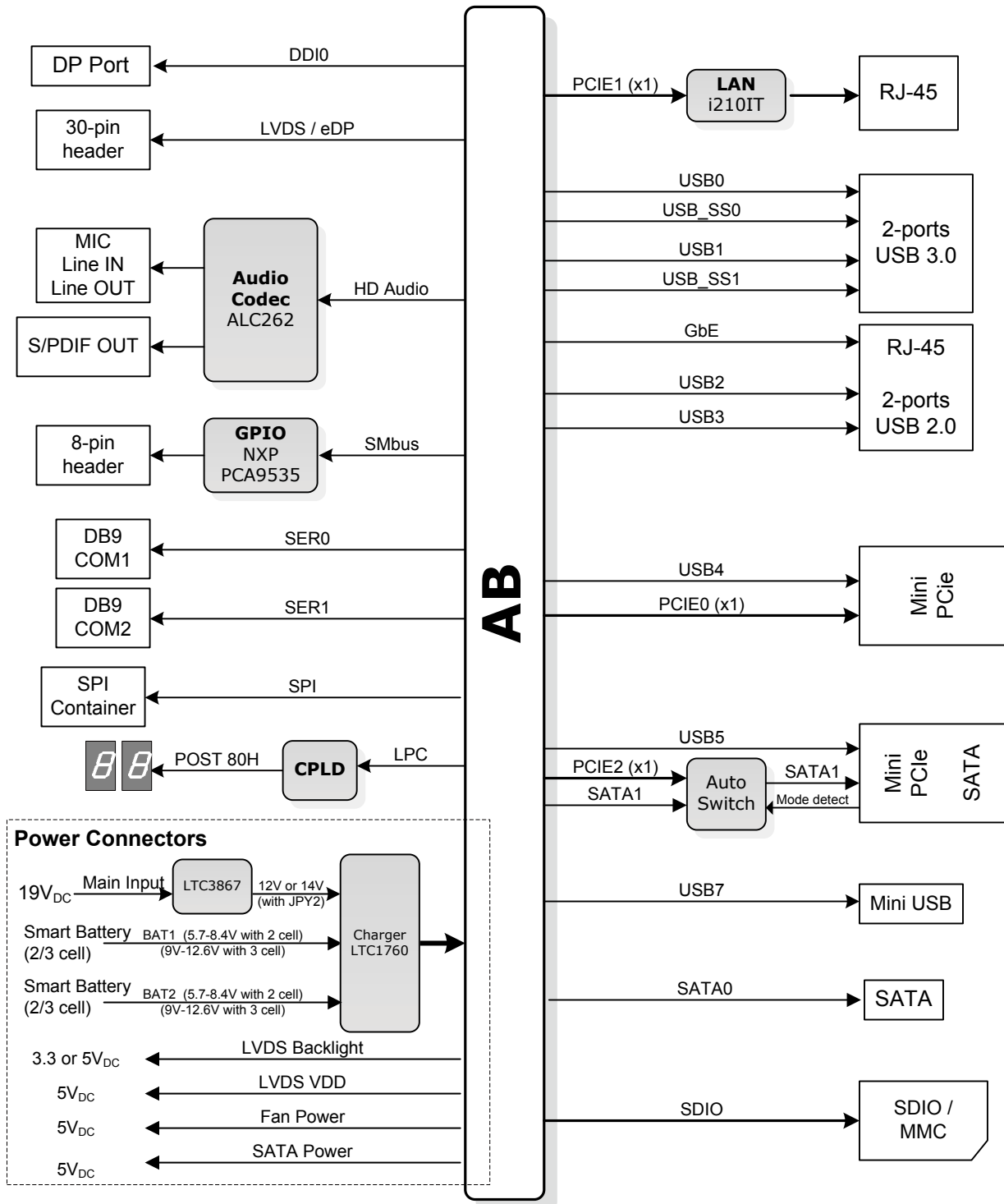
Reset button, Lid button, Sleep button, Power button, Power LED, HDD LED

Ordering Information

• miniBASE-10R

COM Express® Type 10 Reference Carrier Board

Functional Diagram



X-ON Electronics

Largest Supplier of Electrical and Electronic Components

Click to view similar products for [Development Boards & Kits - x86 category](#):

Click to view products by [ADLINK Technology manufacturer](#):

Other Similar products are found below :

[conga-MEVAL](#) [iQ7-DB-MATX-R10](#) [IT6/COMe Carrier](#) [DFR0453](#) [ETX-Proto](#) [Q7-BASE-R01](#) [Starterkit-CFE-E-2176M-3DIMM/M48G](#)
[Starterkit-COM Express 6](#) [Starterkit-COM Express 6 PLUS](#) [VIZI-AI LEC-AL-E3940-AI-4G-32G/EMEA](#) [VPX-R300](#) [AKX00002](#)
[AKX00002SL](#) [CEB94701](#) [7000-54864-102-101](#) [ARDUINO2.AL.B](#) [ARDUINO.AL.B](#) [GT.PDKW](#) [IOTGTWY.DK110](#) [IOTGTWY.DK200](#)
[IOTGTWY.DK300](#) [IOTGTWY.DK50](#) [MIKROE-2582](#) [102010028](#) [110060064](#) [110060382](#) [110060577](#) [SOM-DB5800-00A2E](#) [ROM-](#)
[DB7500-SCA1E](#) [conga-QEVAL/Qseven 2.0](#) [conga-QKIT](#) [X7EVAL/ind](#) [68300-0000-00-0](#) [MIKROE-2546](#) [DEV-13033](#)