

# MPCI-VGA

Mini-PCI Module

Volari Z9M GPU



## Features

High Performance 2D Accelerator

High Efficient BroadBahn™ Memory Architecture

VGA Interface

LVDS Interface (optional, see note)

High Performance LVDS Interface

MiniPCI Bus Interface

## Specifications

**Board Format** MiniPCI,  
59.75 mm x 50.95 mm

**Processor** Volari Z9M GPU  
Built-in hardware command queue, Direct Draw Accelerator, GDI 2000 Accelerator  
Built-in an 1T pipelined 64-bit BITBLT graphics engine with the following functions:

- 256 raster operations
- Rectangle fill
- Color expansion
- Enhanced color expansion
- Line-drawing with styled pattern
- Built-in bytes pattern registers
- Built-in 8x8 mask registers
- Rectangle clipping
- Transparent BitBlt with source and destination keys
- Source data in command queue Bitblt

Supports memory-mapped, zero wait-state, burst engine write  
Built-in 64x64x2 bit-mapped mono hardware cursor  
Maximum 256MB frame buffer with linear addressing  
Built-in source read-buffer to minimize engine wait-state  
Built-in destination read-buffer to minimize engine wait-state

**RAM** Integrated 8 MByte DDR SDRAM memory

**VGA** up to 1600 x 1200 x 16

**LVDS** up to 1600 x 1200  
18 bit display support  
(optional, see note)

**DDC** Supports DDC1, DDC2B and DDC 3.0 specifications

**Operation Temperature** 0°C...+60°C (commercial, all versions)  
-20°C...+60°C (industrial, all versions)  
-40°C...+85°C (extended, optional)

**MTBF** t.b.d.

**Power Supply** +5 V, +3.3 V

**Current Consumption** 50 mA @ 5 V  
550 mA @ 3.3 V

**Display Backlight** Yes

**BIOS Compatibility** Standard VGA

**PCI Bus** Mini PCI bus

**Operating Systems** Drivers for Windows, Linux

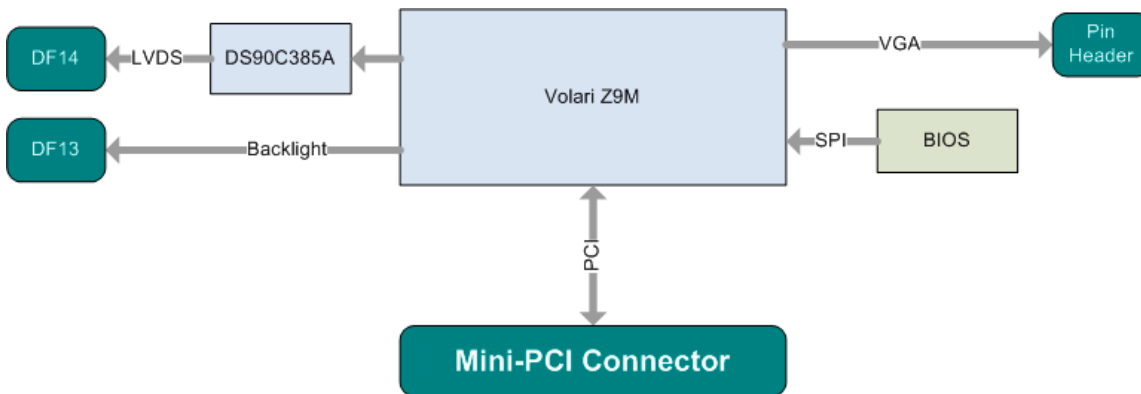
Note: Chip supports only either VGA or LVDS. Concurrent operation is not supported.  
Optional LVDS requires a BIOS change.

# MPCI-VGA

Mini-PCI Module  
Volari Z9M GPU



## Block Diagram



## Ordering Information

Ordering Number	Description
706-0017-10	MPCI-VGA MiniPCI VGA board with XGI VOLARI Z9M, 8 MB RAM onboard, VGA output. Includes VGA adapter cable. Operating temp. range: -0°C ... +60°C
806-0017-10	MPCI-VGA MiniPCI VGA board with XGI VOLARI Z9M, 8 MB RAM onboard, VGA output. Includes VGA adapter cable. Operating temp. range: -20°C ... +60°C
906-0017-10	MPCI-VGA MiniPCI VGA board with XGI VOLARI Z9M, 8 MB RAM onboard, VGA output. Includes VGA adapter cable. Operating temp. range: -40°C ... +85°C

10/10 - Specifications subject to change without notice - ©LIPPERT GmbH - Printed in Germany  
All mentioned trademarks are the properties of their respective holders.

## **X-ON Electronics**

Largest Supplier of Electrical and Electronic Components

*Click to view similar products for [Video Modules](#) category:*

*Click to view products by [ADLINK Technology](#) manufacturer:*

Other Similar products are found below :

[conga-HDMI ADD2 Card](#) [96VG-2G-PE-MA2](#) [PCIe-CPL64](#) [PCIe-GIE74](#) [PCIe-GIE74 PRO](#) [PCIe-GIEIMX](#) [PCIe-GIENVQ](#) [DVP-7011HE](#)  
[DVP-7031HE](#) [DVP-7633HE](#) [DVP-7634HE](#) [HDC-502E-R10](#) [HDC-701EL-R10](#) [IGCME-1300-R11](#) [NS-CA001](#) [NS-CA002](#) [DVP-7630HE](#)  
[DVP-7635E](#) [DVP-7633E](#) [DVP-7030HE](#) [DVP-7030E](#) [DVP-7014HE](#) [DVP-7012HE](#) [DVP-7610HE](#) [DVP-7641E](#) [SEN-16299](#)