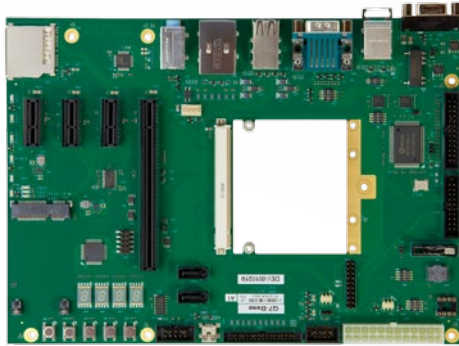


Q7-BASE

Qseven® Reference Carrier Board

NEW



Features

- Qseven compliant, supports all mandatory I/Os
- Audio Codec ALC886
- Super I/O controller W83726DHG
- 7-segment POST code display
- CAN transmitter with isolation



Specifications

Interfaces

Displays	Combined HDMI/DP via graphics card Dual channel LVDS 18/24-bit with backlight connector
SDIO	4/8-bit SDIO for MMC/SD
SPI	1x SPI interface 1x SMBus 1x misc
HD Audio	1x HD audio codec ALC886 1x line in 1x line out 1x microphone 1x S/PDIF in/out 1x I ² C
I ² C	1x I ² C
Asynchronous Serial Port	1x asynchronous serial port (UART)
CAN Bus	1x CAN bus interface
USB	1x USB 3.0 5x USB 2.0 host 1x USB 2.0 client
PCI Express	3x PCIe x1 1x PCIe Mini Card
SATA	2x SATA
Gigabit Ethernet	1x GbE
S/PDIF	S/PDIF in/out
Boot Source Select	SPI, eMMC, SD Card, SATA
Miscellaneous	LPC/TPM connector 2x COM 1x LPT 2x PS/2 for keyboard and mouse 7-segment display for BIOS post code Status LEDs and control buttons

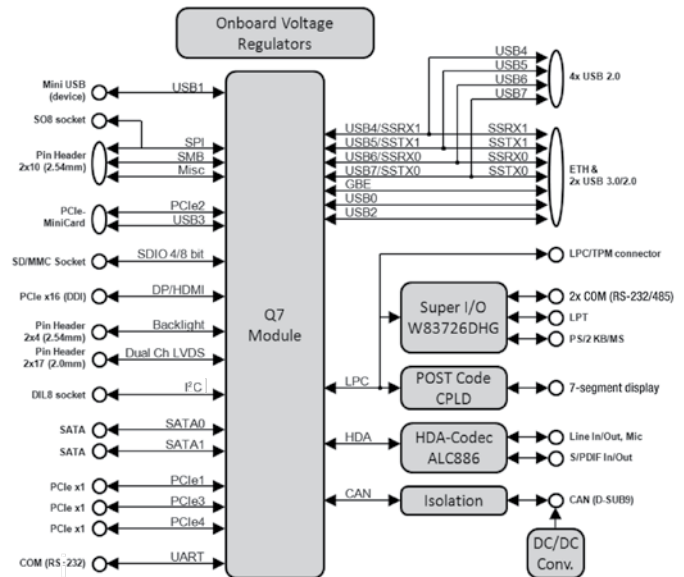
Power

Power Modes	ATX/AT mode
Standard Voltage Input	5.0V ±5%, ±50mV ripple, 12V, 3.3V from ATX connector
Standby Voltage Input	5.0V ±5%, ±50mV ripple from ATX connector
RTC Voltage Input	2.7V to 3.3V, depending on module

Mechanical and Environmental

Form Factor	Mini-ITX
Dimension	170 mm x 170 mm
Board Connector	MXM 230-pin edge connector

Functional Diagram



Ordering Information

Modules

Model Number	Description/Configuration
Q7-BASE-R01	Qseven Reference Carrier Board for Qseven compliant modules

X-ON Electronics

Largest Supplier of Electrical and Electronic Components

Click to view similar products for [Development Boards & Kits - x86 category](#):

Click to view products by [ADLINK Technology manufacturer](#):

Other Similar products are found below :

[conga-MEVAL](#) [iQ7-DB-MATX-R10](#) [IT6/COMe Carrier](#) [DFR0453](#) [Express-BASE6](#) [Q7-BASE-R01](#) [Starterkit-CFE-E-2176M-3DIMM/M48G](#)
[Starterkit-COM Express 6](#) [Starterkit-COM Express 6 PLUS](#) [VIZI-AI LEC-AL-E3940-AI-4G-32G/EMEA](#) [VPX-R300](#) [AKX00002](#)
[AKX00002SL](#) [CEB94701](#) [7000-54864-102-101](#) [ARDUINO2.AL.B](#) [ARDUINO.AL.B](#) [GT.PDKW](#) [IOTGTWY.DK110](#) [IOTGTWY.DK200](#)
[IOTGTWY.DK300](#) [IOTGTWY.DK50](#) [MIKROE-2582](#) [102010028](#) [110060064](#) [110060382](#) [110060577](#) [SOM-DB5800-00A2E](#) [ROM-](#)
[DB7500-SCA1E](#) [conga-QEVAL/Qseven 2.0](#) [conga-QKIT](#) [X7EVAL/ind](#) [68300-0000-00-0](#) [MIKROE-2546](#) [DEV-13033](#)