

BT-GP SERIES

General Purpose High Voltage Bench-top Power System

PRELIMINARY DATASHEET

The compact, high-voltage BT-GP Series of general purpose bench-top high voltage power systems offers adjustable output voltage, digital voltage reading, highly stable output, and low ripple. BT-GP Series units are available in AC Input or DC input, positive or negative polarity, and with the option of one or two output connectors.

Applications for BT-GP Series high-voltage power systems include electrostatic, air purification, ATE, test equipment, process fluid cleaning, hi pot testing, and laboratory research.



- Available from 0 to 1kV through 0 to 30kV
- Up to 30W of output power
- 3.5 digit red LED output voltage display
- Bench-top configuration
- Single positive or negative output

- Ruggedized aluminum enclosure
- Enters constant current mode when fault occurs
- Highly portable with built in carrying handle (AC model)
- Protection against overload, short circuit, arc, and reverse polarity

PARAMETER	CONDITIONS	MODELS								UNITS
INPUT		AC INPUT				DC INPUT				
Voltage Range	Full Power	90-260 VAC				22-26 VDC				-
OUTPUT		AC INPUT				DC INPUT				
Voltage Range	Nominal Input	0 to 1,000	0 to 2,000	0 to 4,000	0 to 6,000	0 to 1,000	0 to 2,000	0 to 4,000	0 to 6,000	VDC
Power	Nominal Input, Max Eout	0 to 30				0 to 30				Watts
Current	Iout Entire Output Voltage Range	30	15	7.5	5	30	15	7.5	5	mA
Voltage Range	Nominal Input	0 to 10,000		0 to 20,000		0 to 30,000		0 to 30,000		VDC
Power	Nominal Input, Max Eout	0 to 30				0 to 30				Watts
Current	Iout Entire Output Voltage Range	3.0		1.5		1.0		1.0		mA
Ripple	Full Load, Max Eout	<0.01				<0.3				%V p-p
Line Regulation	Max-Min Input, Max Eout, Full Load	N/A				<0.3%				VDC
Load Regulation	No Load to Full Load, Max Eout	<0.5%				<0.01%				VDC
Stability	30 Min. warmup, per 8 hr/ per day	<0.05%				<0.1%				VDC
PROGRAMMING & CONTROLS		ALL TYPES								
HV ON/OFF Controls		Front panel switch								-
ENVIRONMENTAL		AC INPUT				DC INPUT				
Coefficient	Over the Specified Temperature	100				200				PPM/°C
Storage Temperature	Non-Operating, Case Temp.	-20 to +60								°C
Operating Temperature	Full Load, Max Eout, Case Temp.	0 to +40								°C
Humidity	All Conditions, Standard Package	0 to 90% non-condensing								-

Specifications subject to change without notice.



Making High Voltage Easier!®

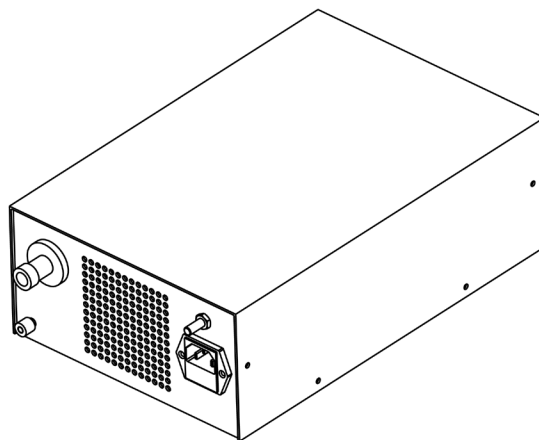
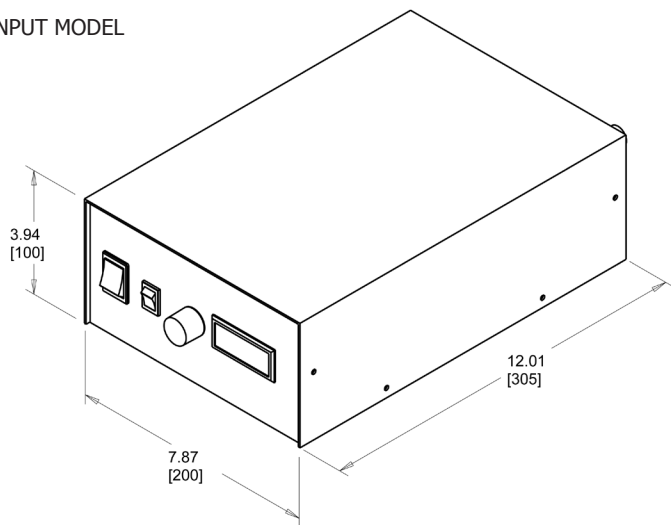
Higher Service, Higher Performance, Higher Reliability

©2011, UltraVolt Inc. All rights reserved.

BT-GP SERIES

General Purpose High Voltage Bench-top Power System

AC INPUT MODEL



CONSTRUCTION

Folded aluminum enclosure with blue paint finish

SIZE

Dimensions:

AC Input: 12.01 L x 7.99 W x 4.33 H in (305.0 L x 203.0 W x 110.0 H mm)

DC Input: 11.81 L x 6.30 W x 3.94 H in (300.0 L x 160.0 W x 100.0 H mm)

Weight:

AC Input: 6.17lbs (2.8kg)

DC Input: 7.94lbs (3.6kg)

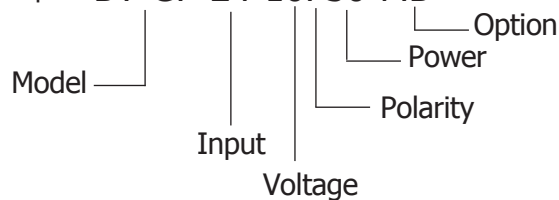
NOTES

For the outline drawing on the DC Input model, or for additional outputs or power levels, please contact the factory.

ORDERING INFORMATION

Model	Series name	BT-GP
Input	90-264VAC input	-AC
	24VDC input	-24
Voltage	0 to 1kVDC output	-1
	0 to 2kVDC output	-2
	0 to 4kVDC output	-4
	0 to 6kVDC output	-6
	0 to 10kVDC output	-10
	0 to 20kVDC output	-20
	0 to 30kVDC output	-30
Polarity	Positive Output	P
	Negative Output	N
Power	Watts Output	30
Option	Mounting bars (AC model)	-MB
	Mounting bars (DC model)	(Standard)
	Remote HV ON/OFF (DC model)	-REM

Example: BT-GP-24-10P30-MB



*The BT-GP Series is not available in all territories. Please contact the factory for details concerning sales in your area.

Rev. B 4/13



Making High Voltage Easier!®

1800 Ocean Avenue, Ronkonkoma, NY 11779
 Phone: 1-631-471-4444 Fax: 1-631-471-4696 www.ultravolt.com

X-ON Electronics

Largest Supplier of Electrical and Electronic Components

Click to view similar products for [Bench Top Power Supplies](#) category:

Click to view products by [Advanced Energy](#) manufacturer:

Other Similar products are found below :

[NL200](#) [PR20](#) [ZUPNC403](#) [Z60-7-L-U](#) [ZUPNC402](#) [GDM-8342](#) [GPIB](#) [PSW 250-4.5](#) [CPX200DP](#) [AX-8450A](#) [TPM-3003](#) [HMP2020](#)
[HMP2030](#) [HMP4040](#) [1320](#) [1350](#) [UT804](#) [1405](#) [1410](#) [1513](#) [1514](#) [1513](#) [1550](#) [1651A](#) [1665](#) [1666](#) [1667](#) [SDP-2405-000G](#) [1673](#) [1693](#) [1694](#)
[MX100TP](#) [1737](#) [1739](#) [1762](#) [1788](#) [TPM-3005](#) [1900](#) [1902B](#) [9174B](#) [GDM-8245](#) [GDM-8255A](#) [GDM-8341](#) [PSW 160-7.2](#) [PSW 30-36](#) [PSW](#)
[80-13.5](#) [Z10-20-LAN-U](#) [PSW 30-72](#) [QL355P SII](#) [Z36-6-LAN-U](#) [HCS-3400-USB](#)