



4-CHANNEL SUPERCAPACITOR AUTO BALANCING PCB

GENERAL DESCRIPTION

The SABMB16 is a 4-channel universal Printed Circuit Board (PCB) designed to be used with the entire ALD8100XX and ALD9100XX family of SAB™ MOSFETs for system designers and application developers. SAB MOSFETs are exclusive EPAD® MOSFETs that address leakage and voltage balance of supercapacitor cells connected in series. Imbalance of leakage currents, although much smaller in magnitude than charging or discharging currents, need to be balanced, as leakage currents are long-term DC values that integrate and accumulate over time. SAB MOSFETs and the SABMB16 boards are compact, economical and effective in balancing any size supercapacitors with little or no additional power dissipation. Each SABMB16 can balance two to four supercapacitors in a series stack. These boards can be cascaded to balance multiple series stacks of up to four supercapacitors each.

The SABMB16 is a simple, out-of-the-box plug-and-play PCB solution for development, prototyping, demonstration and evaluation, or production deployment. It is suited for balancing supercapacitor stacks ranging from two in series to hundreds in series, and for supercapacitors of 0.1F to 3000F and beyond. The average additional power dissipation due to use of SABMB boards is zero, which makes this method of supercapacitor balancing very energy efficient. It is especially suited for low loss energy harvesting and long life battery operated applications.

Supercapacitors, also known as ultracapacitors, when connected two, three or four cells in series can be balanced with ALD8100XX/ALD9100XX packages installed on the SABMB16 board. Supercapacitors, when connected more than four cells in series, can be balanced with more than one SABMB16 board (each with ALD8100XX/ALD9100XX packages installed).

SABMB16 is a blank PCB, ready for either ALD8100XX or ALD9100XX to be installed. For example, SABMB810025 is a SABMB16 board with one ALD810025SCLI installed and tested.

ORDERING INFORMATION

Part Number	Description
SABMB16	Blank Universal PCB
SABMB810025	SABMB16 Board with one ALD810025SCLI
SABMB910025	SABMB16 Board with two ALD910025SALI
SABMB8100XX	SABMB16 Board with one ALD8100XXSCLI
SABMB9100XX	SABMB16 Board with two ALD9100XXSALI

Note: SABMB8100XX/SABMB9100XX are optional with specific ALD8100XXSCLI or ALD9100XXSALI unit(s) installed. XX = 16, 17, 18, 19, 20, 21, 22, 23, 24, 25, 26, 27, 28, 29, 30.

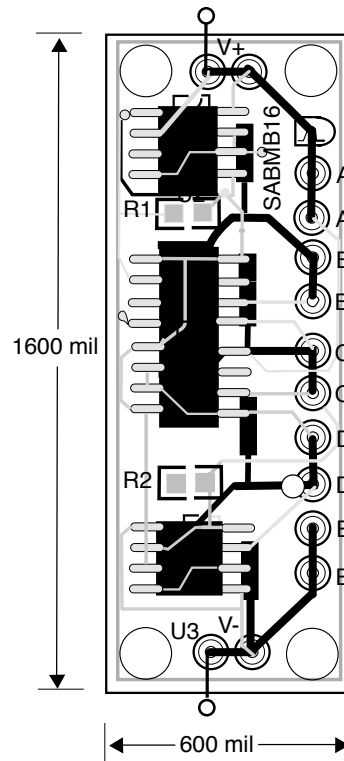
See page 4 for full listing of part numbers.

SABMB910025 is a SABMB16 board with two ALD910025SALI installed and tested. These are rated for industrial temperature of -40°C to +85°C.

The SABMB16 board includes the following features for flexibility in a variety of different applications:

- 1) Two ALD9100XX dual or one ALD8100XX quad SAB MOSFET units installed per board.
- 2) Two ALD9100XX and one ALD8100XX can be installed on the same SABMB16 board. The two ALD9100XX are connected in series, whereas the ALD8100XX is connected in parallel to the two ALD9100XX units.
- 3) Optional R1 and R2 resistors can be installed with values ranging from open circuit to 0.0Ω.
- 4) Optional reverse biased external clamping power diodes (schottky rectifiers) can be installed, on board where necessary, across each SAB MOSFET.
- 5) Multiple SABMB16 PCBs can be cascaded to form a series chain, paralleling a series-connected chain of supercapacitor cells.
- 6) Compact size of 0.6 in. by 1.6 in. with mounting holes.
- 7) Rated for RoHS compatible/industrial temperature range of -40°C to +85°C.

MECHANICAL DRAWING



* Magnified, not to scale

The ALD8100XX/ALD9100XX SAB MOSFET family offers the user a selection of different threshold voltages for various supercapacitor nominal voltage values and desired leakage balancing characteristics. Each SAB MOSFET generally requires connecting its V+ pin to the most positive voltage and its V- and IC pins to the most negative voltage within the package. Note that each Drain pin has an internal reverse biased diode to its Source pin, and each Gate pin has an internal reverse biased diode to V-. All other pins must have voltages within V+ and V- voltage limits within the same package unit.

Standard ESD protection facilities and handling procedures for static sensitive devices must also be used while installing the ALD8100XX/ALD9100XX units. Once installed, the connection configuration will protect the ALD8100XX/ALD9100XX units from ESD damage. When connected to a supercapacitor stack, the ALD8100XX/ALD9100XX is further protected from virtually any ESD damage due to the large capacitance of the supercapacitors, which sinks any ESD charge and thereby reduces any of the terminal voltages to minimal harmless values.

SABMB16 PRINTED CIRCUIT BOARDS

The SABMB16 Printed Circuit Board is supplied as a blank PCB board, made with RoHS compliant FR4 material, ready for mounting of up to two 8-lead ALD9100XX units or one 16-lead ALD8100XX unit. These units are also supplied and available with a 6-digit suffix, which denotes the specific ALD9100XX or ALD8100XX component mounted and tested on the PCB. All that is required of the user is to mount the PCB and wire the appropriate connections from the SABMB16 board to the respective supercapacitor nodes.

Each SABMB16 Printed Circuit Board has two 8-lead SOIC footprints, for up to two ALD9100XX units, and a 16-lead SOIC footprint, for one ALD8100XX, which is parallel connected to the two ALD9100XX footprints (See schematic diagram). It has terminals labeled V+, A to E, and V-. Each of these terminals has two wiring holes for easier connection of the same terminal node to two external connection points. V+ is directly connected to terminal A, which must be connected to the most positive voltage for the individual SABMB16 PCB board. V- is directly connected to terminal E, which must be connected to the most negative voltage present for the same SABMB16 board. All other terminals, namely B, C and D, must have voltages between V+ and V- for proper operation of the board. When cascade or daisy-chain connected, each SABMB16 board is self-contained and rated for 15.0V maximum.

When two supercapacitors are installed to be balanced by SAB MOSFETs, a single ALD9100XX unit can be mounted on either one of two 8-lead SOIC footprints on the SABMB16. The user then needs to connect the unused circuit traces to the appropriate terminals so that V+ and V- remain the most positive voltage and the most negative voltage for that SABMB16 board, respectively. For example, if only one ALD9100XX is used for the upper SOIC footprint, terminal C can be connected to terminal E, or V-. One convenient way to make this connection on the board is to install R2 with a value equal to 0Ω or use an external wire.

Any number of SABMB16 boards can be daisy-chain connected in series. For example, three SABMB16 boards, each with an ALD810025SCLI installed, can be connected in series to a 30V power supply, provided care is taken to insure that each SABMB16 board V- is connected to the V+ of the next SABMB16 board in series, such that each board would not have internal voltages from V+ to V- exceeding 10V ($30V/3 = 10V$).

The ALD8100XX/ALD9100XX is rated for reverse bias diode currents of up to 80mA maximum for each SAB MOSFET on board. Any reverse bias condition as a result of changing supercapacitor voltages, especially during fast supercapacitor discharge, could lead to some internal nodes temporarily reverse biased with surge current in excess of this limit. The SABMB16 board has additional optional TO277 footprints for mounting external schottky rectifiers (power diodes) to clamp such current transients. The user is advised to determine the various power and current limits, including temperature and heat dissipation considerations, when selecting a suitable component for such purpose. The appropriate level of derating and margin allowance must also be added to assure long term reliability of the PCB board.

SUPERCAPACITORS

Supercapacitors are typically rated with a nominal recommended working voltage established for long life at their maximum rated operating temperature. Excessive supercapacitor voltages that exceed the supercapacitor's rated voltage for a prolonged time period will result in reduced operating life and eventual rupture and catastrophic failure. To prevent such an occurrence, a means of automatically adjusting (charge-balancing) and monitoring the maximum voltage is required in most applications having two or more supercapacitors connected in series, due to the different internal leakage currents that vary from one supercapacitor to another.

Each supercapacitor has a tolerance difference in capacitance, internal resistance and leakage current. These differences create imbalance in cell voltages, which must be balanced so that any individual cell voltage does not exceed its rated max. voltage. Initially, cell voltage imbalance is caused by capacitance value differences. Supercapacitors selected from the same manufacturer make and model batch can be measured and matched to deliver reasonable initial cell voltages. Next, cell voltage imbalance due to individual cell leakage currents must be compensated.

The supercapacitor leakage current itself is a variable function of its many parameters such as aging, initial leakage current at zero input voltage, the material/construction of the supercapacitor, and the operating bias voltage. Its leakage is also a function of the charging voltage, the charging current, operating temperature range and the rate of change of many of these parameters. Supercapacitor balancing must accommodate these changing conditions.

By using the appropriate ALD SAB MOSFET and the appropriate SABMBXX board, users can compensate for all of these causes of imbalance and automatically balance supercapacitors.

ENERGY HARVESTING APPLICATIONS

Supercapacitors offer an important benefit for energy harvesting applications from a low energy source, by buffering and storing such energy to drive a higher power load.

For energy harvesting applications, supercapacitor leakage currents are a critical factor, as the average energy harvesting input charge must exceed the average supercapacitor internal leakage currents in order for any net energy to be harvested and saved. Often, the input energy is variable, meaning that its input voltage and current magnitude are not constant and may be dependent upon a whole set of other parameters such as the source energy availability, energy sensor conversion efficiency, changing environmental conditions, etc.

SAB MOSFETs used for charge balancing, due to their high input threshold voltages, would be completely turned off initially, consuming zero drain current while the supercapacitor is being charged, maximizing any energy harvesting gathering efforts. The SAB MOSFET does not become active until the supercapacitor is already charged to over 90% of its max. rated voltage. The trickle charging of supercapacitors with energy harvesting techniques tends to work well with SAB MOSFETs as charge balancing devices, as it is less likely to have high transient energy spurts resulting in excessive voltage or current excursions.

If an energy harvesting source only provides a few μA of current, the power budget does not allow wasting any of this current on capacitor leakage currents and power dissipation of resistor or operational amplifier based charge-balancing circuits. It may also be important to reduce long term leakage currents, as energy harvesting charging at low levels may take up to many days.

In summary, in order for an energy harvesting application to be successful, the input energy harvested must exceed all the energy required, due to the leakages of the supercapacitors and the charge-balancing circuits, plus any load requirements. With their unique balancing characteristics and near-zero charge loss, SAB MOSFETs are ideal devices for use in supercapacitor charge-balancing in energy harvesting applications.

BATTERY POWERED APPLICATIONS

Many battery powered circuits requiring a supercapacitor to boost power output can benefit from using SAB MOSFETs for supercapacitor balancing. The additional power burn by using SAB MOSFETs for supercapacitor stack balancing can actually be negative, as adding SAB MOSFETs can save supercapacitor leakage current and associated power dissipation by lowering the operating bias voltage of the leakier supercapacitor. Applications that depend on long life battery usage must take into account the supercapacitor leakage current and balancing circuit power burn because the currents involved are steady state DC currents that are continuous throughout the lifetime of the application and its battery life. The average power dissipation with the addition of the SABMB16 board is zero, provided the selection of the operating voltages and SAB MOSFETs are appropriate for the leakage currents of the supercapacitors specified.

CONNECTION TO OTHER SABMBXX PCBs

The SABMB16 is compatible with other SABMBXX boards and is designed to be used along with other SABMBXX boards connected in series to achieve balancing the corresponding number of supercapacitors installed in a series stack. For example, five supercapacitors in series can be balanced with one SABMB16 PCB and one SABMB2 PCB connected in series.

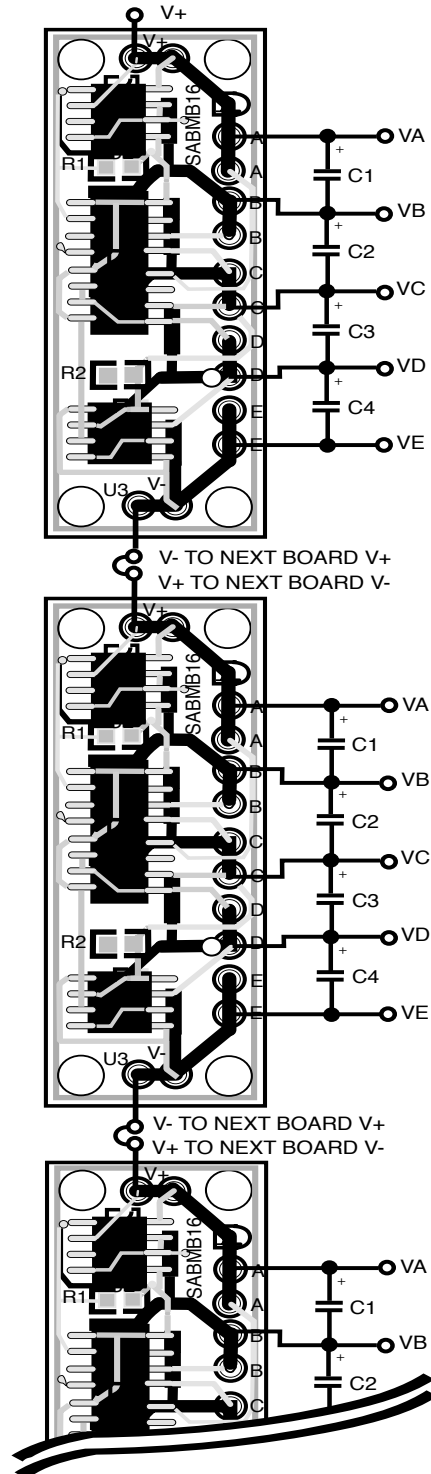
For more information on the CHARACTERISTICS OF SUPERCAPACITOR AUTO BALANCING (SAB™) MOSFETS, please refer to the following documents:

- *ALD8100XX/ALD9100XX FAMILY of SUPERCAPACITOR AUTO BALANCING (SAB™) MOSFET ARRAYS
- * Individual datasheet for chosen SAB MOSFET.

CAUTION:

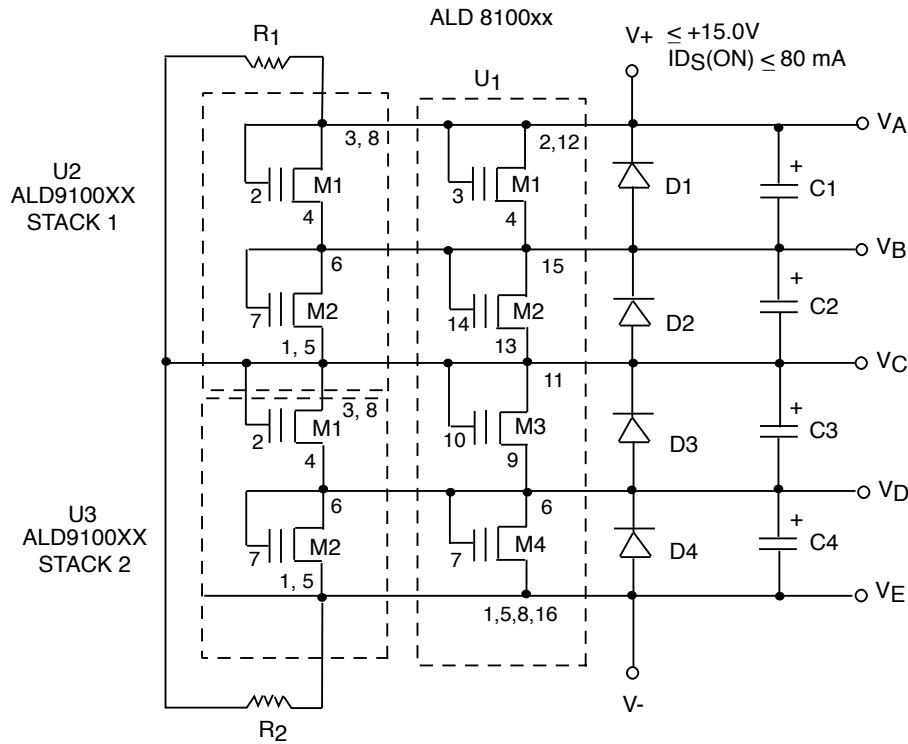
Users must limit the voltage across any ALD9100XX chip to 15.0V max.

SABMB16 PCB CONNECTION TO SUPERCAPACITORS C1, C2, C3, C4



* Magnified, not to scale

TYPICAL APPLICATION



NOTES

1. R1, R2: USER SPECIFIED VALUES FROM OPEN CIRCUIT TO ZERO (0.0) OHMS
2. U1: 16L SOIC ALD8100XXSCLI
U2, U3: 8L SOIC ALD9100XXSALI
3. D1, D2, D3, D4: OPTIONAL SCHOTTKY RECTIFIER FOR REVERSE CURRENT CLAMPING (TO277 FOOTPRINT)
4. C1, C2, C3, C4: SUPERCAPACITORS EXTERNAL TO THE SABMB16 PCB

PCB PRODUCT PART NUMBERS

SABMB16 (blank PC Board)	SABMB910016 (SAMB16 with two ALD910016SALI)
SABMB810016 (SAMB16 with one ALD810016SCLI)	SABMB910017 (SAMB16 with two ALD910017SALI)
SABMB810017 (SAMB16 with one ALD810017SCLI)	SABMB910018 (SAMB16 with two ALD910018SALI)
SABMB810018 (SAMB16 with one ALD810018SCLI)	SABMB910019 (SAMB16 with two ALD910019SALI)
SABMB810019 (SAMB16 with one ALD810019SCLI)	SABMB910020 (SAMB16 with two ALD910020SALI)
SABMB810020 (SAMB16 with one ALD810020SCLI)	SABMB910021 (SAMB16 with two ALD910021SALI)
SABMB810021 (SAMB16 with one ALD810021SCLI)	SABMB910022 (SAMB16 with two ALD910022SALI)
SABMB810022 (SAMB16 with one ALD810022SCLI)	SABMB910023 (SAMB16 with two ALD910023SALI)
SABMB810023 (SAMB16 with one ALD810023SCLI)	SABMB910024 (SAMB16 with two ALD910024SALI)
SABMB810024 (SAMB16 with one ALD810024SCLI)	SABMB910025 (SAMB16 with two ALD910025SALI)
SABMB810025 (SAMB16 with one ALD810025SCLI)	SABMB910026 (SAMB16 with two ALD910026SALI)
SABMB810026 (SAMB16 with one ALD810026SCLI)	SABMB910027 (SAMB16 with two ALD910027SALI)
SABMB810027 (SAMB16 with one ALD810027SCLI)	SABMB910028 (SAMB16 with two ALD910028SALI)
SABMB810028 (SAMB16 with one ALD810028SCLI)	SABMB910029 (SAMB16 with two ALD910029SALI)
SABMB810029 (SAMB16 with one ALD810029SCLI)	SABMB910030 (SAMB16 with two ALD910030SALI)
SABMB810030 (SAMB16 with one ALD810030SCLI)	

X-ON Electronics

Largest Supplier of Electrical and Electronic Components

Click to view similar products for [Other Development Tools](#) category:

Click to view products by [Advanced Linear Devices](#) manufacturer:

Other Similar products are found below :

[DS100BR410EVK-4/NOPB](#) [BK0004](#) [BK0012](#) [SN65MLVD2-3EVM](#) [DS80EP100-EVK](#) [MAX9684EVKIT#](#) [MAX4952AEVKIT+](#) [ESD-EVM-001](#) [MAX14842EVKIT+](#) [EVAL01-HMC749LC3C](#) [410-320](#) [TPD6F002-Q1EVM](#) [TS9002DB](#) [DS80PCI800EVK/NOPB](#) [118777-HMC722LC3C](#) [118777-HMC723LC3C](#) [118777-HMC678LC3C](#) [DC1765A-A](#) [125614-HMC851LC3C](#) [TPD1E05U06DPYEVM](#) [SN65LVDM31-32BEVM](#) [DC2062A-A](#) [NB4N855SMEVB](#) [LMH6321MR-EVAL/NOPB](#) [EVAL01-HMC747LC3C](#) [4537](#) [DK-M3F-1.8-TRK-1.5-S](#) [DK-M3-FS-1.8-1.5-M12/16](#) [DK-M3L-1.8-TRK-6.0-S](#) [DK-M3-LS-1.8-6](#) [ADALM1000](#) [ADALP2000](#) [EVAL-CN0202-SDPZ](#) [EVAL-CN0203-SDPZ](#) [EVAL-CN0204-SDPZ](#) [EVAL-CN0209-SDPZ](#) [EVAL-CN0225-SDPZ](#) [EVAL-CN0229-SDPZ](#) [EVAL-CN0251-SDPZ](#) [EVAL-CN0272-SDPZ](#) [EVAL-CN0301-SDPZ](#) [EVAL-CN0325-SDPZ](#) [EVAL-CN0355-PMDZ](#) [EVAL-CN0364-SDPZ](#) [EVAL-SDP-CB1Z](#) [EVAL-SDP-CS1Z](#) [DS1964SEVKIT#](#) [MAX14611EVKIT#](#) [MAX22088EVKIT#](#) [MAX4951AEEVKIT+](#)