

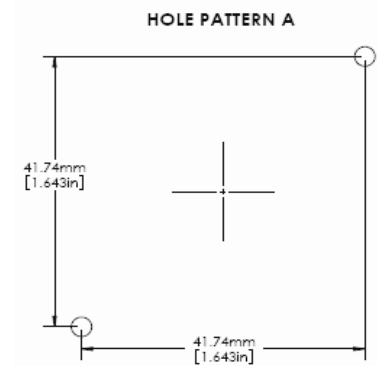
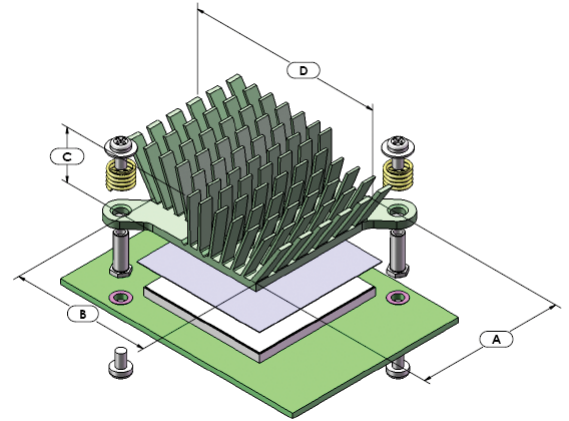
# maxiFLOW™ Cross Cut High Performance Heat Sinks with Hardware Attachment



**ATS PART # ATS-1039-C3-R0**

## Features & Benefits

- » For larger heat sinks and higher pre-loads, push pins with compression springs are an effective mounting choice. The push pin has a flexible barb at the end that is designed to engage with a pre-drilled hole in a PWB. The compression spring adds the necessary force to hold the assembly together. Provides better thermal performance than comparable size straight fin and pin fin heat sinks
- » Features proven high performance maxiFLOW™ heat sink spread fin array to maximize cooling surfaces
- » Ideal for tight spaced components where wider heat sinks can't be used
- » Provided with pre-assembled thermal interface material centered on base
- » PEM Standoff with compression and screws
- » Recommended through hole size in PCB is 3.00 mm



\*Image above is for illustration purposes only.

## Thermal Performance

AIR VELOCITY		THERMAL RESISTANCE (°C/W UNDUCTED)	
FT/MIN	M/S	AIR FLOW STRAIGHT	AIR FLOW SIDEWAYS
200	1.0	3.3	5.6
300	1.5	2.5	4.3
400	2.0	2	3.4
500	2.5	1.8	2.6
600	3.0	1.7	2.2

## Product Details

DIMENSION A	DIMENSION B	DIMENSION C	DIMENSION D	INTERFACE MATERIAL	FINISH
40 mm	38 mm	15 mm	53 mm	CHOMERICS T-766	GREEN ANODIZED

### NOTES:

- 1) DIMENSION C = HEAT SINK HEIGHT FROM BOTTOM OF THE BASE TO THE TOP OF THE FIN FIELD.
- 2) THERMAL PERFORMANCE DATA ARE PROVIDED FOR REFERENCE ONLY. ACTUAL PERFORMANCE MAY VARY BY APPLICATION.
- 3) ATS RESERVES THE RIGHT TO UPDATE OR CHANGE ITS PRODUCTS WITHOUT NOTICE
- 4) CONTACT ATS TO LEARN ABOUT CUSTOM OPTIONS AVAILABLE



**ATS** ADVANCED  
THERMAL  
SOLUTIONS, INC.  
Innovations in Thermal Management®

**For more information, to find a distributor or to place an order, visit [www.qats.com](http://www.qats.com) or call: 781.769.2800 (North America); +31 (0) 3569 84715 (Europe).**

## X-ON Electronics

Largest Supplier of Electrical and Electronic Components

*Click to view similar products for [Heat Sinks](#) category:*

*Click to view products by [Advanced Thermal Solutions](#) manufacturer:*

Other Similar products are found below :

[581102B00000G](#) [656-15ABPE](#) [657-20ABPNE](#) [7020B-TC12-MTG](#) [73452PPBA](#) [7G0011A](#) [PF720G](#) [A22-4026](#) [120-1873-007](#) [HAH10L](#)  
[HAH15L](#) [1542616-1](#) [HS-2506-F1](#) [HS-87M0-F2](#) [218-40CTE3](#) [231-69PAB-15V](#) [25-7520](#) [SW50-4G](#) [231-75PAB-13V](#) [231-75PAB-15V](#) [253-](#)  
[122ABE-22](#) [PSC22CB](#) [HAF10L](#) [HAQ10T](#) [D10100-28](#) [BDN183CBA01](#) [3-21053-4](#) [32438](#) [TX0506-1B](#) [TX1806B](#) [LAE66A3CB](#) [WA-DT2-](#)  
[101E](#) [511-3U](#) [73381PPBA](#) [73403PPBA](#) [7G0047C](#) [COMX-440-HSP](#) [510-12M](#) [D10650-40T5](#) [V8511 Y](#) [APF40-40-13CB/A01](#)  
[780653U04500G](#) [ATS-54310K-C2-R0](#) [FK 216 CB SA](#) [FK 231 SA 220](#) [648-51AB](#) [657-20ABPESC](#) [2341BG](#) [679-25AG](#) [FK 212 CB SA](#)