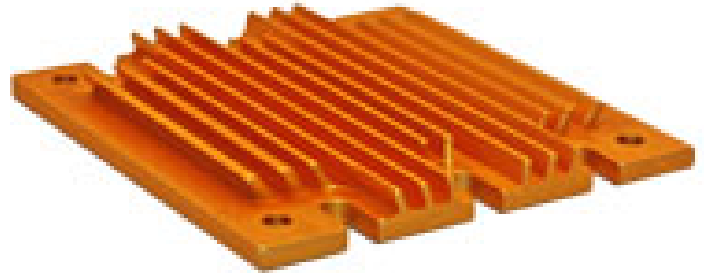




maxiFLOW™ Heat Sink for Half Brick DC-DC Converter

ATS PART # ATS-1103-C1-R0



**Image is for illustration purposes only.*

Features & Benefits

- » High performance maxiFLOW™ design features less pressure drop and more surface area that maximizes the effective convection (air) cooling
- » Hole pattern fits standard half power brick modules
- » Pre-assembled with Chomerics T766 phase change material
- » Heat sink assembly packaged with 3 sets of screws (M3 Philips Pan Head) at 5, 6 and 8 mm lengths

Assembly Part Number

4 Screws per Set

Length (mm)

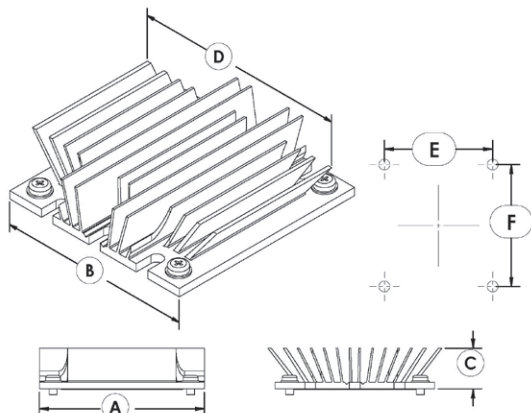
ATS-1103-C2-R0	5
ATS-1103-C3-R0	6
ATS-1103-C4-R0	8

Thermal Performance

AIR VELOCITY		THERMAL RESISTANCE	
FT/MIN	M/S	°C/W (UNDUCTED FLOW)	°C/W (DUCTED FLOW)
200	1.0	9.6	3.3
300	1.5	6.2	
400	2.0	4.8	
500	2.5	4.1	
600	3.0	3.6	
700	3.5	3.3	
800	4.0	3.0	

Product Details

DIMENSION A	DIMENSION B	DIMENSION C	DIMENSION D	DIMENSION E	DIMENSION F	INTERFACE MATERIAL	FINISH
61.0 mm	59.0 mm	6.1 mm	50.6 mm	48.3 mm	50.8 mm	CHOMERICS T766	GOLD ANODIZED



NOTES:

- 1) Thermal performance data are provided for reference only. Actual performance may vary by application.
- 2) ATS reserves the right to update or change its products without notice to improve the design or performance.
- 3) Standard lead time is 4-6 weeks ARO.
- 4) Contact ATS to learn about custom options available.
- 5) Dimension C = heat sink height from bottom of the base to the top of the fin field.
- 6) Dimension D = Fin Tip to Fin Tip
- 7) Dimension E = Hole Width
- 8) Dimension F = Hole Length



ATS ADVANCED THERMAL SOLUTIONS, INC.
Innovations in Thermal Management®

For further technical information, please contact Advanced Thermal Solutions, Inc.

89-27 ACCESS ROAD, NORWOOD, MA 02062 USA | T: 781.769.2800 F: 781.769.9979 | WWW.QATS.COM

REV4_0117

X-ON Electronics

Largest Supplier of Electrical and Electronic Components

Click to view similar products for advanced thermal solutions manufacturer:

Other Similar products are found below :

[ATS-52300B-C2-R0](#) [MGT270](#) [CS-12SHSS-A](#) [ATS-HP-F5L100S30W-031](#) [CS-95SHS-A](#) [TLC-100-DIST](#) [PTM-1000-030](#) [ATS-FM-66](#)
[tvLYT](#) [ATVS-2020-8](#) [eATVS-4](#) [MGT350](#) [MGT310](#) [ATS-58000-C1-R0](#) [eATVS-8](#) [ATS-EXL70-300-R0](#) [ATS-EXL66-1220-R0](#) [ATS-](#)
[X50425G-C1-R0](#) [ATS-EXL105-300-R0](#) [ATS-EXL100-300-R0](#) [ATS-TMDK-96](#) [ATS-CP-1003](#) [ATS-EXL62-1220-R0](#) [ATS-EXL58-1220-R0](#)
[ATS-EXL60-1220-R0](#) [CS-9S6SS-A](#) [ATS-EXL113-300-R0](#) [ATS-EXL63-300-R0](#) [ATS-TCP-1002](#) [MGT290](#) [ATS-EXL110-1220-R0](#) [ATS-](#)
[EXL105-1220-R0](#) [ATS-EXL2-254-R0](#) [ATS-EXL312-300-R0](#) [ATS-EXL119-300-R0](#) [ATS-TCP-1000](#) [MIC 1000-20](#) [ATS-EXL103-300-R0](#)
[ATS-1039-C3-R0](#) [ATS-EXL100-1220-R0](#) [ATS-EXL75-1220-R0](#) [ATS-EXL101-300-R0](#) [ATS-FM-22](#) [MGT450](#) [ATS-EXL65-1220-R0](#) [ATS-](#)
[EXL99-1220-R0](#) [ATS-FM-M](#) [MGT425](#) [ATS-1040-C1-R0](#) [ATS-54325R-C1-R0](#)