

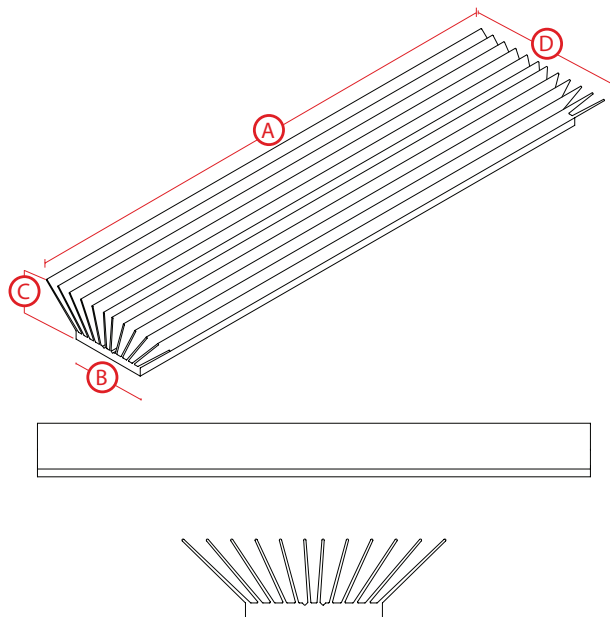


High Performance LED Cooling Solutions

ATS PART # ATS-58001-C1-R0

Features & Benefits

- » Designed for cooling linear LED lighting products
- » maxiFLOW™ design features a low profile, spread fin array that maximizes surface area for more effective convection (air) cooling
- » Reduces LED temperatures by more than 50%
- » Fabricated from extruded aluminum, which minimizes thermal resistance from the base to the fins, reduces weight and keeps costs low



*Image above is for illustration purposes only.

Thermal Performance

| AIR VELOCITY | | THERMAL RESISTANCE | |
|--------------|-----|----------------------|--------------------|
| FT/MIN | M/S | °C/W (UNDUCTED FLOW) | °C/W (DUCTED FLOW) |
| 200 | 1.0 | 1.3 | 0.5 |
| 300 | 1.5 | 0.8 | |
| 400 | 2.0 | 0.6 | |
| 500 | 2.5 | 0.5 | |
| 600 | 3.0 | 0.4 | |
| 700 | 3.5 | 0.4 | |
| 800 | 4.0 | 0.3 | |

Product Details

| DIMENSION A | DIMENSION B | DIMENSION C | DIMENSION D | INTERFACE MATERIAL | FINISH |
|-------------|-------------|-------------|-------------|---------------------|----------------|
| 305 mm | 45 mm | 26 mm | 87 mm | SAINT-GOBAIN NO TIM | BLACK-ANODIZED |

NOTES:

- 1) Dimension C = heat sink height from bottom of the base to the top of the fin field.
- 2) Thermal performance data are provided for reference only. Actual performance may vary by application.
- 3) ATS reserves the right to update or change its products without notice to improve the design or performance.
- 4) Contact ATS to learn about custom options available.



ATS ADVANCED
THERMAL
SOLUTIONS, INC.
Innovations in Thermal Management®

For more information, to find a distributor or to place an order, visit www.qats.com or call: 781.769.2800 (North America); +31 (0) 3569 84715 (Europe).

X-ON Electronics

Largest Supplier of Electrical and Electronic Components

Click to view similar products for [Heat Sinks - LED category](#):

Click to view products by [Advanced Thermal Solutions manufacturer](#):

Other Similar products are found below :

[ATSEU-077-EXL-R1](#) [LRS285200TW](#) [NX301115](#) [LMH020-HS00-0000-0000081](#) [LRS285200TWK](#) [ATS-58001-C1-R0](#) [ATS-58002-C1-R0](#)
[ATSEU-077A2-C1-R1](#) [ATSEU-077A2-C2-R0](#) [ATSEU-077A2-C5-R0](#) [ATSEU-077A-C3-R0](#) [ATSEU-077A-C4-R0](#) [ATSEU-077A-C6-R0](#)
[ATSEU-077B-C1-R0](#) [ATSEU-077B-C2-R0](#) [ATSEU-077B-C3-R0](#) [ATSEU-077B-C4-R0](#) [ATSEU-077B-C5-R0](#) [ATSEU-077B-C6-R0](#)
[ATSEU-077C-C1-R0](#) [ATSEU-077C-C2-R0](#) [ATSEU-077C-C3-R0](#) [ATSEU-077C-C4-R0](#) [ATSEU-077C-C5-R0](#) [ATSEU-077C-C6-R0](#)
[ATSEU-077D-C1-R0](#) [ATSEU-077D-C2-R0](#) [ATSEU-077D-C3-R0](#) [ATSEU-077D-C4-R0](#) [ATSEU-077D-C5-R0](#) [ATSEU-077D-C6-R0](#)
[ATSEU-109-C1-R0](#) [ATSEU-110-C1-R0](#) [ATSEU-110-C2-R0](#) [LMH020-HS00-0000-0000001](#) [45-4586](#) [180289-0000](#) [HSSLS-CALCL-008](#)
[124212](#) [124213](#) [124214](#) [124215](#) [882-100AB](#) [882-200AB](#) [882-300AB](#) [882-50AB](#) [DUALLED-13030](#) [DUALLED-13080](#) [DUALLED-22560](#)
[DUALLED-5830](#)