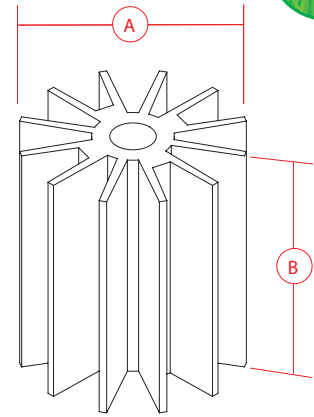


STAR LED Heat Sinks



Features & Benefits

- » Designed for high-performance convection cooling of high heat flux LEDs
- » Heat Sinks available with and without base plates for easy LED mounting
- » Each STAR series heat sink is made from lightweight, anodized aluminum for maximum thermal performance



PART #	DIAMETER (A)	HS LENGTH (B)	BASE PLATE THICKNESS	BASE PLATE OUTER THREAD	FINISH	THERMAL PERFORMANCE
ATSEU-077A2-C1-R1	45 mm	68 mm	7 mm	UNTHREADED	BLACK	45 mm: CURVE 1
ATSEU-077A2-C2-R0	45 mm	68 mm	7 mm	M43x1.5	BLACK	45 mm: CURVE 1
ATSEU-077A2-C5-R0	45 mm	68 mm	NONE	NONE	BLACK	45 mm: CURVE 1
ATSEU-077A-C3-R0	45 mm	68 mm	7 mm	UNTHREADED	BLACK/SILVER TIP	45 mm: CURVE 1
ATSEU-077A-C4-R0	45 mm	68 mm	7 mm	M43x1.5	BLACK/SILVER TIP	45 mm: CURVE 1
ATSEU-077A-C6-R0	45 mm	68 mm	NONE	NONE	BLACK/SILVER TIP	45 mm: CURVE 1
ATSEU-077B-C1-R0	45 mm	43 mm	7 mm	UNTHREADED	BLACK	45 mm: CURVE 2
ATSEU-077B-C2-R0	45 mm	43 mm	7 mm	M43x1.5	BLACK	45 mm: CURVE 2
ATSEU-077B-C5-R0	45 mm	43 mm	NONE	NONE	BLACK	45 mm: CURVE 2
ATSEU-077B-C3-R0	45 mm	43 mm	7 mm	UNTHREADED	BLACK/SILVER TIP	45 mm: CURVE 2
ATSEU-077B-C4-R0	45 mm	43 mm	7 mm	M43x1.5	BLACK/SILVER TIP	45 mm: CURVE 2
ATSEU-077B-C6-R0	45 mm	43 mm	NONE	NONE	BLACK/SILVER TIP	45 mm: CURVE 2
ATSEU-077D-C1-R0	45 mm	38 mm	7 mm	UNTHREADED	BLACK	45 mm: CURVE 3
ATSEU-077D-C2-R0	45 mm	38 mm	7 mm	M43x1.5	BLACK	45 mm: CURVE 3
ATSEU-077D-C5-R0	45 mm	38 mm	NONE	NONE	BLACK	45 mm: CURVE 3
ATSEU-077D-C3-R0	45 mm	38 mm	7 mm	UNTHREADED	BLACK/SILVER TIP	45 mm: CURVE 3
ATSEU-077D-C4-R0	45 mm	38 mm	7 mm	M43x1.5	BLACK/SILVER TIP	45 mm: CURVE 3
ATSEU-077D-C6-R0	45 mm	38 mm	NONE	NONE	BLACK/SILVER	45 mm: CURVE 3
ATSEU-077C-C1-R0	45 mm	18 mm	7 mm	UNTHREADED	BLACK	45 mm: CURVE 4
ATSEU-077C-C2-R0	45 mm	18 mm	7 mm	M43x1.5	BLACK	45 mm: CURVE 4
ATSEU-077C-C5-R0	45 mm	18 mm	NONE	NONE	BLACK	45 mm: CURVE 4
ATSEU-077C-C3-R0	45 mm	18 mm	7 mm	UNTHREADED	BLACK/SILVER TIP	45 mm: CURVE 4
ATSEU-077C-C4-R0	45 mm	18 mm	7 mm	M43x1.5	BLACK/SILVER TIP	45 mm: CURVE 4
ATSEU-077C-C6-R0	45 mm	18 mm	NONE	NONE	BLACK/SILVER TIP	45 mm: CURVE 4
ATSEU-109-C1-R0	60 mm	60 mm	10 mm	M59x1.5	BLACK	60 mm CURVE
ATSEU-109-C2-R0	60 mm	60 mm	NONE	NONE	BLACK	60 mm CURVE
ATSEU-110-C1-R0	100 mm	85 mm	10 mm	M101x1.0	BLACK	100 mm CURVE
ATSEU-110-C2-R0	100 mm	85 mm	NONE	NONE	BLACK	100 mm CURVE

NOTES:

- 1) Thermal Performance data are provided for reference only - Actual performance may vary by application
- 2) ATS reserves the right to update or change its products without notice
- 3) Contact ATS to learn about custom options available



ATS ADVANCED THERMAL SOLUTIONS, INC.
Innovations in Thermal Management®

For more information, to find a distributor or to place an order, visit www.qats.com

STAR LED Heat Sinks



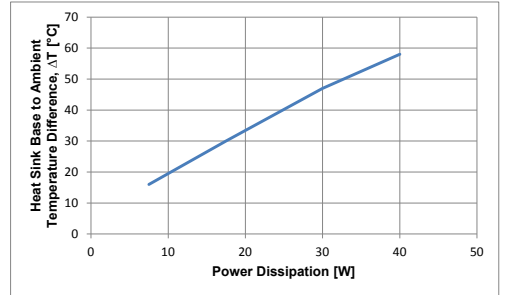
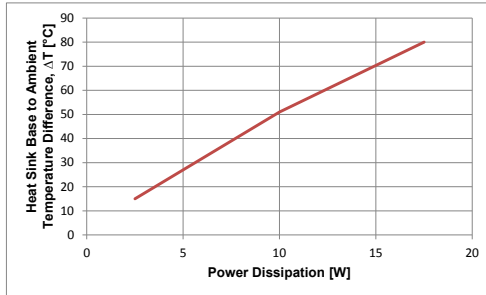
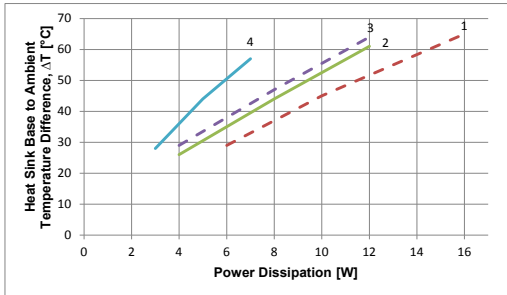
Extrusion and custom lengths are also available for any STAR profile.

Thermal Performance

45 mm Diameter Heat Sinks

60 mm Diameter Heat Sinks

100 mm Diameter Heat Sinks

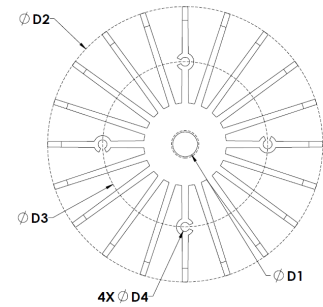
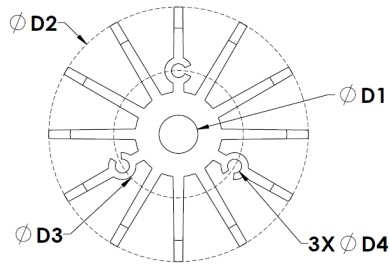
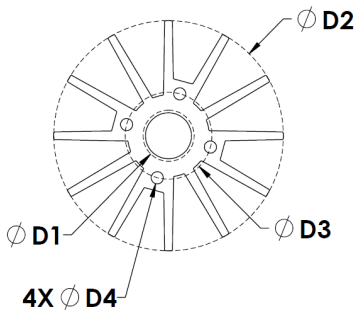


Schematic

45 mm Diameter Heat Sinks

60 mm Diameter Heat Sinks

100 mm Diameter Heat Sinks



Image

45 mm Diameter Heat Sinks

60 mm Diameter & 100 mm Diameter Heat Sinks



FOR ILLUSTRATION PURPOSES ONLY



D1	D2	D3	D4
9 mm THRU / M10 I 15 mm	100 mm	60 mm	3.26 mm
9 mm THRU / M10 I 15 mm	60 mm	30 mm	3.26 mm
9 mm THRU / M10 I 15 mm	45 mm	17 mm	2.38 mm

For more information, to find a distributor or to place an order, visit www.qats.com

X-ON Electronics

Largest Supplier of Electrical and Electronic Components

Click to view similar products for [Heat Sinks - LED category](#):

Click to view products by [Advanced Thermal Solutions manufacturer](#):

Other Similar products are found below :

[ATSEU-077-EXL-R1](#) [LRS285200TW](#) [NX301115](#) [LMH020-HS00-0000-0000081](#) [LRS285200TWK](#) [ATS-58001-C1-R0](#) [ATS-58002-C1-R0](#)
[ATSEU-077A2-C1-R1](#) [ATSEU-077A2-C2-R0](#) [ATSEU-077A2-C5-R0](#) [ATSEU-077A-C3-R0](#) [ATSEU-077A-C4-R0](#) [ATSEU-077A-C6-R0](#)
[ATSEU-077B-C1-R0](#) [ATSEU-077B-C2-R0](#) [ATSEU-077B-C3-R0](#) [ATSEU-077B-C4-R0](#) [ATSEU-077B-C5-R0](#) [ATSEU-077B-C6-R0](#)
[ATSEU-077C-C1-R0](#) [ATSEU-077C-C2-R0](#) [ATSEU-077C-C3-R0](#) [ATSEU-077C-C4-R0](#) [ATSEU-077C-C5-R0](#) [ATSEU-077C-C6-R0](#)
[ATSEU-077D-C1-R0](#) [ATSEU-077D-C2-R0](#) [ATSEU-077D-C3-R0](#) [ATSEU-077D-C4-R0](#) [ATSEU-077D-C5-R0](#) [ATSEU-077D-C6-R0](#)
[ATSEU-109-C1-R0](#) [ATSEU-110-C1-R0](#) [ATSEU-110-C2-R0](#) [LMH020-HS00-0000-0000001](#) [45-4586](#) [180289-0000](#) [HSSLS-CALCL-008](#)
[124212](#) [124213](#) [124214](#) [124215](#) [882-100AB](#) [882-200AB](#) [882-300AB](#) [882-50AB](#) [DUALLED-13030](#) [DUALLED-13080](#) [DUALLED-22560](#)
[DUALLED-5830](#)