

# STAR LED Heat Sinks



## Features & Benefits

- » Designed for high-performance convection cooling of high heat flux LEDs
- » Heat Sinks available with and without base plates for easy LED mounting
- » Each STAR series heat sink is made from lightweight, anodized aluminum for maximum thermal performance



| PART #            | DIAMETER (A) | HS LENGTH (B) | BASE PLATE THICKNESS | BASE PLATE OUTER THREAD | FINISH           | THERMAL PERFORMANCE |
|-------------------|--------------|---------------|----------------------|-------------------------|------------------|---------------------|
| ATSEU-077A2-C1-R1 | 45 mm        | 68 mm         | 7 mm                 | UNTHREADED              | BLACK            | 45 mm: CURVE 1      |
| ATSEU-077A2-C2-R0 | 45 mm        | 68 mm         | 7 mm                 | M43x1.5                 | BLACK            | 45 mm: CURVE 1      |
| ATSEU-077A2-C5-R0 | 45 mm        | 68 mm         | NONE                 | NONE                    | BLACK            | 45 mm: CURVE 1      |
| ATSEU-077A-C3-R0  | 45 mm        | 68 mm         | 7 mm                 | UNTHREADED              | BLACK/SILVER TIP | 45 mm: CURVE 1      |
| ATSEU-077A-C4-R0  | 45 mm        | 68 mm         | 7 mm                 | M43x1.5                 | BLACK/SILVER TIP | 45 mm: CURVE 1      |
| ATSEU-077A-C6-R0  | 45 mm        | 68 mm         | NONE                 | NONE                    | BLACK/SILVER TIP | 45 mm: CURVE 1      |
| ATSEU-077B-C1-R0  | 45 mm        | 43 mm         | 7 mm                 | UNTHREADED              | BLACK            | 45 mm: CURVE 2      |
| ATSEU-077B-C2-R0  | 45 mm        | 43 mm         | 7 mm                 | M43x1.5                 | BLACK            | 45 mm: CURVE 2      |
| ATSEU-077B-C5-R0  | 45 mm        | 43 mm         | NONE                 | NONE                    | BLACK            | 45 mm: CURVE 2      |
| ATSEU-077B-C3-R0  | 45 mm        | 43 mm         | 7 mm                 | UNTHREADED              | BLACK/SILVER TIP | 45 mm: CURVE 2      |
| ATSEU-077B-C4-R0  | 45 mm        | 43 mm         | 7 mm                 | M43x1.5                 | BLACK/SILVER TIP | 45 mm: CURVE 2      |
| ATSEU-077B-C6-R0  | 45 mm        | 43 mm         | NONE                 | NONE                    | BLACK/SILVER TIP | 45 mm: CURVE 2      |
| ATSEU-077D-C1-R0  | 45 mm        | 38 mm         | 7 mm                 | UNTHREADED              | BLACK            | 45 mm: CURVE 3      |
| ATSEU-077D-C2-R0  | 45 mm        | 38 mm         | 7 mm                 | M43x1.5                 | BLACK            | 45 mm: CURVE 3      |
| ATSEU-077D-C5-R0  | 45 mm        | 38 mm         | NONE                 | NONE                    | BLACK            | 45 mm: CURVE 3      |
| ATSEU-077D-C3-R0  | 45 mm        | 38 mm         | 7 mm                 | UNTHREADED              | BLACK/SILVER TIP | 45 mm: CURVE 3      |
| ATSEU-077D-C4-R0  | 45 mm        | 38 mm         | 7 mm                 | M43x1.5                 | BLACK/SILVER TIP | 45 mm: CURVE 3      |
| ATSEU-077D-C6-R0  | 45 mm        | 38 mm         | NONE                 | NONE                    | BLACK/SILVER     | 45 mm: CURVE 3      |
| ATSEU-077C-C1-R0  | 45 mm        | 18 mm         | 7 mm                 | UNTHREADED              | BLACK            | 45 mm: CURVE 4      |
| ATSEU-077C-C2-R0  | 45 mm        | 18 mm         | 7 mm                 | M43x1.5                 | BLACK            | 45 mm: CURVE 4      |
| ATSEU-077C-C5-R0  | 45 mm        | 18 mm         | NONE                 | NONE                    | BLACK            | 45 mm: CURVE 4      |
| ATSEU-077C-C3-R0  | 45 mm        | 18 mm         | 7 mm                 | UNTHREADED              | BLACK/SILVER TIP | 45 mm: CURVE 4      |
| ATSEU-077C-C4-R0  | 45 mm        | 18 mm         | 7 mm                 | M43x1.5                 | BLACK/SILVER TIP | 45 mm: CURVE 4      |
| ATSEU-077C-C6-R0  | 45 mm        | 18 mm         | NONE                 | NONE                    | BLACK/SILVER TIP | 45 mm: CURVE 4      |
| ATSEU-109-C1-R0   | 60 mm        | 60 mm         | 10 mm                | M59x1.5                 | BLACK            | 60 mm CURVE         |
| ATSEU-109-C2-R0   | 60 mm        | 60 mm         | NONE                 | NONE                    | BLACK            | 60 mm CURVE         |
| ATSEU-110-C1-R0   | 100 mm       | 85 mm         | 10 mm                | M101x1.0                | BLACK            | 100 mm CURVE        |
| ATSEU-110-C2-R0   | 100 mm       | 85 mm         | NONE                 | NONE                    | BLACK            | 100 mm CURVE        |

## NOTES:

- 1) Thermal Performance data are provided for reference only - Actual performance may vary by application
- 2) ATS reserves the right to update or change its products without notice
- 3) Contact ATS to learn about custom options available



**ATS** ADVANCED THERMAL SOLUTIONS, INC.  
Innovations in Thermal Management®

For more information, to find a distributor or to place an order, visit [www.qats.com](http://www.qats.com)

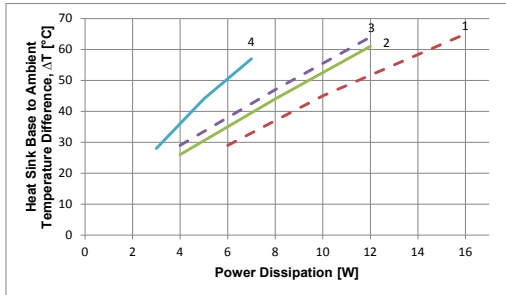
# STAR LED Heat Sinks



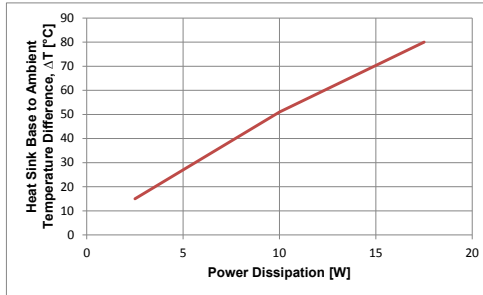
Extrusion and custom lengths are also available for any STAR profile.

## Thermal Performance

45 mm Diameter Heat Sinks



60 mm Diameter Heat Sinks

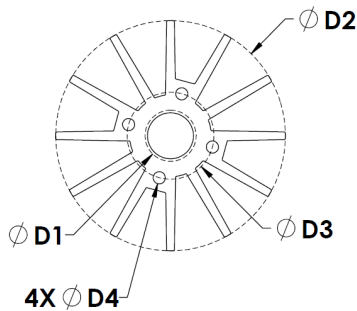


100 mm Diameter Heat Sinks

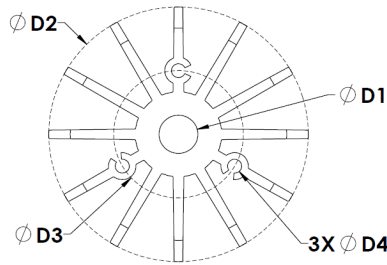


## Schematic

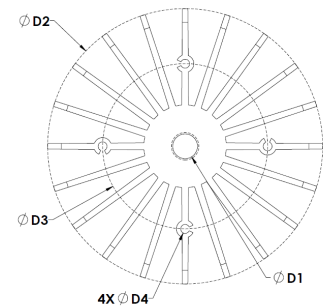
45 mm Diameter Heat Sinks



60 mm Diameter Heat Sinks



100 mm Diameter Heat Sinks



## Image

45 mm Diameter Heat Sinks



60 mm Diameter & 100 mm Diameter Heat Sinks

FOR ILLUSTRATION PURPOSES ONLY



| D1                      | D2     | D3    | D4      |
|-------------------------|--------|-------|---------|
| 9 mm THRU / M10 I 15 mm | 100 mm | 60 mm | 3.26 mm |
| 9 mm THRU / M10 I 15 mm | 60 mm  | 30 mm | 3.26 mm |
| 9 mm THRU / M10 I 15 mm | 45 mm  | 17 mm | 2.38 mm |

For more information, to find a distributor or to place an order, visit [www.qats.com](http://www.qats.com)

## X-ON Electronics

Largest Supplier of Electrical and Electronic Components

*Click to view similar products for [Heat Sinks - LED category](#):*

*Click to view products by [Advanced Thermal Solutions manufacturer](#):*

Other Similar products are found below :

[ATSEU-077-EXL-R1](#) [LRS285200TW](#) [NX301115](#) [LMH020-HS00-0000-0000081](#) [LRS285200TWK](#) [ATS-58001-C1-R0](#) [ATS-58002-C1-R0](#)  
[ATSEU-077A2-C1-R1](#) [ATSEU-077A2-C2-R0](#) [ATSEU-077A2-C5-R0](#) [ATSEU-077A-C3-R0](#) [ATSEU-077A-C4-R0](#) [ATSEU-077A-C6-R0](#)  
[ATSEU-077B-C1-R0](#) [ATSEU-077B-C2-R0](#) [ATSEU-077B-C3-R0](#) [ATSEU-077B-C4-R0](#) [ATSEU-077B-C5-R0](#) [ATSEU-077B-C6-R0](#)  
[ATSEU-077C-C1-R0](#) [ATSEU-077C-C2-R0](#) [ATSEU-077C-C3-R0](#) [ATSEU-077C-C4-R0](#) [ATSEU-077C-C5-R0](#) [ATSEU-077C-C6-R0](#)  
[ATSEU-077D-C1-R0](#) [ATSEU-077D-C2-R0](#) [ATSEU-077D-C3-R0](#) [ATSEU-077D-C4-R0](#) [ATSEU-077D-C5-R0](#) [ATSEU-077D-C6-R0](#)  
[ATSEU-109-C1-R0](#) [ATSEU-110-C1-R0](#) [ATSEU-110-C2-R0](#) [LMH020-HS00-0000-0000001](#) [45-4586](#) [180289-0000](#) [HSSLS-CALCL-008](#)  
[124212](#) [124213](#) [124214](#) [124215](#) [882-100AB](#) [882-200AB](#) [882-300AB](#) [882-50AB](#) [DUALLED-13030](#) [DUALLED-13080](#) [DUALLED-22560](#)  
[DUALLED-5830](#)