

pushPIN™ Heat Sink Attachments

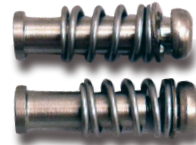
ATTACHMENT OPTIONS FOR ATS PUSHPIN™ HEATSINKS



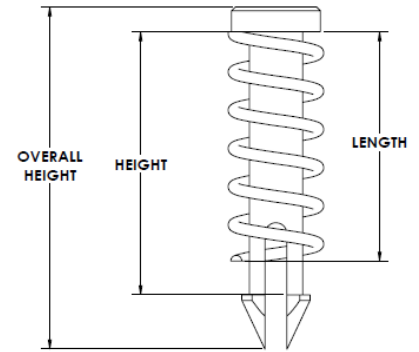
Push Pins



Push Pin Spring Kits



Hardware Kits



Individual Push Pins

Part #	Description	Dimensions			
		HEIGHT (mm)	OVERALL HEIGHT (mm)	WEIGHT (gr)	BOARD HOLE SIZE (mm)
ATS-PP-01	Brass Push Pin, 9 mm	9.0	11.77	0.86	3.175
ATS-PP-02	Brass Push Pin, 10 mm	10.0	12.77	0.91	3.175
ATS-PP-03	Brass Push Pin, 11 mm	11.0	13.77	0.97	3.175
ATS-PP-04	Brass Push Pin, 12 mm	12.0	14.77	1.02	3.175
ATS-PP-05	Brass Push Pin, 13 mm	13.0	15.77	1.07	3.175
ATS-PP-06	Brass Push Pin, 14 mm	14.0	16.77	1.12	3.175
ATS-PP-08	Brass Push Pin, 18 mm	18.8	21.57	1.37	3.175
ATS-PP-09	Brass Push Pin, 20 mm	20.3	23.07	1.45	3.175

Individual Push Pin Spring Kits

PART #	DESCRIPTION	LENGTH (mm)	HEIGHT (mm)	OVERALL HEIGHT (mm)	FORCE (lb/mm)	BOARD HOLE SIZE (mm)	QUANTITY PER HEAT SINK	MATERIAL
ATS-HK127-R0	PLASTIC PIN AND SPRING ASMBLY	7.3	10.3	16.4	.47	3.0	1	PLASTIC
ATS-HK91-R0	BRASS PIN AND SPRING ASMBLY	12.7	13.70	16.47	.40	3.0	1	BRASS

Individual Hardware Kits

PART #	DESCRIPTION	LENGTH (mm)	HEIGHT (mm)	OVERALL HEIGHT (mm)	FORCE (lb/mm)	BOARD HOLE SIZE (mm)	QUANTITY PER HEAT SINK	MATERIAL
ATS-HK76-R0	PEM, SPRING AND SCREWS, QTY 2/EA	8.0	11.5	14.0	1.0	3.0	1	SS

The tolerance for the board hole size is ±0.05mm. Plated thru holes are recommended.

Individual Springs

Part #	Description	OD (mm)	WD (mm)	ID (mm)	FL (mm)	SL (mm)	Force (lb/mm)	Material	Finish
ATS-PPS-01	MUSIC WIRE COIL SPRING, QTY 1	4.6	0.5	3.7	11.2	3.1	0.3	Music Wire	Zinc Plate
ATS-PPS-02	STAINLESS STEEL COIL SPRING, QTY 1	4.6	0.5	3.7	11.2	3.1	0.3	SS Type 302	Passivate per ASTM A967
ATS-PPS-03	MUSIC WIRE COIL SPRING, QTY 1	4.6	0.6	3.5	9.5	3.7	0.8	Music Wire	Zinc Plate
ATS-PPS-04	MUSIC WIRE COIL SPRING, QTY 1	4.8	0.5	3.7	11.1	3.5	0.4	Music Wire	Zinc Plate
ATS-PPS-05	STAINLESS STEEL COIL SPRING, QTY 1	4.75	0.5	3.7	14.3	4.3	0.3	SS Type 302	Passivate per ASTM A967
ATS-PPS-06	MUSIC WIRE COIL SPRING, QTY 1	4.6	0.6	3.5	6.4	2.8	1.2	Music Wire	Zinc Plate
ATS-PPS-07	MUSIC WIRE COIL SPRING, QTY 1	4.6	0.6	3.4	12.7	5.6	0.8	Music Wire	Zinc Plate
ATS-PPS-08	STAINLESS STEEL COIL SPRING, QTY 1	5.5	0.7	4.1	8.0	3.8	1.4	SS Type 302	Passivate per ASTM A967
ATS-PPS-09	MUSIC WIRE COIL SPRING, QTY 1	5.3	0.6	4.4	11.1	2.7	0.2	Music Wire	Zinc Plate
ATS-PPS-10	MUSIC WIRE COIL SPRING, QTY 1	5.3	0.6	4.2	19.1	6.3	0.2	Music Wire	Zinc Plate
ATS-PPS-11	MUSIC WIRE COIL SPRING, QTY 1	5.3	0.7	4.2	17.5	5.8	0.3	Music Wire	Zinc Plate
ATS-PPS-12	MUSIC WIRE COIL SPRING, QTY 1	5.3	0.6	4.0	15.9	6.9	0.5	Music Wire	Zinc Plate
ATS-PPS-13	MUSIC WIRE COIL SPRING, QTY 1	5.5	0.7	4.1	14.3	6.2	0.8	Music Wire	Zinc Plate
ATS-PPS-14	STAINLESS STEEL COIL SPRING, QTY 1	6.1	0.8	4.5	8.0	4.1	2.0	SS Type 302	Passivate per ASTM A967
ATS-PPS-15	STAINLESS STEEL COIL SPRING, QTY 1	6.4	0.5	5.3	11.1	2.6	0.2	SS Type 302	Passivate per ASTM A967
ATS-PPS-16	MUSIC WIRE COIL SPRING, QTY 1	6.1	0.8	4.5	9.7	4.3	2.0	Music Wire	Zinc Plate
ATS-PPS-17	MUSIC WIRE COIL SPRING, QTY 1	6.1	1.0	4.1	12.7	8.0	3.3	Music Wire	Zinc Plate
ATS-PPS-18	MUSIC WIRE COIL SPRING, QTY 1	6.1	0.7	4.6	12.7	5.3	0.9	Music Wire	Zinc Plate
ATS-PPS-19	MUSIC WIRE COIL SPRING, QTY 1	6.1	0.8	4.5	11.1	5.1	1.7	Music Wire	Zinc Plate
ATS-PPS-20	MUSIC WIRE COIL SPRING, QTY 1	6.1	0.9	4.3	8.0	4.9	3.5	Music Wire	Zinc Plate
ATS-PPS-21	MUSIC WIRE COIL SPRING, QTY 1	6.4	0.7	4.8	11.2	3.6	0.8	Music Wire	Zinc Plate



NOTES:

OD = Outside Diameter
 WD = Wire Diameter
 ID = Inside Diameter
 FL = Free Length
 SL = Solid Length

X-ON Electronics

Largest Supplier of Electrical and Electronic Components

Click to view similar products for [Heat Sinks](#) category:

Click to view products by [Advanced Thermal Solutions](#) manufacturer:

Other Similar products are found below :

[657-20ABPNE](#) [73452PPBA](#) [A22-4026](#) [120-1873-007](#) [218-40CTE3](#) [231-69PAB-15V](#) [231-75PAB-13V](#) [231-75PAB-15V](#) [253-122ABE-22](#)
[PSC22CB](#) [295-2](#) [CLP212SG](#) [D10100-28](#) [BDN183CBA01](#) [3-21053-4](#) [TX0506-1B](#) [LAE66A3CB](#) [511-3U](#) [73381PPBA](#) [73403PPBA](#) [8191-](#)
[E40](#) [510-12M](#) [529802B00000](#) [D10650-40T5](#) [6225B-MT6G](#) [ATS-54310K-C2-R0](#) [648-51AB](#) [657-20ABPESC](#) [679-25AG](#) [FK 212 CB SA](#)
[FK225 SA L1](#) [241404B91203G](#) [6801G](#) [680-5K](#) [7106DG/TR](#) [SK145 37 5STSTO220](#) [7109DG/TR](#) [TS-11042-CY](#) [S14K35G3S5](#) [8924G](#)
[7717-133DAP](#) [7717-26DAP](#) [4509](#) [SW25-4G](#) [CLP-215](#) [CLP-207](#) [D20850-40-T2](#) [APF30-30-10CB/A01](#) [V8508E](#) [268-85CTE](#)