

# ITM-5112

## 12" SVGA Industrial LED Monitor with Full-Flat Resistive Touchscreen

**NEW**



### Features

- 12.1" SVGA LED backlight panel provides 20 ~ 30% power savings
- -20 ~ +60°C wide range operating temperature
- Easy-clean 5-wire resistive plane touch
- Combo RS-232 & USB interface for touchscreen function
- VGA & DVI interface
- Simple, elegant design with IP54 front panel protection
- Peripheral connectors in frame rail design
- Supports panel, wall, desktop, and swing-arm VESA mounting



### Introduction

ITM-5112 is a 12" LED TFT-LCD touchscreen monitor specifically designed for industrial applications. It's a stable, rugged display with VGA & DVI interface. The simple, yet elegant flat plane design provides for easy cleaning, and the Box PC-plus-monitor option offers added flexibility.

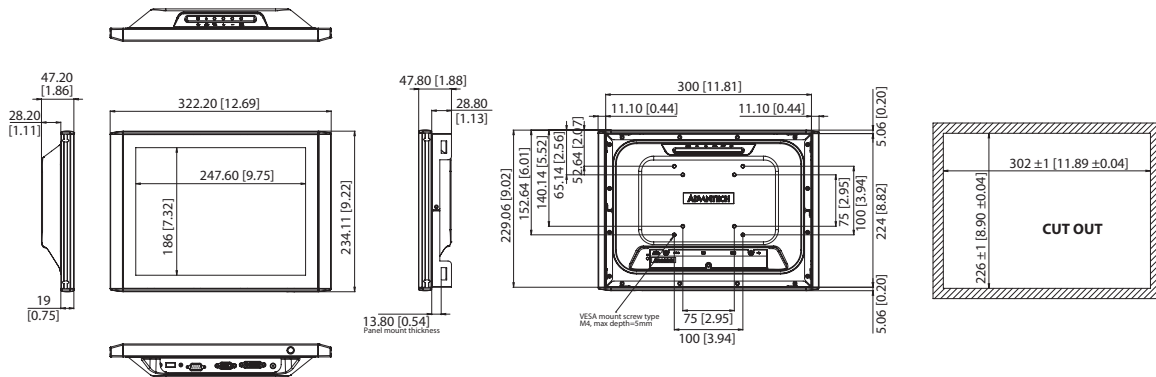
### Specifications

<b>Display</b>	Size	12.1" LED backlight panel
	Resolution	800 x 600 (SVGA)
	Viewing Angle	-80°~80°(H), -60°~80°(V)
	Brightness	450 (cd/m <sup>2</sup> )
	Color Support	16.7M / 262K colors
	Contrast Ratio	800
	Response Time	12 [msec]
	Lamp Life (hrs)	60,000 hrs
<b>Touchscreen</b>	Touchscreen Type	5-Wire resistive touch window
	Surface Hardness	3H
	Durability	10 million touches
<b>Environment</b>	Operating Temperature	-20 ~ 60°C (-4 ~ 140°F)
	Storage Temperature	-30 ~ 70°C (-22 ~ 158°F)
	Humidity	5 ~ 95% @ 40°C, non-condensing
	Shock	10G peak acceleration (11 ms duration)
	Front panel	IP54
<b>System</b>	I/O	M series VGA x 1; DVI-D x 1; 12 V <sub>DC</sub> Jack x 1; USB x1; RS-232 x 1 (USB & RS-232 are reserved for the connection to enable touch usage only)
	OSD	M series Keys: Menu, Up, Down, Enter, Monitor Power on/off Menu Functions: Brightness, Volume, Contrast, Clock Phase, Horizontal Position, Vertical Position, Sharpness
	Power	60 W power adapter, with AC 100 ~ 240 V input and DC +12 V @ 5 A output
	EMC Compliance	CE/FCC/CCC/BSMI
	Safety	CB/UL/CCC/BSMI

## Dimensions

Unit: mm [inches]

### M Series



## Packing List

Part Number	Description
1700091800	*1 x D-SUB 9P(M)/D-SUB 9P(F) 1.8 meter
1962055040	8 x panel-mount clamper
1930002205	8 x panel-mount clamper screw M4_30L
1700021332-01	*1 x VGA cable 15P(M) 1.8 meter
1960051804N001	1 x cable clamp
-	1 x CD-ROM for ITM series

\*VGA/D-SUB cables are only included in ITM-5112R M series.  
 Note: Package contents are subject to change without prior notice

## Optional Items

Part Number	Description
1702002600	Power cord 3P (USA)
1700000596	Power cord 3P (China)
1700018705	Power cord 3P (EU)
96STANDKIT-ITM	Stand kit
1757003934	Adapter AC100-240V 60W +12V/5A DPS-60PB A
1700000243	DVI cable 2.0 meter
1700002215	USB-A(M)/USB-A(M) 1.8 meter

## Ordering Information

Model Name	Description
ITM-5112R-MA1E	12" SVGA LED Full-Flat Touch Monitor
ITM-5112R-CA1E	12" Industrial Touch Computer with Intel Atom D525 Dual Core 1.8 GHz Processor

## X-ON Electronics

Largest Supplier of Electrical and Electronic Components

*Click to view similar products for [D-Sub Cables](#) category:*

*Click to view products by [Advantech](#) manufacturer:*

Other Similar products are found below :

[1200980218](#) [1200980067](#) [RB09P09P-006](#) [RB09P09P-012](#) [RB15P15P-006](#) [RB25P25P-006](#) [RB37P37P-024](#) [172-0906](#) [SHD15P15S-012](#)  
[SHD15P15S-036](#) [177-710-1-9S6K7-24MNN](#) [ACL-10137-2MM](#) [RB09P09P-024](#) [319285-3](#) [RS422-OM2](#) [SHD26P26S-060](#) [SHD44P44S-036](#)  
[73-6210MM-6](#) [C200H-CN320-EU](#) [49725A 060S2](#) [73231-1321](#) [SDB-50AFFM-SL7A02](#) [49760A 060S2](#) [HDB-26AFFM-SL7A02](#) [30-9503P](#)  
[30-9522P](#) [73-6220MM-6](#) [1200980058](#) [1200980066](#) [1200980078](#) [1200980052](#) [1200980093](#) [1200980028](#) [1200980021](#) [1200980127](#) [SDB-](#)  
[09AFFM-SL7A02](#) [BB-LDVYCBL](#) [83421-9286](#) [MLDM2L-21P-6K7-18B](#) [KSFD1](#) [MM-2J2-021-SS1-41WN](#) [HDB-78AMMM-SL7A05](#) [SDB-](#)  
[37AMMM-SL7A03](#) [SDB-15AFFM-SL7A05](#) [ACC-500-163-R](#) [172-1910](#) [VS-25-DSUB-20-LI-2,0](#) [VS-25-DSUB-20-LI-5,0](#) [30-9506MF](#)  
[MLDM2L-25P-6K7-18B](#)