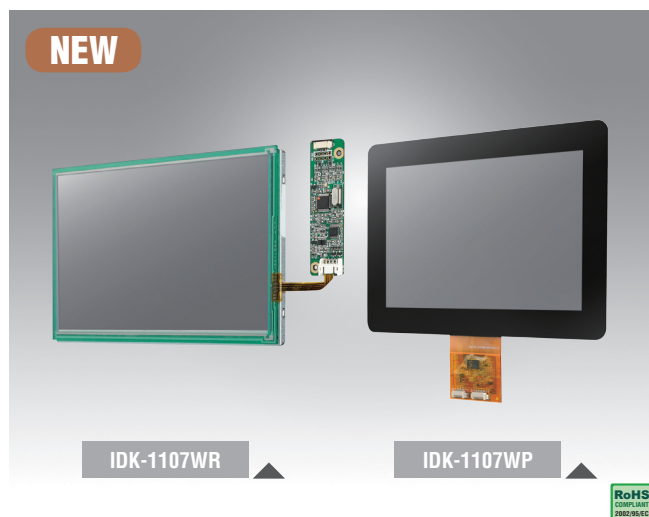


IDK-1107W

7" WVGA/WSVGA Industrial Display kit with Touch Solution



Features

- 7" LCD supports 800 x 480 & 1024 x 600 pixels and wide operating temperature (-20 ~ 70° C)
- Brightness of 400 & 500 cd/m² with LED backlight
- 4-wire resistive and Projected Capacitive touch solution
- High contrast ratio of 1000:1 & 600:1 & 700:1
- High uniformity of 85%
- LVDS signal interface
- Low power consumption 3.35 W & 3.56W & 3.57 W (panel only)
- LED driver board built in
- Touch controller included (USB)
- AR surface treatment (optional)
- Optical bonding (optional)

Introduction

The Advantech IDK-1107W series comes with a 7" industrial grade LCD display with 4-wire resistive and Projected Capacitive touch. The series is also available with flexible options for LCD screens enhanced treatment such as anti-reflection surface treatment and optical bonding solution. IDK-1107W series with low power consumption at the maximum of 3.35 W & 3.56W & 3.57 W. IDK-1107W series is ideal for embedded applications that give customers maximum flexibility for mechanical design.

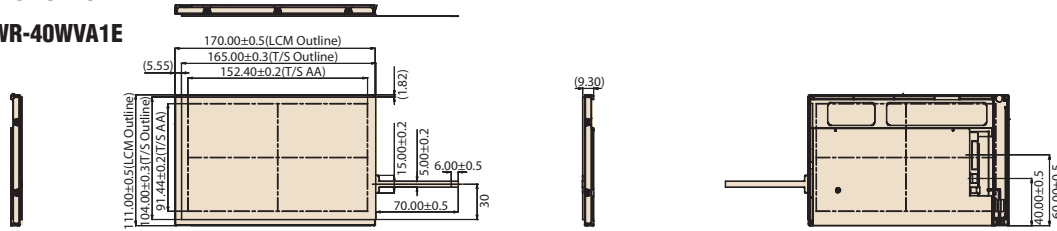
Specifications

Model	IDK-1107WR-40WVA1E	IDK-1107WP-50WVA1E	IDK-1107WR-50WSA1E
LCD Panel	Display Size	7" LED backlight panel (WVGA)	7" LED backlight panel (WSVGA)
	Resolution	800 x 480	800 x 480
	Viewing Angle (U/D/L/R)	80° / 80° / 80° / 80°	60° / 60° / 70° / 70°
	Brightness	400 cd/m ²	500cd/m ²
	Backlight Life (hrs)	50,000 hrs	50,000 hrs
	Contrast Ratio	1000:1	600:1
	Response Time (ms)	30 ms	16 ms
	Colors	6 Bit (262K)/8 Bit (16.2 M)	6 Bit (262K)/8 Bit (16.2 M)
	Voltage	3.3 V Power	3.3 V Power
	Consumption	3.35 W	3.56 W
	Signal Interface	1 channel LVDS	1 channel LVDS
	Weight	305 g	160 g
	Dimensions (W x H x D)	170 x 111 x 7.5 mm	187.6 x 126.64 x 12.36 mm
Touch Screen	Touch Screen	4-wire Resistive	Projected Capacitive
	Transparency	82.5± 2.5%	90± 3%
	Surface Hardness	3H	7H
	Durability	1 million times	100 million times
Environment	Operating Temperature	-5 ~ 60° C	-20 ~ 70° C
	Storage Temperature	-30 ~ 70° C	-40 ~ 80° C
	Humidity	90% @ Max. 38° C, non-condensing	85% @ Max.38° C, non-condensing

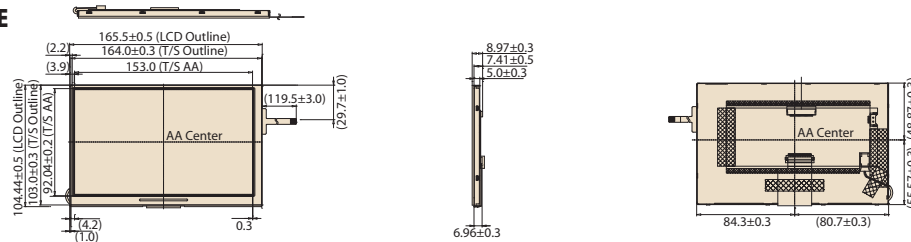
Dimensions

Unit: mm

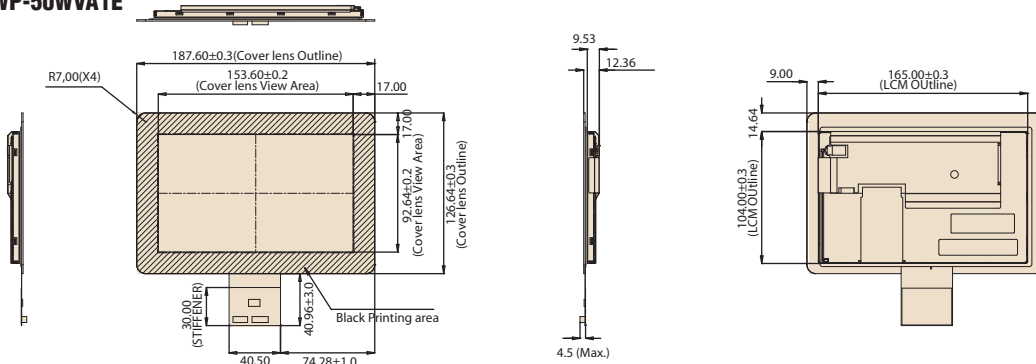
IDK-1107WR-40WVA1E



IDK-1107WR-50WSA1E



IDK-1107WP-50WVA1E



Ordering Information

Part No.	Size	Brightness (cd/m ²)	Interface	Touch screen	Touch Interface
IDK-1107WR-40WVA1E	7"	400	LVDS	4-wire Resistive	USB
IDK-1107WR-50WSA1E	7"	500	LVDS	4-wire Resistive	USB
IDK-1107WP-50WVA1E	7"	500	LVDS	Projected Capacitive	USB

Optional Order

For IDK-1107WR-40WVA1E

SBC Part No.	LVDS Cable P/N	Display Interface	B/L Cable P/N	Touch Interface	Touch Power Input
MIO-5250	96CB-L2040PAB4	LVDS: Single channel 18bit	96CB-E0405PAB3	USB	5V
PCM-9363	96CB-L2020PAB2	LVDS: Single channel 18bit	96CB-E0405PAB3	USB	5V
AIMB-270	96CB-L2040PAB4	LVDS: Single channel 18bit	96CB-E0405PAB3	USB	5V

For IDK-1107WR-50WSA1E

SBC Part No.	LVDS Cable P/N	Display Interface	B/L Cable P/N	Touch Interface	Touch Power Input
MIO-5250	96CB-L2040PID4	LVDS: Single channel 18bit	96CB-E0505PAC3	USB	5V
PCM-9363	96CB-L2020PID2	LVDS: Single channel 18bit	96CB-E0505PAC3	USB	5V
AIMB-270	96CB-L2040PID4	LVDS: Single channel 18bit	96CB-E0505PAC3	USB	5V

Packing List

Part Number	Description
ETM-RES05C-EEH4EE	1 x 4-wire USB Touch controller
1700020324-01	1 x USB Touch cable 5P-2.0/USB-A (M) 180CM (for "R" series)
1700024865-01	1 x USB Touch cable 5P-2.0/USB-A (M) 180CM (for "P" series)

Note: Package contents are subject to change without prior notice

For IDK-1107WP-50WVA1E

SBC Part No.	LVDS Cable P/N	Display Interface	B/L Cable P/N	Touch Interface	Touch Power Input
AIMB-270	96CB-L2040PCA4	LVDS: Single channel 18bit	96CB-E0405PCA3	USB	5V

For more compatible embedded board solution, please visit our Build Your Display web page as below:
<http://www.advantech.com/buildyourdisplay>

X-ON Electronics

Largest Supplier of Electrical and Electronic Components

Click to view similar products for [Specialised Cables](#) category:

Click to view products by [Advantech](#) manufacturer:

Other Similar products are found below :

[603PT6](#) [603SS6L](#) [604PT6](#) [604SS6](#) [706000D02F200](#) [910640](#) [1200740077](#) [1200740114](#) [AC172](#) [ACL-SSI-4](#) [R88ACAKA0015SRE](#)
[R88ACAWL005SDE](#) [R88ACRGD0R3C](#) [1300150047](#) [1300660036](#) [1302262116](#) [1300150149](#) [1300220020](#) [1300220104](#) [1300220119](#)
[1301240492](#) [1301810221](#) [1365323-1](#) [1613055](#) [176P12](#) [1971465-2](#) [20240400003](#) [20240400013](#) [2085828-1](#) [20886510030](#) [2-22733-8](#) [22733-](#)
[8](#) [CB-704EC-RS](#) [CB-BATACC-RS](#) [CB-JST3PSW-RS](#) [CB-M12COM-R10](#) [25AC84](#) [25AK84X](#) [25AU25](#) [25FN82](#) [3011-03](#) [AC118](#) [ACL-](#)
[HHS-1M\(CAT5E\)](#) [SSL009PC2DC012N](#) [FC2A-KC6C](#) [2085828-2](#) [20886510150](#) [CCS-FCB-5](#) [CCSFCBF2](#) [R88A-CRWB020N](#)