

# 96PSA-A150W19P4-1

Adapter Power Supply



## Features

- Full range AC input 90V~264V
- Meet Energy Star EPS 2.0 /ErP Lot 7
- No load Power Consumption  $\leq 0.21W$
- High Reliability
- Available for high altitude(5,000M) and DOE level VI

## General

Advantech Part Number	96PSA-A150W19P4-1
Description	FSP A/D 100240V 150W 19VAdapter
Manufacturer	FSP Technology

## Output Specifications

Output Power	150W
Output Voltage & Current	19VDC@7.1A
Efficiency (%)	100Vac / 5A load $\geq 86\%$ 240Vac / 5A load $\geq 89\%$
Main Connector	Signal

## Mechanical

Form Factor	N/A
Dimension (L x W x H)	171x72x42mm
Vibration	0.01g <sup>2</sup> /Hz at 5 Hz
MTBF	200,000 hours at 25°C
Fan Function	NO
Power Switch Function	NO

## Input Specifications

Input Voltage Range	100 - 240V
Input Current	100Vac, 240Vac / 7.89A load $\leq$ 2A
Input Frequency	4763Hz
PFC Function	W/PFC
Input Current Type	AC to DC

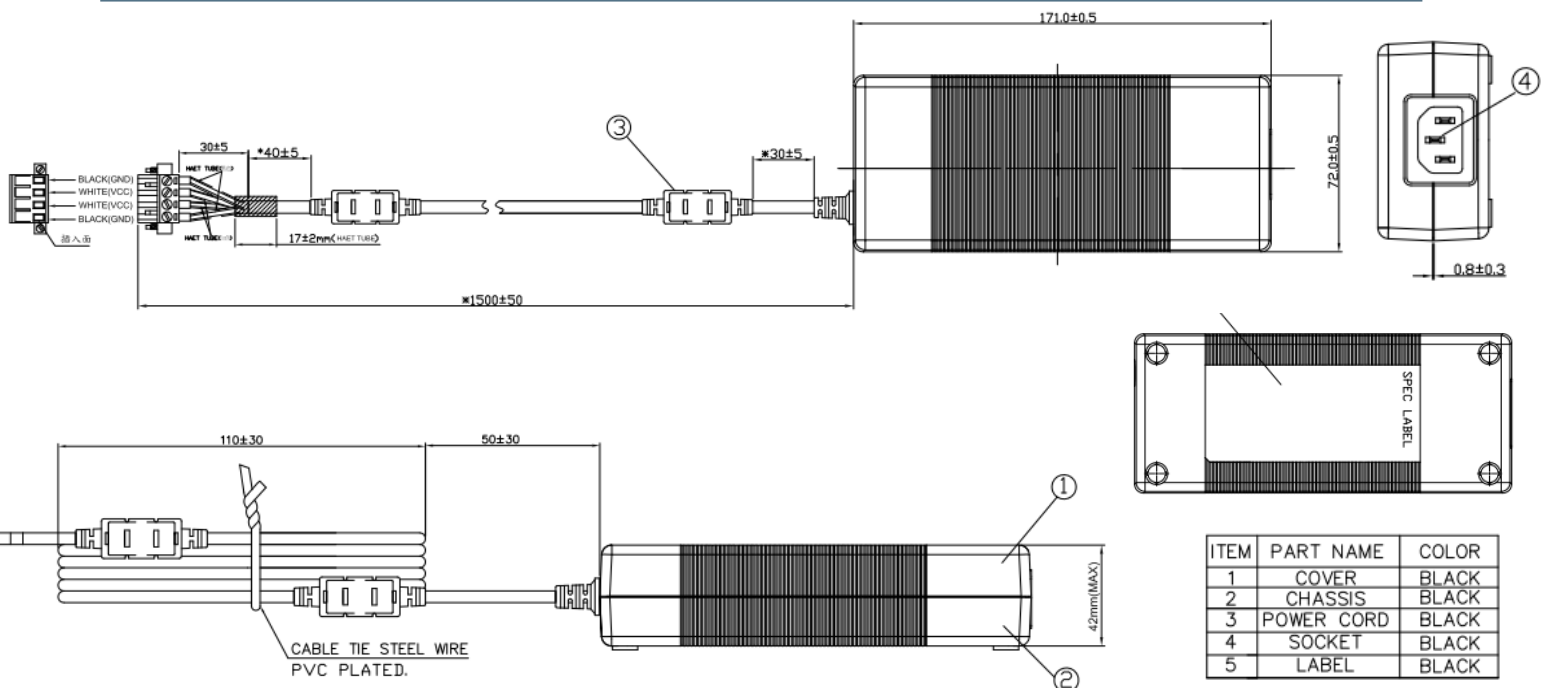
## Environmental Specification

Storage Temp.	-20 to +80°C
Storage Humidity	10 – 90% RH
Operating Temp. (°C)	0 to + 40°C

## Safety

Safety & EMC	Class B
Max Temp. (°C) @ Load	70C @ 70%
Safety Standard	CUL (UL 60950) / CB (IEC 60950) / CCC / CE / FCC / GS (EN 60950) / KC / PSE / RCM / IRAM / CU / Efficiency Level VI
RoHs	YES

## Drawing



## X-ON Electronics

Largest Supplier of Electrical and Electronic Components

*Click to view similar products for [Desktop AC Adapters](#) category:*

*Click to view products by [Advantech](#) manufacturer:*

Other Similar products are found below :

[212A2136](#) [ADP485-01](#) [SWA-1202](#) [SWA-1501](#) [212A2220](#) [432703037451](#) [KR8-PS01](#) [1894875](#) [FWE050024B-10A](#) [820A4080G](#) [825A0057-03](#) [SWA-1704W](#) [AD5012N2LM-\(401\)](#) [TRH21A120-49E03-Level-VI](#) [FWC100024A-11A](#) [FWE050012B-10A](#) [AC-DC ADAPTER 90W w/ Cable](#) [FWA065024A-11A](#) [PSA120U-560L6](#) [96PSA-A63W18V1-M](#) [1895235](#) [PW-C0725-W2-B](#) [57-U1](#) [57-U2](#) [CENB1040A1245F02](#) [SED80N2-16.0](#) [SED80N3-16.0](#) [RFQ43442-01](#) [YS50-1903150](#) [PCM50UT04](#) [PCM50UT05](#) [Adapter 24V230W FSP230-AAAN3 WIRE FSP](#) [TRH100A240-11E12 VI](#) [TR70MB360-01E03 VI](#) [TRH50A240-11E01 VI](#) [TRE36A120-01G03 VI](#) [TRH100A180-11E12 VI](#) [AMA65DR4-120054Y](#) [AMA90DR4-240037Y](#) [AMA90DR5-120075Y](#) [AMA24DR4-120150Y](#) [AMA24DR5-120150Y](#) [AMA36DR4-120250Y](#) [TRE36A050-11G02 VI](#) [TRE36A090-11G03 VI](#) [TRE36A120-11G03 VI](#) [TRE36A135-11G03 VI](#) [TRE36A150-11G03 VI](#) [TRE36A180-11G03 VI](#) [TRE36A240-11G03 VI](#)