

96PSA-A60W12R1-1

Adapter Power Supply



Features

- Full range AC input 90V~264V
- Meet Energy Star EPS 2.0 /ErP Lot 7
- No load Power Consumption $\leq 0.21W$
- High Reliability
- Available for high altitude(5,000M) and DOE level VI

General

Advantech Part Number	96PSA-A60W12R1-1
Description	FSP A/D 100240V 60W 12V WO/PFC Adapter
Manufacturer	FSP Technology

Output Specifications

Output Power	60W
Output Voltage & Current	12VDC@5A
Efficiency (%)	88% minimum
Main Connector	Signal

Mechanical

Form Factor	N/A
Dimension (L x W x H)	110x62.2x31.3mm
Vibration	1g ² /Hz at 10500 Hz
MTBF	100,000 hours at 25°C
Fan Function	NO
Power Switch Function	NO

Input Specifications

Input Voltage Range	100 - 240V
Input Current	1.5A max @ 90vac input & full load
Input Frequency	4763Hz
PFC Function	W/O PFC
Input Current Type	AC to DC

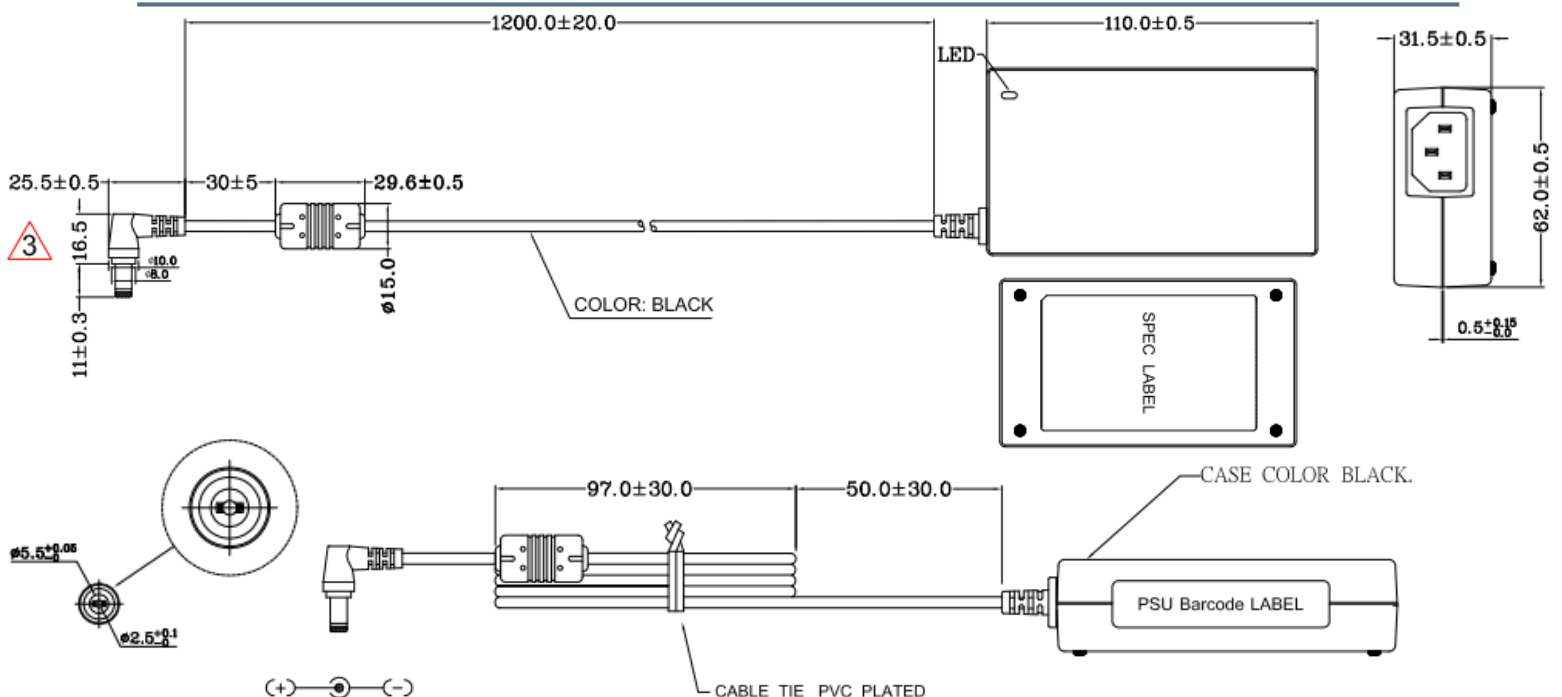
Environmental Specification

Storage Temp.	-20 to +70°C
Storage Humidity	10 – 90% RH
Operating Temp. (°C)	0 to + 40°C

Safety

Safety & EMC	Class B
Max Temp. (°C) @ Load	70C @ 80%
Safety Standard	CUL (UL 60950) / CB (IEC 60950) / CCC / CE / FCC / GS (EN 60950) / KC / RCM / BSMI / PSE // BIS / IRAM / PSB / NOM / Efficiency Level VI
RoHs	YES

Drawing



X-ON Electronics

Largest Supplier of Electrical and Electronic Components

Click to view similar products for [Desktop AC Adapters](#) category:

Click to view products by [Advantech](#) manufacturer:

Other Similar products are found below :

[212A2136](#) [ADP485-01](#) [SWA-1202](#) [SWA-1501](#) [212A2220](#) [432703037451](#) [KR8-PS01](#) [1894875](#) [FWE050024B-10A](#) [820A4080G](#) [825A0057-03](#) [SWA-1704W](#) [AD5012N2LM-\(401\)](#) [TRH21A120-49E03-Level-VI](#) [FWC100024A-11A](#) [FWE050012B-10A](#) [AC-DC ADAPTER 90W w/ Cable](#) [FWA065024A-11A](#) [PSA120U-560L6](#) [96PSA-A63W18V1-M](#) [1895235](#) [PW-C0725-W2-B](#) [57-U1](#) [57-U2](#) [CENB1040A1245F02](#) [SED80N2-16.0](#) [SED80N3-16.0](#) [RFQ43442-01](#) [YS50-1903150](#) [PCM50UT04](#) [PCM50UT05](#) [Adapter 24V230W FSP230-AAAN3 WIRE FSP](#) [TRH100A240-11E12 VI](#) [TR70MB360-01E03 VI](#) [TRH50A240-11E01 VI](#) [TRE36A120-01G03 VI](#) [TRH100A180-11E12 VI](#) [AMA65DR4-120054Y](#) [AMA90DR4-240037Y](#) [AMA90DR5-120075Y](#) [AMA24DR4-120150Y](#) [AMA24DR4-150150Y](#) [AMA24DR5-120150Y](#) [AMA36DR4-120250Y](#) [TRE36A050-11G02 VI](#) [TRE36A090-11G03 VI](#) [TRE36A120-11G03 VI](#) [TRE36A135-11G03 VI](#) [TRE36A150-11G03 VI](#) [TRE36A180-11G03 VI](#)