

ARK-6622

Compact Chassis with one front slot for Mini-ITX Motherboard



Features

- With front I/O interfaces and one expansion slot
- Shockproof drive bay for two 2.5" HDDs
- Bottom door to access CF card or Mini-PCIe card
- LED indicators for system fault detection
- Equipped 180W FLEX power supply



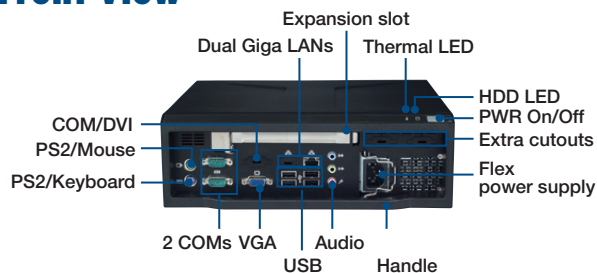
Specifications

Disk Drive Bay	2.5" (internal)	2	
Front I/O Openings	USB	4	
	PS/2	2	
	COM	2	
	DVI/COM	1	
	RJ-45	2	
	Audio	3 (Mic-in, Line-out, Line-in)	
	VGA	1	
	Expansion slot	1*	
	Reserved cutouts	2 x DB-9 and 2 x Wireless Antenna Opening	
Cooling	System Fan	ARK-6622H	ARK-6622L
		2 (6 cm/27.7CFM)	1 (6 cm/15.4CFM)
	Air Filter	Yes	Yes
Miscellaneous	LED Indicators	Power, HDD, Temperature	
	Control	Power switch	
Environment	Temperature	Operating 0 ~ 40° C (32 ~ 104° F)	Non-operating -20 ~ 60° C (-4 ~ 140° F)
	Humidity	10 ~ 85%, @ 40° C, non-condensing	10 ~ 95%, @ 40° C, non-condensing
	Vibration (5 ~ 500 Hz)	1 Grms	2 G
	Shock	10 G (with 11ms duration, half sine wave)	30 G
	Physical Characteristics	Dimensions (W x H x D)	272 x 88 x 232 mm (10.7" x 3.5" x 9.1")
	Weight	3.49 kg (7.68 lb)	

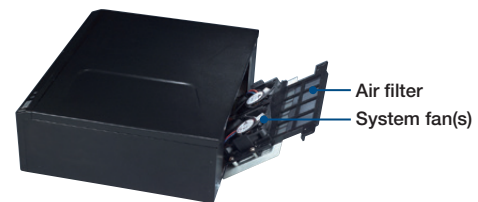
* The expansion slot is supported by dedicated riser cards, so an optional riser card is required for the add-on card.

* 176 mm (W) x 22 mm (H) space is available for add-on cards to assemble in slot.

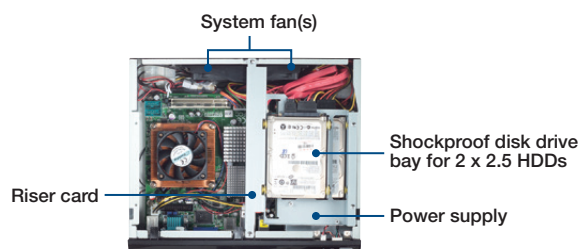
Front View



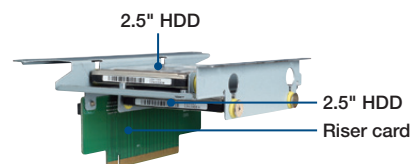
Rear Cover for Replacing Fans

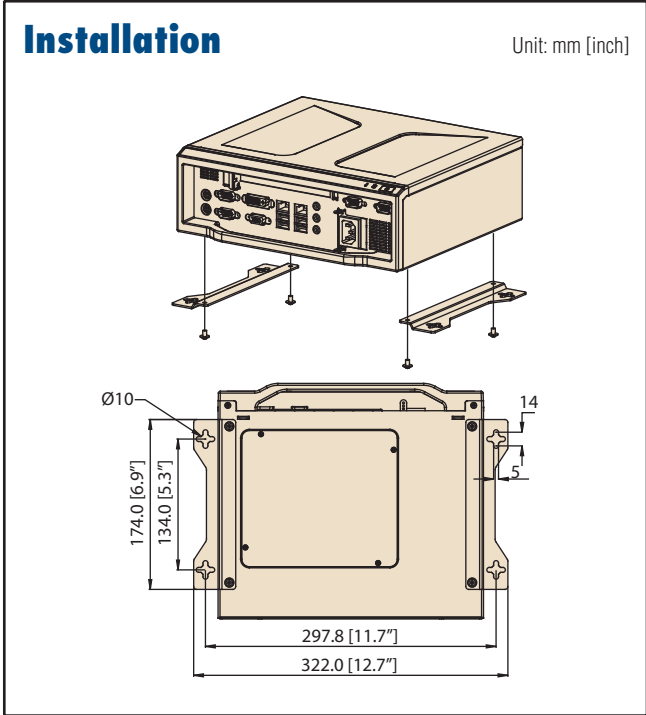
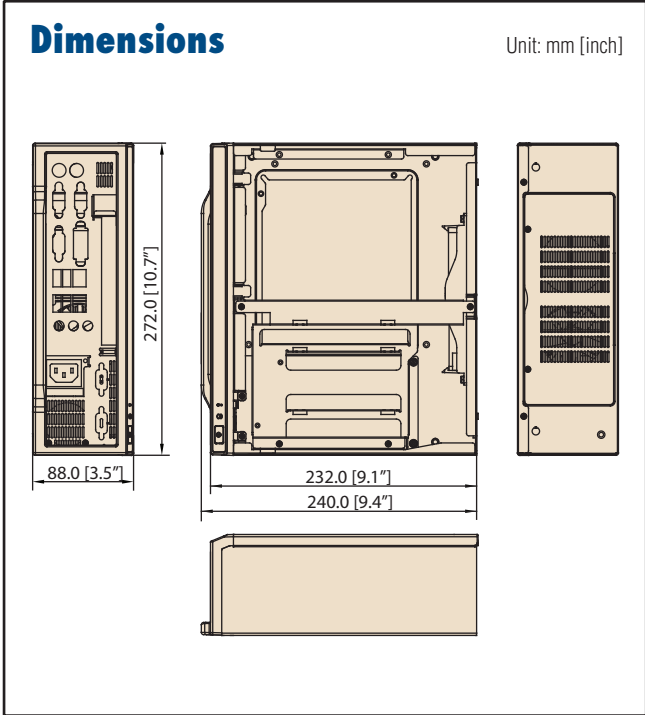


Inside View



2.5" HDDs and Riser Card Bracket





Ordering Information

Part Number	Power Supply	Recommended Motherboard	Recommended Riser Card
ARK-6622H-18ZE	1757000878	AIMB-270/262	9892662210E
ARK-6622L-18ZE	1757000878	AIMB-258 AIMB-210	9892662210E 9892662200E

Optional Accessories

Part Number	Description
9892662200E	PCI Interface Riser Card (for AIMB-210)
9892662210E	PCIe x16 Interface Riser Card (AIMB-258/262/270)
98R2662001E	VESA mounting kit
1750006419	27.7 CFM system cooling fan (For ARK-6622H)
1750005863	15.4 CFM system cooling fan (For ARK-6622L)

X-ON Electronics

Largest Supplier of Electrical and Electronic Components

Click to view similar products for [Modules Accessories](#) category:

Click to view products by [Advantech](#) manufacturer:

Other Similar products are found below :

[7010-0001](#) [AX98219](#) [A1UL8RISER](#) [F1UJPMICRISER](#) [FHW1U16RISER](#) [20-101-0440](#) [2828736-1](#) [MBCDROM](#) [AX61221TM](#) [VM-105](#)
[EA CARREDIPTFT02](#) [RK-210E-B](#) [E226171106](#) [88606200030E](#) [SI-HDMI-EDID-EM](#) [MIC-75M13-00A1E](#) [FPM-1000T-SMKE](#) [AMK-](#)
[R004E](#) [96FMCF-ST2ADAPTER1](#) [AHWKPTP12GBGB](#) [AXXSTCPUCAR](#) [FPK-07-R10](#) [Mini Din 6P to 6P HARNESS](#) [FPF1320 POWER](#)
[MULTIPLEXER CARRIER](#) [881261510A0E](#) [AXXP3SWX08080](#) [conga-B7XD/CSP-Cu-B](#) [881281021A0E](#) [HFT for mounting KIT](#)
[FN928X_FN929X](#) [BB-MH112-1A](#) [15100600](#) [9-5000-1116](#) [BKCMCR1ABB](#) [70763](#) [98R3612003E](#) [881261910A0E](#) [106897](#) [48222R](#)
[BREAK OUT BOARD 20](#) [4D ARDUINO ADAPTOR SHIELD II](#) [20926110901](#) [PYCASE GREEN](#) [PYCASE BLUE](#) [FP15072_ZORYA-SC-](#)
[HEKLA](#) [20952000004](#) [20953000007](#) [DP-DVI-R10](#) [575-BBIS](#) [RACK-220GW/A130B](#) [492-BBKM](#)