

Accessories

DIN-rail Terminal Boards



ADAM-3940

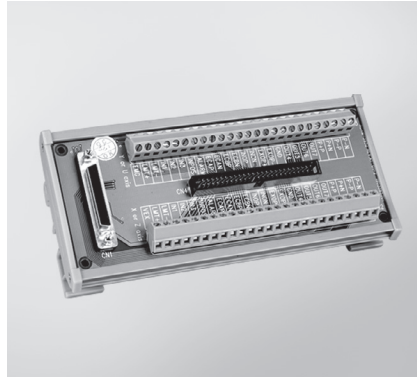
40-pin Wiring Board with LED

Features

- DIN-rail wiring board
- Dimensions (W x L x H): 160 x 50 x 43 mm (6.3" x 2" x 1.7")
- 40-pin box header connector
- LED indicators

To Be Used With

AMAX-2241, AMAX-2242, AMAX-2243



ADAM-3952

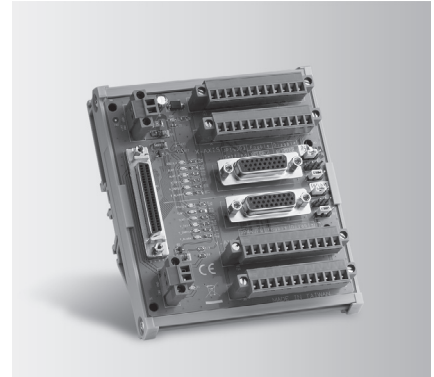
50-pin SCSI and IDC DIN-rail Wiring Board

Features

- DIN-rail wiring board
- Dimensions (W x L x H): 77.5 x 179.5 x 41.5 mm (3.1" x 7.1" x 1.6")
- 50-pin SCSI and IDC connectors

To Be Used With

PCI-1220U, PCI-1240U, PCI-1245, PCI-1245E, PCI-1245L, PCI-1265, PEC-3240



ADAM-3955

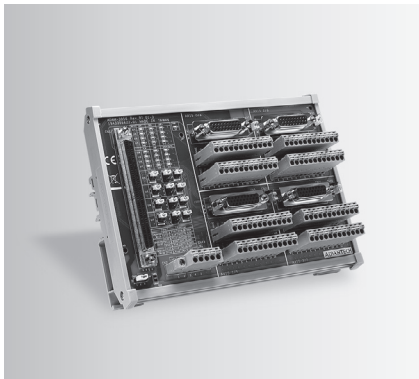
50-pin SCSI DIN-rail Motion Wiring Board

Features

- DIN-rail wiring board
- Dimensions (W x L x H): 103 x 120 x 45 mm (4.12" x 4.8" x 1.8")
- DB-26 and connector
- LED indicators

To Be Used With

PCI-1220U, PCI-1240U, PCI-1245, PCI-1245E, PCI-1245L, PCI-1265, PEC-3240



ADAM-3956

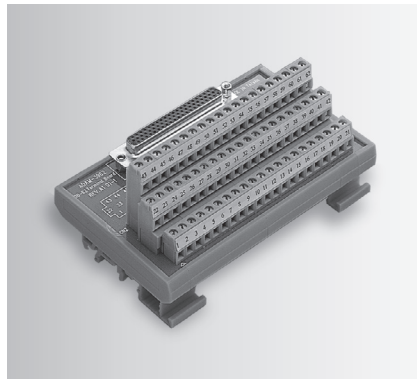
100-pin SCSI DIN-rail Motion Wiring Board

Features

- DIN-rail wiring board
- Dimensions (W x L x H): 122 x 171 x 45 mm (4.8" x 6.73" x 1.77")
- DB-26 and connector
- LED indicators

To Be Used With

PCI-1220U, PCI-1240U, PCI-1245 series, PCI-1245L, PCI-1274, PCI-1265, PCI-1285 series, MVP-3245, MAS-3245



ADAM-3962

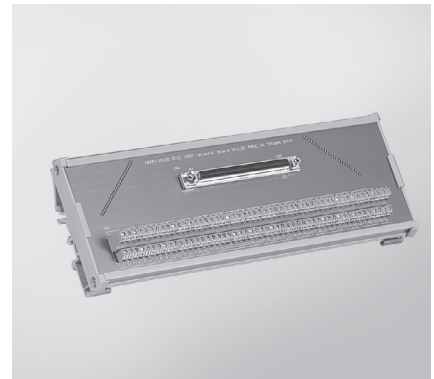
DB62 DIN-rail Wiring Board

Features

- Low cost universal DIN-rail mounting screw terminal module with DB62 female connector
- Screw-clamp terminal blocks allow easy and reliable connections
- Case dimensions (W x L x H): 77.5 x 124.5 x 63.5 mm (3.1" x 4.9" x 2.5")

To Be Used With

PCI-1243U



ADAM-39100

100-pin DIN-rail SCSI Wiring Board

Features

- Low cost universal DIN-rail mounting screw terminal module for industrial applications with 100-pin SCSI female connector
- Dimensions (W x L x H): 80 x 230 x 42 mm (3.14" x 9.05" x 1.65")

To Be Used With

PCI-1240U, PCI-1245, PCI-1245E, PCI-1245L, PCI-1265, PCI-1285, PCI-1285E, PCIE-1756, PCI-1756

X-ON Electronics

Largest Supplier of Electrical and Electronic Components

Click to view similar products for [Terminal Block Interface Modules](#) category:

Click to view products by [Advantech](#) manufacturer:

Other Similar products are found below :

[GCN1MX25B](#) [DIN-50P-01](#) [DIN-68H-01](#) [DIN-96DI-01](#) [FLKM-2I/O](#) [2281759](#) [TB ML 3P ST D5.08](#) [5601749](#) [5541962](#) [1776613-1](#) [GCN1-004A](#) [060-6827-06](#) [MINI MCR-2-PTB](#) [UM 25-D 9SUB/B/FRONT/Q](#) [MINI MCR-2-RTD-UI-PT](#) [MINI MCR-2-UI-REL-PT](#) [MINI MCR-2-POT-UI-PT](#) [MINI MCR-2-F-UI-PT](#) [MACX MCR-VAC](#) [5775235](#) [ADAM-3956-BE](#) [XW6T-COM1.5X20BL](#) [7760054354](#) [XW6T-COM2.5X8BL](#) [1976610000](#) [UM 45-D50SUB/B/ZFKDS](#) [MCR-SLP-1/5-UI-0](#) [TB-6231-01](#) [5541234](#) [410-261](#) [5521322](#) [2902003](#) [208BR](#) [5604835](#) [2281678](#) [2294490](#) [2302913](#) [2304445](#) [2311344](#) [2314260](#) [2314273](#) [2316311](#) [2316312](#) [2316372](#) [2319427](#) [2321981](#) [2904286](#) [2904289](#) [2903910](#) [2688093](#)