

ADAM-4060

ADAM-4068

ADAM-4069

4-ch Relay Output Module

8-ch Relay Output Module with Modbus

8-ch Power Relay Output Module with Modbus



ADAM-4060



ADAM-4068



ADAM-4069



Specifications

General

- **Certification** FCC, CE
- **Connectors** 2 x plug-in terminal blocks (#14 ~ 22 AWG)
- **Power Consumption** 0.9 W @ 24 V DC typ.
1.1 W @ 24 V DC max.
- **Watchdog Timer** System (1.6 second)
- **Supported Protocols** ASCII command and Modbus/RTU

Relay Output

- **Breakdown Voltage** 500 V_{AC} (50/60 Hz)
- **Channels** 2 x Form A
2 x Form C
- **Contact Rating (Resistive)** 0.6 A @ 125 V_{AC}
0.3 A @ 250 V_{AC}
2 A @ 30 V_{DC}
0.6 A @ 110 V_{DC}
- **Initial Insulation Resistance** 1 GΩ min. at 500 V_{DC}
- **Relay off Time (Typical)** 2 ms
- **Relay on Time (Typical)** 3 ms
- **Maximum Operating Speed** 20 operations/min (at related load)

Specifications

General

- **Certification** FCC, CE
- **Connectors** 2 x plug-in terminal blocks (#14 ~ 28 AWG)
- **Power Consumption** 1 W @ 24 V DC typ.
1.7 W @ 24 V DC max.
- **Watchdog Timer** System (1.6 second) & Communication
- **Supported Protocols** ASCII command and Modbus/RTU

Relay Output

- **Breakdown Voltage** 500 V_{AC} (50/60 Hz)
- **Channels** 4 x Form A
4 x Form C
- **Contact Rating (Resistive)** 0.5 A @ 120 V_{AC}
0.25 A @ 240 V_{AC}
1 A @ 30 V_{DC}
0.3 A @ 110 V_{DC}
- **Initial Insulation Resistance** 1 GΩ min. at 500 V_{DC}
- **Relay off Time (Typical)** 4 ms
- **Relay on Time (Typical)** 3 ms
- **Maximum Operating Speed** 50 operations/min (at related load)

Specifications

General

- **Certification** FCC, CE, UL
- **Connectors** 2 x plug-in terminal blocks (#14 ~ 28 AWG)
- **Power Consumption** 1.3 W @ 24 V DC typ.
2.3 W @ 24 V DC max.
- **Watchdog Timer** System (1.6 second) & Communication
- **Supported Protocols** ASCII command and Modbus/RTU

Relay Output

- **Breakdown Voltage** 1,000 V_{AC} (50/60 Hz)
- **Channels** 4 x Form A
4 x Form C
- **Contact Rating (Resistive)** 5 A @ 250 V_{AC}
5 A @ 30 V_{DC}
- **Initial Insulation Resistance** 1 GΩ min. at 500 V_{DC}
- **Relay off Time (Typical)** 5.6 ms
- **Relay on Time (Typical)** 5 ms
- **Maximum Operating Speed** 6 operations/min (at related load)

Common Specifications

General

- **Power Input** Unregulated 10 ~ 30 V_{DC}

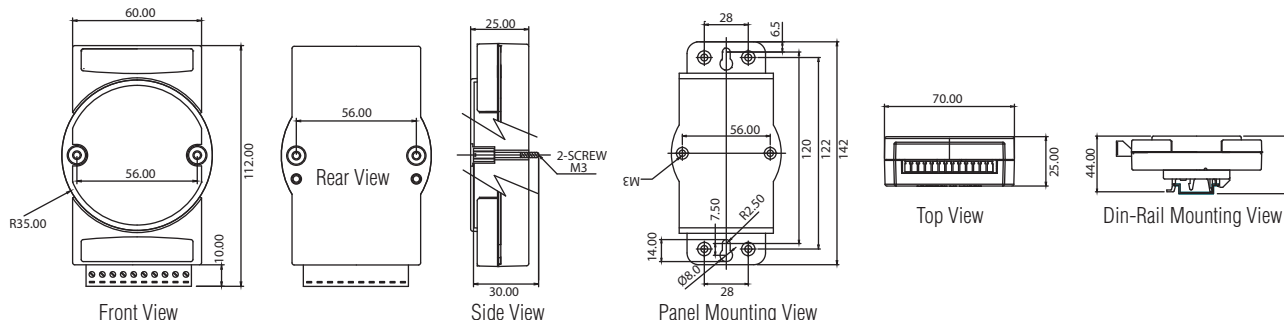
Environment

- **Operating Humidity** 5 ~ 95% RH
- **Operating Temperature** -10 ~ 70°C (14 ~ 158°F)
- **Storage Temperature** -25 ~ 85°C (-13 ~ 185°F)

Ordering Information

- **ADAM-4060** 4-ch Relay Output Module
- **ADAM-4068** 8-ch Relay Output Module with Modbus
- **ADAM-4069** 8-ch Power Relay Output Module with Modbus

Dimensions



X-ON Electronics

Largest Supplier of Electrical and Electronic Components

Click to view similar products for [I/O Modules](#) category:

Click to view products by [Advantech](#) manufacturer:

Other Similar products are found below :

[70L-IDC5S](#) [70L-OAC-L](#) [70Z3289-4](#) [G21960000700](#) [G21960002700](#) [G34960002700](#) [OACU](#) [C4SWOUT](#) [PB16H](#) [G34960001700](#) [G3TA-OA101SZ-1](#) [DC24](#) [G77-S](#) [5607189](#) [DA5](#) [ODC-24A](#) [IDC5P](#) [FC6A-N16B1](#) [6421](#) [70MRCQ32-HL](#) [G3TAOD201SDC24](#) [C200H-LK201-V1](#)
[G3TA-OA202SZ-US](#) [DC12](#) [GT1-OD16](#) [GT1-AD04CST](#) [B7AM-6BS](#) [70GRCQ24-HS](#) [6422](#) [84110410](#) [GT1-OD16MX](#) [G7VC-OC16-B7](#)
[70MRCK24-DIN](#) [6202](#) [6402](#) [PI/NI-2D/24](#) [FC6A-J2C1](#) [FC6A-KC1C](#) [FC6A-R081](#) [FC6A-J8CU1](#) [GP32900003700](#) [641-480-5022](#) [PB16H](#)
[84145010](#) [84110210](#) [FRUSB1601](#) [PCL-720+-BE](#) [FRRJ451601](#) [AP24MX3DB25F](#) [ADAM-5053S-AE](#) [WISE-S614-A](#) [C200H-OD211](#)