

# ADAM-4060

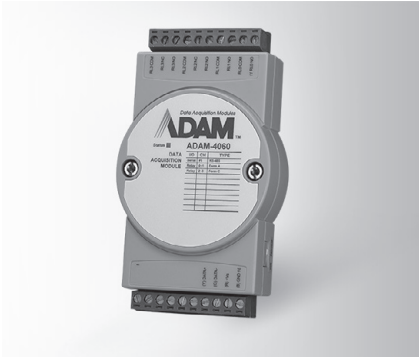
# ADAM-4068

# ADAM-4069

4-ch Relay Output Module with Modbus

8-ch Relay Output Module with Modbus

8-ch Power Relay Output Module with Modbus



ADAM-4060



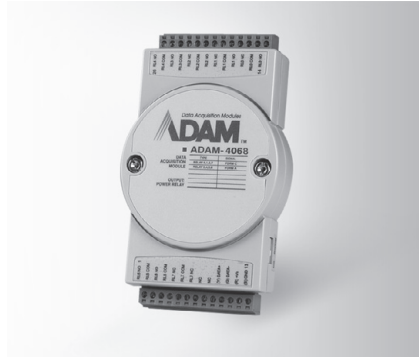
## Specifications

### General

- **Certification** FCC, CE
- **Connectors** 2 x plug-in terminal blocks (#14 ~ 22 AWG)
- **Power Consumption** 0.9 W @ 24 V DC typ.  
1.3 W @ 24 V DC max.
- **Watchdog Timer** System (1.6 second)
- **Supported Protocols** ASCII command and Modbus/RTU

### Relay Output

- **Breakdown Voltage** 500 V<sub>AC</sub> (50/60 Hz)
- **Channels** 2 x Form A  
2 x Form C
- **Contact Rating (Resistive)** 0.6 A @ 125 V<sub>AC</sub>  
0.3 A @ 250 V<sub>AC</sub>  
2 A @ 30 V<sub>DC</sub>  
0.6 A @ 110 V<sub>DC</sub>
- **Initial Insulation Resistance** 100 MΩ min. at 500 V<sub>DC</sub>
- **Relay off Time (Typical)** 5 ms
- **Relay on Time (Typical)** 4 ms
- **Maximum Operating Speed** 20 operations/min (at related load)



ADAM-4068



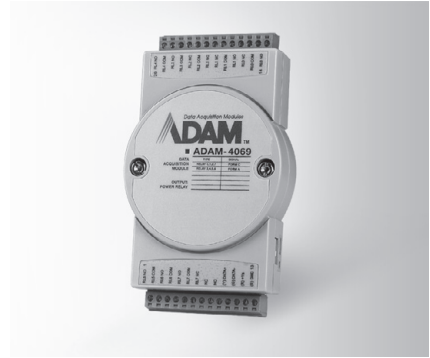
## Specifications

### General

- **Certification** FCC, CE
- **Connectors** 2 x plug-in terminal blocks (#14 ~ 28 AWG)
- **Power Consumption** 1 W @ 24 V DC typ.  
1.7 W @ 24 V DC max.
- **Watchdog Timer** System (1.6 second) & Communication
- **Supported Protocols** ASCII command and Modbus/RTU

### Relay Output

- **Breakdown Voltage** 500 V<sub>AC</sub> (50/60 Hz)
- **Channels** 4 x Form A  
4 x Form C
- **Contact Rating (Resistive)** 0.5 A @ 120 V<sub>AC</sub>  
0.25 A @ 240 V<sub>AC</sub>  
1 A @ 30 V<sub>DC</sub>  
0.3 A @ 110 V<sub>DC</sub>
- **Initial Insulation Resistance** 1 GΩ min. at 500 V<sub>DC</sub>
- **Relay off Time (Typical)** 4 ms
- **Relay on Time (Typical)** 3 ms
- **Maximum Operating Speed** 50 operations/min (at related load)



ADAM-4069



## Specifications

### General

- **Certification** FCC, CE
- **Connectors** 2 x plug-in terminal blocks (#14 ~ 28 AWG)
- **Power Consumption** 1.3 W @ 24 V DC typ.  
2.3 W @ 24 V DC max.
- **Watchdog Timer** System (1.6 second) & Communication
- **Supported Protocols** ASCII command and Modbus/RTU

### Relay Output

- **Breakdown Voltage** 1,000 V<sub>AC</sub> (50/60 Hz)
- **Channels** 4 x Form A  
4 x Form C
- **Contact Rating (Resistive)** 5 A @ 250 V<sub>AC</sub>  
5 A @ 30 V<sub>DC</sub>
- **Initial Insulation Resistance** 1 GΩ min. at 500 V<sub>DC</sub>
- **Relay off Time (Typical)** 5.6 ms
- **Relay on Time (Typical)** 5 ms
- **Maximum Operating Speed** 6 operations/min (at related load)

## Common Specifications

### General

- **Power Input** Unregulated 10 ~ 30 V<sub>DC</sub>

### Environment

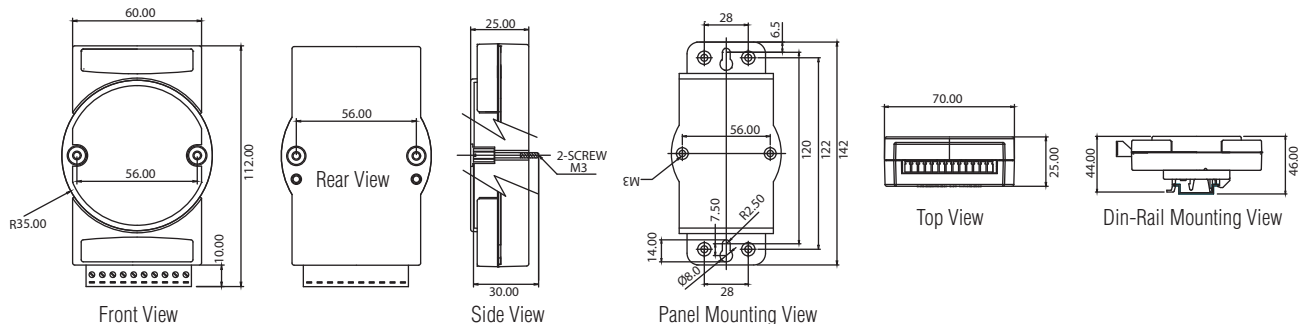
- **Operating Humidity** 5 ~ 95% RH
- **Operating Temperature** -10 ~ 70°C (14 ~ 158°F)
- **Storage Temperature** -25 ~ 85°C (-13 ~ 185°F)

## Ordering Information

- **ADAM-4060-F** 4-ch Relay Output Module with Modbus
- **ADAM-4068-C** 8-ch Relay Output Module with Modbus
- **ADAM-4069-B** 8-ch Power Relay Output Module with Modbus

## Dimensions

Unit: mm



## X-ON Electronics

Largest Supplier of Electrical and Electronic Components

*Click to view similar products for [I/O Modules](#) category:*

*Click to view products by [Advantech](#) manufacturer:*

Other Similar products are found below :

[70L-OAC-L](#) [G21960000700](#) [G34960002700](#) [G88104401](#) [IDC-5B](#) [OACU](#) [C4SWOUT](#) [FC6A-T32K3](#) [SNAP-OAC5MA](#) [FC6A-N16B3](#)  
[FC6A-N32B3](#) [FC6A-T16P3](#) [G3TAOD201SDC24](#) [PB32HQ](#) [PB16T](#) [PB8](#) [PB8H](#) [C200H-OD211](#) [GT1-AD04CST](#) [GT1-DA04](#) [70GRCQ24-](#)  
[HS](#) [M-OAC5](#) [G4OAC24AMA](#) [2736505](#) [6202](#) [6402](#) [IL MOD BK DI8 DO4-PAC](#) [FC6A-J2C1](#) [FC6A-KC1C](#) [FC6A-N08A11](#) [FC6A-M24BR1](#)  
[FC6A-K4A1](#) [FC6A-T32P3](#) [9-1393028-2](#) [GP32900003700](#) [641-480-5022](#) [PB16H](#) [WISE-4050/LAN-B](#) [WISE-S614T-A](#) [ADAM-4068-C](#)  
[56475](#) [ADAM-4017+-F](#) [ADAM-4118-C](#) [AMAX-4856-B](#) [WISE-4050-B](#) [ADAM-4051-C](#) [ADAM-4053-F](#) [GT1-AD08MX](#) [TM5SDO6TBFS](#)  
[70Q3446](#)