

# ADAM-4571/L

# ADAM-4570/L

1-port RS-232/422/485 Serial Device Server

2-port RS-232/422/485 Serial Device Server



## Specifications

### Ethernet Communications

- **Compatibility** IEEE 802.3, IEEE 802.3u
- **Speed** 10/100 Mbps
- **No. of Ports** 1
- **Port Connector** 8-pin RJ45
- **Protection** Built-in 1.5 KV magnetic isolation

### Serial Communications

- **Port Type** ADAM-4571/4570: RS-232/422/485, software selectable  
ADAM-4571L/4570L: RS-232
- **No. of Ports** ADAM-4571/4571L: 1  
ADAM-4570/4570L: 2
- **Port Connector** ADAM-4571/4571L: DB9 male  
ADAM-4570/4570L: 10-pin RJ48
- **Data Bits** 5, 6, 7, 8
- **Stop Bits** 1, 1.5, 2
- **Parity** None, Odd, Even, Space, Mark
- **Flow Control** XON/XOFF, RTS/CTS
- **Baud Rate** 50 bps ~ 921.6 kbps, any baud rate setting
- **Serial Signals** RS-232: TxD, RxD, CTS, RTS, DTR, DSR, DCD, RI, GND  
RS-422: TxD+, TxD-, RxD+, RxD-, GND  
RS-485: Data+, Data-, GND
- **Protection** 15 KV ESD protection for all signals

### Software

- **OS Support** 32-bit/64-bit Windows XP/Vista/7/8, Windows Server 2003/2008/2008 R2/2012, Windows CE 5.0, and Linux
- **Utility Software** Advantech EKI Device Configuration Utility
- **Operation Modes** COM port redirection (Virtual COM)  
TCP/UDP server (polling) mode  
TCP/UDP client (event handling) mode  
Pair Connection (peer to peer) mode
- **Configuration** Windows utility, Telnet console, Web Browser
- **Protocol** ARP, ICMP, IP, TCP, UDP, BOOTP, DHCP Client, Auto IP, Telnet, SNMP, HTTP, DNS, SMTP

### Mechanics

- **Dimension (W x H x D)** 70 x 130 x 30 mm (2.76" x 5.12" x 1.18")
- **Enclosure** ABS+PC with solid mounting hardware
- **Mounting** DIN-rail, Stack, Wall
- **Weight** ADAM-4571/4571L: 135 g  
ADAM-4570/4570L: 160 g

### General

- **LED Indicators** System: Power, System Status  
LAN: Speed, Link/Active  
Serial: Tx, Rx
- **Reboot Trigger** Built-in WDT (watchdog timer)

### Power Requirements

- **Power Input** 10 ~ 30 V<sub>DC</sub>
- **Power Connector** Terminal block
- **Power Consumption** ADAM-4571/4571L: 2.5 W  
ADAM-4570/4570L: 2.5 W

### Environment

- **Operating Temperatures** -10 ~ 60°C (14 ~ 140°F)
- **Storage Temperature** -20 ~ 80°C (-4 ~ 176°F)
- **Operating Humidity** 5 to 95% RH

### Regulatory Approvals

- **EMC** CE, FCC Part 15 Subpart B (Class A)

## Ordering Information

- **ADAM-4571** 1-port RS-232/422/485 Serial Device Server
- **ADAM-4571L** 1-port RS-232 Serial Device Server
- **ADAM-4570** 2-port RS-232/422/485 Serial Device Server
- **ADAM-4570L** 2-port RS-232 Serial Device Server

\*ADAM-4570/4570L includes 2pcs OPT1A

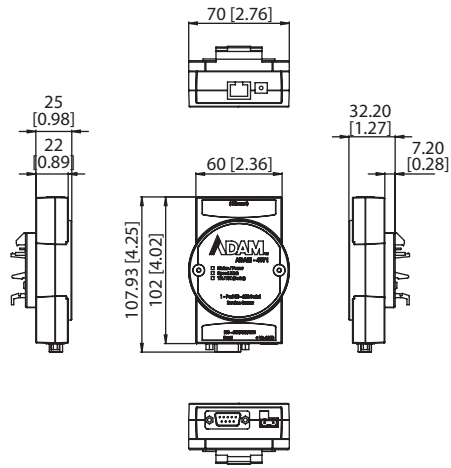
### Accessories

- **OPT1A** 1 m RJ48 to DB9 Male Cable
- **OPT1D** 30 cm RJ48 to DB9 Male Cable

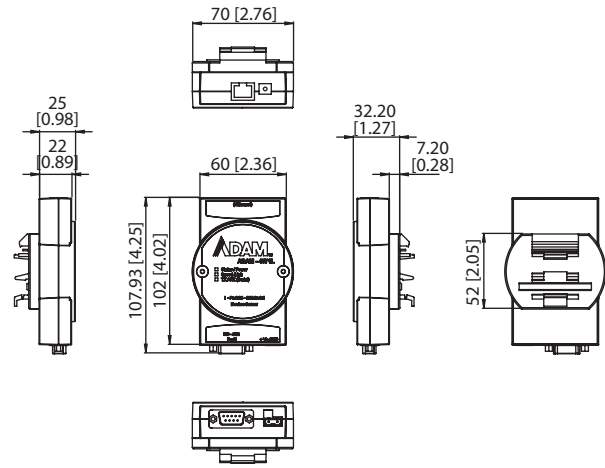
**Dimensions**

Unit: mm [inch]

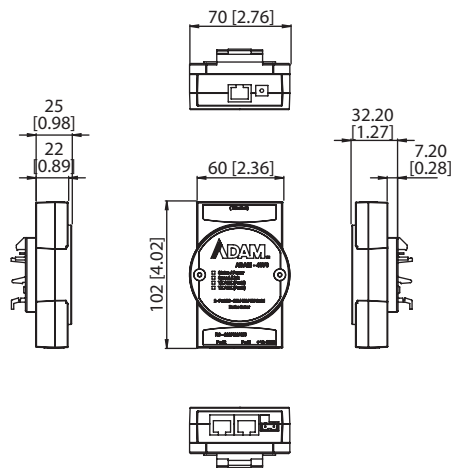
**ADAM-4571**



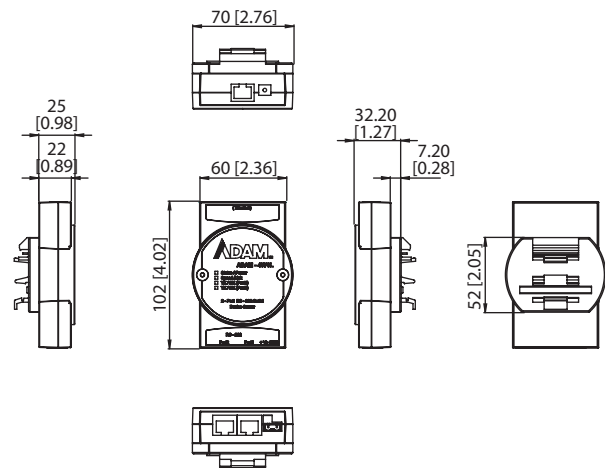
**ADAM-4571L**



**ADAM-4570**



**ADAM-4570L**



## X-ON Electronics

Largest Supplier of Electrical and Electronic Components

*Click to view similar products for [Servers](#) category:*

*Click to view products by [Advantech](#) manufacturer:*

Other Similar products are found below :

[70002259](#) [70002261](#) [VESR321-ML](#) [NBLM-LM1CR](#) [EKI-1528TI-VDC-CE](#) [ADAM-4570L-DE](#) [ADAM-4571-CE](#) [XPC100200S-01](#) [ESP904](#)  
[96NIC-10G2P-IN](#) [ADAM-4570-CE](#) [ADAM-4571L-DE](#) [EKI-1361-MB-BE](#) [EKI-1362-BE](#) [EKI-1362-MB-BE](#) [EKI-1521-CE](#) [EKI-1522-CE](#)  
[EKI-1524-CE](#) [EKI-1526-CE](#) [EKI-1526I-CE](#) [EKI-1528-CE](#) [ABDN-ER-IN5018](#) [ESP901](#) [ESP902](#) [ESR901](#) [ESR902](#) [ESR904](#) [BB-VESR902T](#)  
[VESR902D](#) [VESR902T](#) [70002412](#) [70002263](#) [70002265](#) [70002269](#) [70002271](#) [70002277](#) [70002279](#) [70002281](#) [70002285](#) [70002404](#)  
[70002406](#) [70002410](#) [70002414](#) [70002418](#) [ED1100002-01](#) [ED2100002-01](#) [ED41000P0-01](#) [ED41000P2-01](#) [PEN100100A-01-IT](#)  
[SLC80082201S](#)