

## AIIS-DIO32

### DIO module, 32-bit, 9-pin USB interface

## Startup Manual

### Packing List

Before you begin installing your card, please make sure that the following items have been shipped:

1. 1 x AIIS-DIO module
2. 1 x Cable
3. 2 x Screws
4. 2 x POST (Silver color)
5. 2 x POST (Golden color; 18mm for AIIS-1240)
6. 2 x POST (Golden color; 20mm for AIIS-1440)
7. 1 x Startup manual
8. 1 x China RoHS
9. 1 x Warranty

If any of these items are missing or damaged, please contact your distributor or sales representative immediately.

### Specifications

#### General Features

- 16 isolated DI and 16 isolated DO channels
- High voltage isolation on all channels (2,500 V)
- Supports 5 ~ 60 Vdc isolated input channels
- Interrupt handling capability
- Timer/counter capability

#### Support List

AIIS-1240-00A1E
AIIS-1440-00A1E

**Note:** For more support list, please visit our website.

#### Mechanical and Environmental

- **Dimensions:** 95.9 mm x 46.2 mm
- **Operating temperature:** 0 ~ 45° C
- **Operating humidity:** 10 ~ 95% @40° C, Non-Condensing
- **Storage temperature:** -40 ~ 70° C
- **Storage humidity:** 10 ~ 95% @60° C, Non-Condensing
- **Weight:** 0.3 kg

### Connector

There is one connector on the module is used to connect with AIIS Series Motherboard. The below table lists the function of the connector.

#### Connectors

Label	Function
USB1	Connecting module and MB

For more information on this and other Advantech products, please visit our website at:

<http://www.advantech.com>

<http://www.advantech.com/eplatform>

For technical support and service, please visit our support website at:

<http://support.advantech.com>

This manual is for the IPMI-1000 Series.

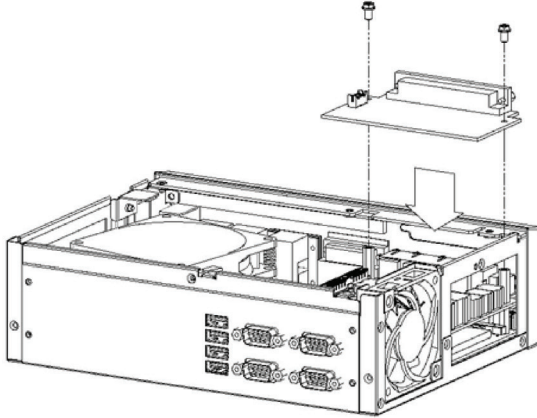
Part No. 2006I03200

Print in China

1st Edition  
November 2013

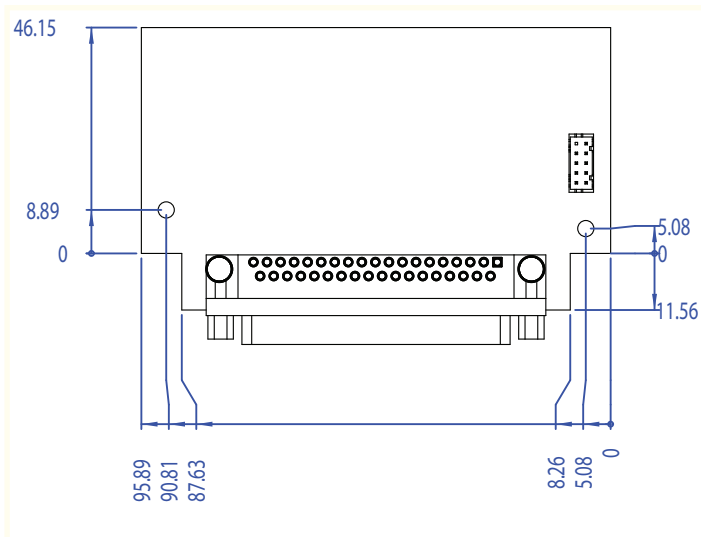
## Installation Guide

1. Remove top cover.
2. Install the AIIS-DIO32 with 2 stand-off and 2 screws.
3. Connecting main board USB12 connector with AIIS-DIO32 USB1 connector via DIO cable.
4. Reinstall top cover.



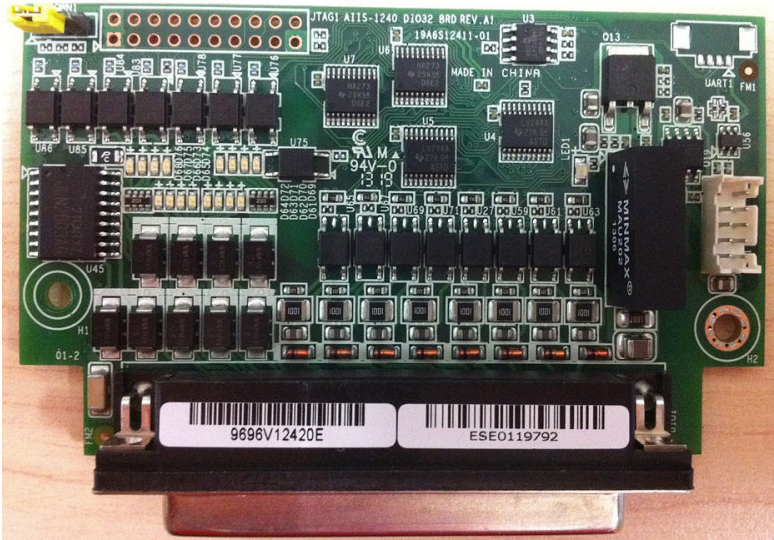
*Figure 1: Installation Guide*

## Dimension

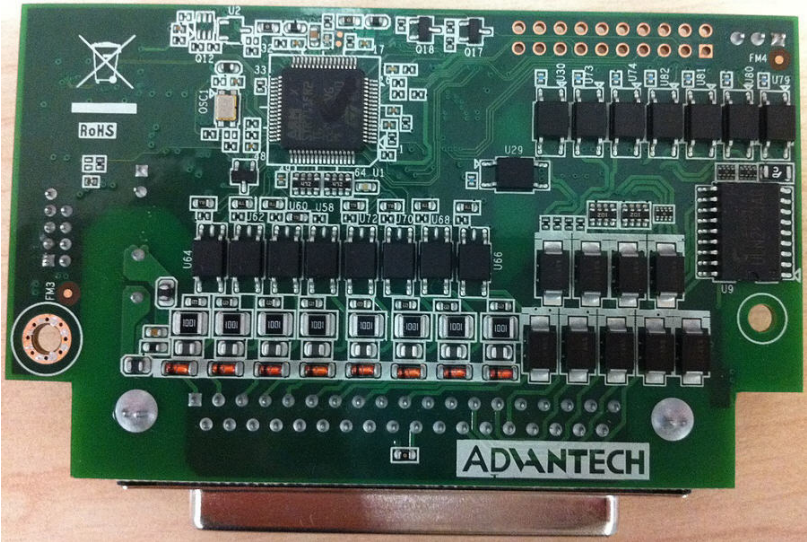


*Figure 2: AIIS-DIO32 Dimension*

**Board Layout**



*Figure 2: AIIS-DIO32 Top Side Board Layout*



*Figure 4: AIIS-DIO32 Bottom Side Board Layout*

## X-ON Electronics

Largest Supplier of Electrical and Electronic Components

*Click to view similar products for [I/O Modules](#) category:*

*Click to view products by [Advantech](#) manufacturer:*

Other Similar products are found below :

[70L-IDC5S](#) [70L-OAC-L](#) [70Z3289-4](#) [G21960000700](#) [G21960002700](#) [G34960002700](#) [OACU](#) [C4SWOUT](#) [PB16H](#) [G34960001700](#) [G3TA-OA101SZ-1](#) [DC24](#) [G77-S](#) [5607189](#) [DA5](#) [ODC-24A](#) [IDC5P](#) [FC6A-N16B1](#) [6421](#) [70MRCQ32-HL](#) [G3TAOD201SDC24](#) [C200H-LK201-V1](#)  
[G3TA-OA202SZ-US](#) [DC12](#) [GT1-OD16](#) [GT1-AD04CST](#) [B7AM-6BS](#) [70GRCQ24-HS](#) [6422](#) [84110410](#) [GT1-OD16MX](#) [G7VC-OC16-B7](#)  
[70MRCK24-DIN](#) [6202](#) [6402](#) [PI/NI-2D/24](#) [FC6A-J2C1](#) [FC6A-KC1C](#) [FC6A-R081](#) [FC6A-J8CU1](#) [GP32900003700](#) [641-480-5022](#) [PB16H](#)  
[84145010](#) [84110210](#) [FRUSB1601](#) [PCL-720+-BE](#) [FRRJ451601](#) [AP24MX3DB25F](#) [ADAM-5053S-AE](#) [WISE-S614-A](#) [C200H-OD211](#)