

# DS-270

## OPS Intel Celeron J1900 Quad-Core SoC with Advanced NVIDIA GeForce GT730M Graphics up to 4K resolution

**NEW**



### Features

- Intel Celeron J1900 low power Quad-Core SoC OPS platform
- Integrated NVIDIA GeForce GT 730M to support up to 4K2K resolution (3840 x 2160 @ 30Hz)
- Designed compliant with OPS (Open Pluggable Specification)
- Content management software built-in for content editing, scheduling and remote monitoring functions
- Slot-in Integration, easy maintenance

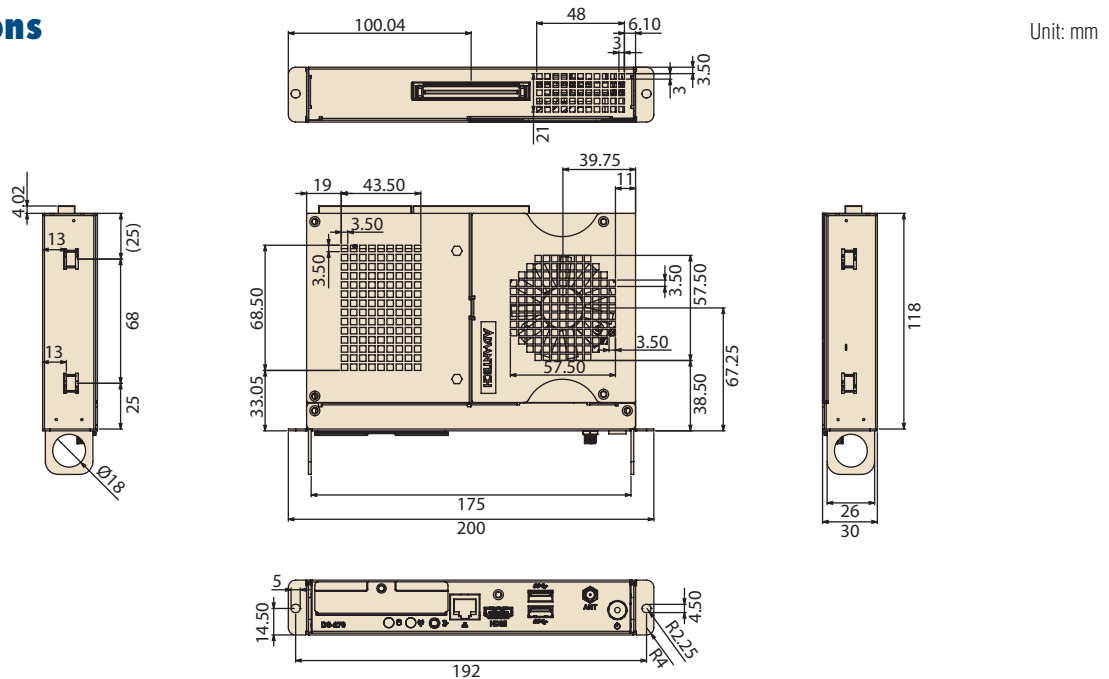


### Specifications

Processor System	CPU	Intel Celeron J1900 QuadCore SoC 2.00GHz
	System Chipset	Integrated in CPU
	BIOS	AMI uEFI 64M bit
Memory	Technology	2 x DDR3L 204-pin SO-DIMM*
	Max. Capacity	8 GB (up to 4GB per each SO-DIMM)
Display	Chipset	NVIDIA GeForce GT730M
	Memory Size	Independent display memory 1024MB
	Resolution (Chipset support)	HDMI up to 3840 x 2160 @ 30Hz (Front); HDMI/ DP up to 3840 x 2160 @ 30Hz (via OPS interconnection)
	Video format	H.264, VC1, MPEG-1, MPEG-2, MPEG-4 Part 2SP, MPEG-4 ASP, WMV9, DivX3.11
Storage	SATA Interface	1 x 2.5-inch SATA II HDD/SSD (supports 7mm height only)
Ethernet	Interface	Gigabit LAN Controller
	Controller	Intel I211
	Connector	1 x RJ-45
I/O Interface	JAE Connector	1 (JAE TX25 80-pin)
	HDMI (front)	1
	LAN	1 (RJ-45)
	USB	2 (USB 3.0 compliant)
	Audio	1 x Line-out (supports Jack Sense via OS setting)
	Mini-PCIe (Internal)	1 (full size, support mSATA)
Power Requirement	Management	ACPI 3.0
	Power Consumption	Typical: 11.82W (w/o expansion); Max.: 21.84W (w/o expansion)
	Input Voltage	12V -24V DC-in (via OPS interconnection)
Watchdog Timer	Output	Interrupt, system reset
	Interval	Programmable by SUSIAccess
Physical Characteristics	Dimensions (W x H x D)	200 x 30 x 119 mm (OPS compliant)
	Weight	1.5 kg (3.3 lb.)
Environment	Operating Temperature	0° C ~ 40° C (32~104° F) w/ HDD; 0° C - 50° C (32~122° F) w/ SSD
	Relative Humidity	95% @ 40° C (non-condensing), operating
	Vibration Resistance	0.2Grms, IEC 60068-2-64, random, 5-500 Hz, 1 Oct./ min, 1hr/ axis (w/ HDD)
Software Development Kit	Operating System	Windows 8 (64bit), Windows 7 (64bit), Linux (by project)
	Remote Device Management	SUSIAccess
	System Recovery	Acronis
	Anti-Virus	McAfee
Certification	Electromagnetic	CE, FCC Class B, BSMI, C-Tick
	Safety	UL, CB, CCC, BSMI

\*If only one RAM, please insert it into SO-DIMM 1 slot and boot up.

## Dimensions



## External I/O

Front



Back



## Packing List

Part number	Description
-	1x DS-270 unit
-	1x China RoHS
-	1x Simplified user manual

## Embedded OS

Part number	Description
2070013497	Img DS-270 (J1900) WES7E x64 5.6.8 EN, JP, TC, SC; SA
2070013498	Img DS-270 (J1900) WES7P x64 5.6.6 EN, JP, TC, SC; SA
2070013455	Img WE8S DS-270GQ-S6A1E x64 V6.5.2 10multi

Before the OS installation, the OS selection should be set and matched what OS applied from BIOS.

## Ordering Information

Part number	Description
DS-270GB-S6A1E	DS-270, J1900+nV GT730M, Barebone
DS-270GF-S6A1E	DS-270, J1900+nV GT730M, 2G RAM, 64G SSD

## Optional Items

Part number	Description
AMO-I013E	Docking Board, OPS JAE TX24/DC-in Jack/HDMI/DP/COM/USB
AMO-WIFI06E	Realtek/wifi 802.11bgn/miniPCle, cable,antenna
AMO-HSDPA02E	U-blox/HSDPA 6band/miniPCle,cable,antenna

## X-ON Electronics

Largest Supplier of Electrical and Electronic Components

*Click to view similar products for [Modules Accessories](#) category:*

*Click to view products by [Advantech](#) manufacturer:*

Other Similar products are found below :

[7010-0001](#) [AX98219](#) [A1UL8RISER](#) [F1UJPMICRISER](#) [FHW1U16RISER](#) [20-101-0440](#) [MBCDROM](#) [AX61221TM](#) [VM-105](#) [EA](#)  
[CARREDIPTFT02](#) [RK-210E-B](#) [E226171106](#) [88606200030E](#) [SI-HDMI-EDID-EM](#) [MIC-75M13-00A1E](#) [FPM-1000T-SMKE](#) [AMK-R004E](#)  
[96FMCF-ST2ADAPTER1](#) [AHWKPTP12GBGB](#) [AXXSTCPUCAR](#) [FPK-07-R10](#) [Mini Din 6P to 6P HARNESS](#) [FPF1320 POWER](#)  
[MULTIPLEXER CARRIER](#) [881261510A0E](#) [AXXP3SWX08080](#) [conga-B7XD/CSP-Cu-B](#) [881281021A0E](#) [HFT for mounting KIT](#)  
[FN928X\\_FN929X](#) [BB-MH112-1A](#) [15100600](#) [9-5000-1116](#) [BKCMCR1ABB](#) [70763](#) [98R3612003E](#) [881261910A0E](#) [106897](#) [48222R](#) [4D](#)  
[ARDUINO ADAPTOR SHIELD II](#) [20926110901](#) [PYCASE GREEN](#) [PYCASE BLUE](#) [FP15072\\_ZORYA-SC-HEKLA](#) [20952000004](#)  
[20953000007](#) [DP-DVI-R10](#) [575-BBIS](#) [RACK-220GW/A130B](#) [492-BBKM](#) [IP411](#) [70760](#)