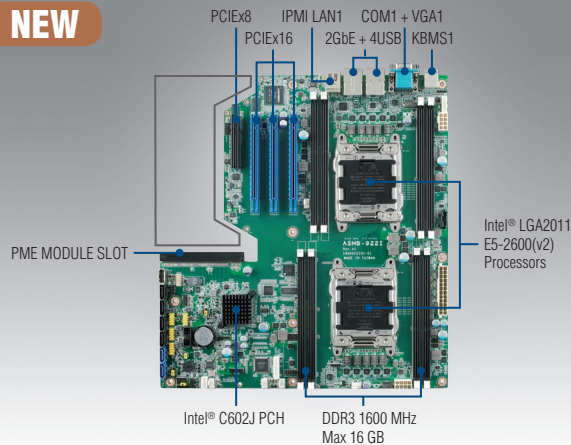


ASMB-922

Dual Intel® Xeon® E5-2600 / 2600 v2 EATX Server Board with DDR3, 3 PCIe x16 + 1 PCIe x8, PME support

NEW



Features

- EATX Server Board with dual Xeon® 2600 / 2600 v2 processor, PME flexible expansion and 128GB memory capacity
- DDR3 1600MHz RDIMM up to 128GB
- Three PCIe x16 slot(Gen3.0) + one PCIe x8 slot(Gen3.0) slots and PME expansion slot
- 0~40° C ambient operation temperature range

Note: ASMB-922 series could enable PME slot when processor is installed in CPU0 socket.

Software APIs:



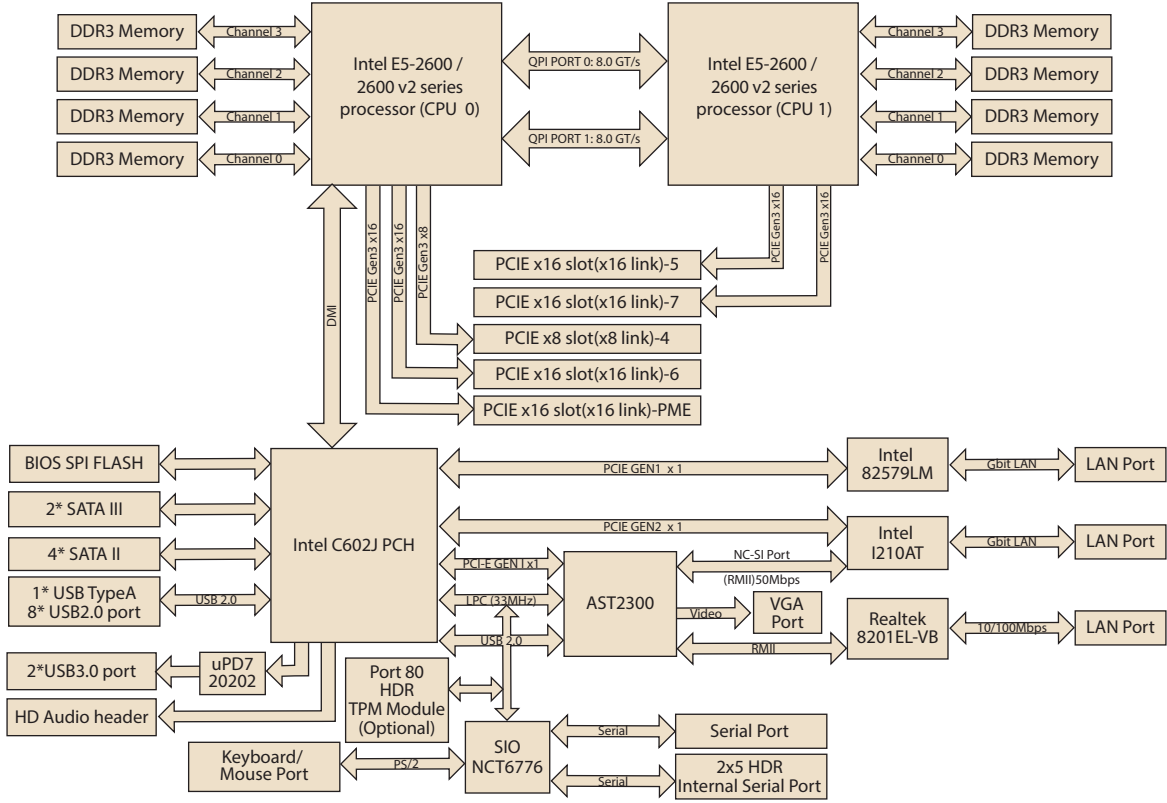
Utilities:



Specifications

| | | |
|--------------------------|-------------------------------|--|
| Form Factor | Extended ATX form factor | |
| Processor System | Socket | Intel LGA 2011 |
| | CPU type | Intel Xeon E5-2600 / 2600v2 dual processor (TDP up to 130W) |
| Core Logic | Chipset | Intel C602J chipset |
| | Total slots | 8 (Quad Channel) |
| Memory | Capacity | Maximum 128 GB ECC RDIMM |
| | Memory type | DDR3 ECC-REG/ECC/Non-ECC 1600/1333/1066 MHz DIMM |
| | Memory size | 1 GB, 2 GB, 4 GB, 8 GB, 16 GB |
| Expansion Slots | Total PCI/PCI-X/PCIe slots | 7 |
| | Slot location 1 | Fit to PME daughter board |
| | Slot location 2 | Fit to PME daughter board |
| | Slot location 3 | Fit to PME daughter board |
| | Slot location 4 | 1 x PCIe x8 slot (Gen3 x8 link), signal from CPU0 |
| | Slot location 5 | 1 x PCIe x16 slot (Gen3 x16 link), signal from CPU1 |
| | Slot location 6 | 1 x PCIe x16 slot (Gen3 x16 link), signal from CPU0 |
| Graphics | VGA | Aspeed AST2300 64 MB |
| | Storage | Intel C602J: 4 SATA2 3 Gb/s ports, 2 SATA3 6Gb/s Intel Matrix Storage (for Windows only) (Supports software RAID 0, 1, 10 & 5) |
| Networking | SAS controller | - |
| | GbE LAN | 1 x Intel 82579LM + 1 x Intel I210AT |
| Onboard I/O Connectors | Floppy connector | - |
| | PSU connector | 24-pin SSI power connector + 8-pin SSI 12 V power connector + 8-pin SSI 12 V power connector |
| | USB connector | 4 (supports 6 USB port), 1* Type-A |
| | Fan header | 5 x 4pin |
| | SMBus | 1 |
| | Chassis intruder | 1 |
| | Front LAN LED | 2 |
| | Audio Header | 1 |
| Serial port header | 1 | |
| Rear I/O Connectors | External serial port | 1 |
| | External USB port | 4 (2*USB2.0 + 2*USB3.0) |
| | VGA port | 1 |
| | RJ-45 | 3 (1 port dedicated for IPMI function) |
| | PS/2 KB/mouse | 1 |
| Management Solution | Software | - |
| | Out of band remote management | Yes |
| Monitoring | CPU temperature | Yes |
| | System Monitoring | Yes |
| Watchdog Timer | Output | System reset |
| | Interval | Programmable 1 ~ 255 sec/min |
| Power Requirement | Power On | 3.3V 19.69A 5V 7.77A 12V 58.66A 5Vsb 2A -12V 0.5A |
| | Operating | Non-operating |
| Environment | Temperature | 0 ~ 40° C, depends on CPU speed and cooler solution -40 ~ 85° C |
| | Humidity | 0% ~ 90% 5% ~ 95% (Non condensing) |
| Physical Characteristics | Dimensions | 304.8 x 330.2 mm (12" x 13") |

Block Diagram



Ordering Information

| Part Number | Chipset | Memory | GbE LAN | IPMI | VGA Chip |
|-----------------|---------|----------------------|---------|------|----------|
| ASMB-922-00A1E | C602J | DDR3 Non-ECC/ECC/REG | 2 | - | AST 1300 |
| ASMB-922I-00A1E | C602J | DDR3 Non-ECC/ECC/REG | 2 | Yes | AST 2300 |

Packing List

| Part Number | Description | Quantity |
|----------------|-------------------|----------|
| 2066922100 | Driver CD | x 1 |
| 2006922110 | Startup manual | x 1 |
| 1700003194 | SATA data cables | x 2 |
| 1703150102 | SATA power cables | x 2 |
| 1960052312T000 | I/O shield | x 1 |
| 1700019748 | CPU power cables | x 2 |

Bracket View



ASMB-922I-00A1E



ASMB-922-00A1E

Optional Accessories

| Part Number | Description |
|------------------|--|
| ASMB-FF3P8-12A1E | PME card with 1 PCIe x8 slot (x8 link) and 1 PCIe x8 slot (x4 link) and 1 PCI slot |
| ASMB-FF3PX-12A1E | PME card with 2 PCI-X and 1 PCI slots |
| ASMB-FF20F-02A1E | PME card with 2 PCIe x16 slots |
| ASMB-FF208-02A1E | PME card with 2 PCIe x 8 slots |
| ASMB-FF404-04A1E | PME card with 4 PCIe x4 slots (Only fit to HPC-7400 chassis) |
| PCA-AUDIO-HDA1E | HD Audio-card |
| PCA-TPM-00A1E | TPM Module |
| 1960063011N001 | LGA2011 CPU cooler for 2U/4U chassis (TDP up to 130W) |
| 1960065591N001 | LGA2011 CPU0 heatsink for 1U chassis (TDP up to 130W) |
| 1960065593N001 | LGA2011 CPU1 heatsink for 1U chassis (TDP up to 130W) |
| 1700002204 | Dual port USB cable (27 cm) with bracket |
| 1700008461 | Four port USB cable (30.5 cm) with bracket |
| 1701090401 | COM port cable with bracket |

X-ON Electronics

Largest Supplier of Electrical and Electronic Components

Click to view similar products for [Modules Accessories](#) category:

Click to view products by [Advantech](#) manufacturer:

Other Similar products are found below :

[7010-0001](#) [AX98219](#) [A1UL8RISER](#) [F1UJPMICRISER](#) [FHW1U16RISER](#) [20-101-0440](#) [2828736-1](#) [MBCDROM](#) [AX61221TM](#) [VM-105](#)
[EA CARREDIPTFT02](#) [RK-210E-B](#) [E226171106](#) [88606200030E](#) [SI-HDMI-EDID-EM](#) [MIC-75M13-00A1E](#) [FPM-1000T-SMKE](#) [AMK-](#)
[R004E](#) [96FMCF-ST2ADAPTER1](#) [AHWKPTP12GBGB](#) [AXXSTCPUCAR](#) [FPK-07-R10](#) [Mini Din 6P to 6P HARNESS](#) [FPF1320 POWER](#)
[MULTIPLEXER CARRIER](#) [881261510A0E](#) [AXXP3SWX08080](#) [conga-B7XD/CSP-Cu-B](#) [881281021A0E](#) [HFT for mounting KIT](#)
[FN928X_FN929X](#) [BB-MH112-1A](#) [15100600](#) [9-5000-1116](#) [BKCMCR1ABB](#) [70763](#) [98R3612003E](#) [881261910A0E](#) [106897](#) [48222R](#)
[BREAK OUT BOARD 20](#) [4D ARDUINO ADAPTOR SHIELD II](#) [20926110901](#) [PYCASE GREEN](#) [PYCASE BLUE](#) [FP15072_ZORYA-SC-](#)
[HEKLA](#) [20952000004](#) [20953000007](#) [DP-DVI-R10](#) [575-BBIS](#) [RACK-220GW/A130B](#) [492-BBKM](#)