

# In-line USB Converters

Models BB-USOPTL4, BB-USPTL4, BB-USO9ML4

# ADVANTECH

www.advantech.com



BB-USOPTL4



BB-USO9ML4

## PRODUCT FEATURES

- Adds a COM port to your PC
- 2000 V RMS optical isolation (select models)
- 460.8 kbps data rate
- Quick, easy in-line installation
- Powered by USB port; no power supply required
- High retention USB port
- USB cable included
- Locked Serial Number option (-LS models)

Models BB-USOPTL4, BB-USPTL4 and BB-USO9ML4 are USB to one port RS-422/485 converters. Supporting 2-wire RS-485 or 4-wire RS-422/485 communications, these devices are great for applications requiring long range or multi-drop capabilities. High retention USB port holds standard USB cables tight.

Models BB-USOPTL4 & BB-USO9ML4 include circuitry with 2000 Volts isolation to protect against ground loops and voltage spikes. Models BB-USOPTL4 and BB-USPTL4 use pluggable terminal blocks on the RS-422/485 side while Model BB-USO9ML4 uses a DB9 connector on the RS-422/485 side. Two LEDs indicate data Transmit or Receive. The converters draw power from the USB port so no power supply is required. (USB cable included.)

Just install the drivers on the CD ROM and plug the converter into an available USB port on your computer or USB hub. The device appears as an additional COM port in Windows Device Manager, compatible with Windows applications.

## Universal Serial Bus (USB)

USB has become the connectivity workhorse of today's PCs, replacing classic serial ports. But, many commercial and industrial devices still use RS-422/485 interfaces. To connect these devices to modern PCs, you need robust and reliable conversion solutions. USB ports are becoming more common on commercial and industrial equipment such as point-of-sale peripherals, medical devices, scientific instrumentation, laboratory equipment and other devices or in environments where surges, spikes and ground loops are likely to occur.

## RS-485 Control

No special software is required to control the RS-485 Receiver or Transmit line driver. The driver is automatically enabled during each byte transmitted in RS-485 mode. The transmitter is always enabled in RS-422 mode. The receiver is tri-stated during each byte transmitted in the echo-off mode. The receiver is always enabled in the echo-on mode. There are 4.7k Ohm pull-up/pull-down resistors on the RDA and RDB lines. A termination resistor may be added to R16 if needed. See the RS-422/RS-485 Application Note (available on website) for more information on termination and DC biasing of an RS-485 network.

## ORDERING INFORMATION

| MODEL NO.     | ISOLATION | RS-422/RS-485 CONNECTOR  | LOCKED SERIAL NUMBER? |
|---------------|-----------|--------------------------|-----------------------|
| BB-USOPTL4    | 2 kV      | Pluggable Terminal Block | -                     |
| BB-USOPTL4-LS | 2 kV      | Pluggable Terminal Block | Yes                   |
| BB-USPTL4     | -         | Pluggable Terminal Block | -                     |
| BB-USPTL4-LS  | -         | Pluggable Terminal Block | Yes                   |
| BB-USO9ML4    | 2 kV      | DB9 Male Connector       | -                     |

## ACCESSORIES - sold separately

- BB-TB5P508SR-2PK** - 5-position terminal block with strain relief paddle board, 2 pack
- BB-USBAMB-3F** - 1 m (3.3 ft) Type A Male to Type B Male, gray (one included)
- BB-TBKT2** - Replacement Terminal Block - 5-position, 5.08mm, 8A, 30
- BB-9PAMF6** - DB9m/DB9f serial cable, 1.8m (6 ft)

## Locked Serial Numbers Explained

We configure our single-port USB to serial converters in two ways. In standard format, each product has a unique serial number. "Locked serial" format uses the same serial number that is associated with a model type.

If your converter will always be used with the same computer, the standard serialized model is all you need. If the converter is shared among several computers, like field service laptops, the locked serial number model lets you plug and play without having to worry about matching the two.

| Description                                      | Serialized      | Locked Serial Number |
|--|-----------------|----------------------|
| Every unit is assigned a unique COM port         | ✓               | -                    |
| Same type model numbers shares the same COM port | -               | ✓                    |
| Ideal applications                               | Fixed Locations | Field Service        |

When ordering Locked Serial Number versions, add a "-LS" to the item number. Serialized and Lock Serial Number versions sell for the same price.

All product specifications are subject to change without notice.  
BB-USOPTL4-BB-USPTL4-BB-USO9ML2\_1019ds

# ADVANTECH

orders@advantech-bb.com | eSales@advantech-bb.com

Headquarters: 707 Dayton Rd, PO Box 1040 Ottawa, IL 61350 USA (815)433-5100 or (800)346-3119/Toll Free Fax (815)433-5104  
European Office: Westlink Commercial Pk, Oranmore Co. Galway Ireland +353 91 792444 Fax +353 91 792445

# In-line USB Converters

Models BB-USOPTL4, BB-USPTL4, BB-USO9ML4



## SPECIFICATIONS

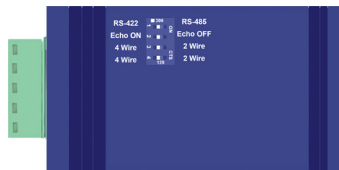
| SERIAL TECHNOLOGY               |  |
|---------------------------------|--|
| RS-422/485 4-Wire               | TDA(-), RDA(-), TDB(+), RDB(+), GND  |
| RS-485 2-Wire                   | Data A(-), Data B(+), GND  |
| Connector                       | Terminal block (BB-USOPTL4, BB-USOPTL4-LS, BB-USPTL4, BB-USPTL4-LS)<br>DB9 male connector (BB-USO9ML4) |
| Data Rate                       | 460.8 Kbps   |
| Isolation                       | 2 kV RMS (BB-USOPTL4, BB-USOPTL4-LS, BB-USO9ML4)   |
| Surge Protection                | 15kV ESD   |
| Industrial Bus                  | Modbus ASCII/RTU   |
| Bias                            | 4.7 KΩ on receive lines in RS-422/485 mode   |
| USB TECHNOLOGY                  |  |
| USB Compatibility               | 1.1 and 2.0  |
| Speed                           | 1.5, 12 Mbps   |
| Connector                       | Type B High Retention (15 N / 3.4 lbs-force withdrawal)  |
| Windows O/S                     | 8.1 (32/64 bit), 10 (32/64 bit), 2008-r2 (32/64 bit), 2012 Server-r2 (32/64 bit)                       |
| POWER                           |  |
| USB                             | Low power device (draws <100 mA)   |
| INDICATORS                      |  |
| LEDs                            | Transmit Data, Receive Data  |
| MECHANICAL                      |  |
| Dimensions                      | 8.9 x 4.3 x 2.1 cm (3.5 x 1.7 x 0.8 in)  |
| Enclosure                       | IP30, Plastic  |
| MEANTIME BETWEEN FAILURES(MTBF) |  |
| MTBF BB-USOPTL4-xx              | 1,318,809 hours  |
| MTBF BB-USPTL4-xx               | 1,012,584 hours  |
| MTBF BB-USO9ML4                 | 380,087 hours  |
| MTBF Calculation                | MIL 217F Parts Count Reliability Method  |
| ENVIRONMENTAL                   |  |
| Operating Temperature           | 0 to +70 °C (32 to +158 °F)  |
| Operating Humidity              | 0 to 95%, non-condensing   |

## REGULATORY - USOPTL4 & USOPTL4-LS

|                 |   |
|-----------------|---|
| CE - Directives | 2014/30/EC - Electromagnetic Compatibility<br>2011/65/EU - Reduction of Hazardous Substances (RoHS2)<br>2012/19/EU - Waste Electrical and Electronic Equipment (WEEE)   |
|                 | EN 55032: Class B - Electromagnetic Compatibility of Multimedia Equipment - Emission Requirements<br>EN 55024 - Information Technology Equipment - Immunity Characteristics<br>EN 61000-6-1 - Generic Immunity for Residential, Commercial, Light-Industrial Environments<br>EN 61000-6-3 A1 - Generic Emissions for Residential, Commercial, Light-Industrial Environments (Class B) |

## REGULATORY - USO9ML4

|                 |   |
|-----------------|---|
| CE - Directives | 2004/108/EC - Electromagnetic Compatibility Directive<br>2011/65/EU - Reduction of Hazardous Substances Directive (RoHS2)<br>2012/19/EU - Waste Electrical and Electronic Equipment (WEEE)  |
|                 | EN 55032 Class B - Information technology equipment - RF Emissions<br>EN 55024 - Information technology equipment - immunity characteristics<br>EN 61000-6-1 - Generic Standards - Residential, Commercial, Light-Industrial Environments |



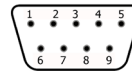
Models UxPTL4x



DIP Switch  
-see Quick Start Guides for configuration details.

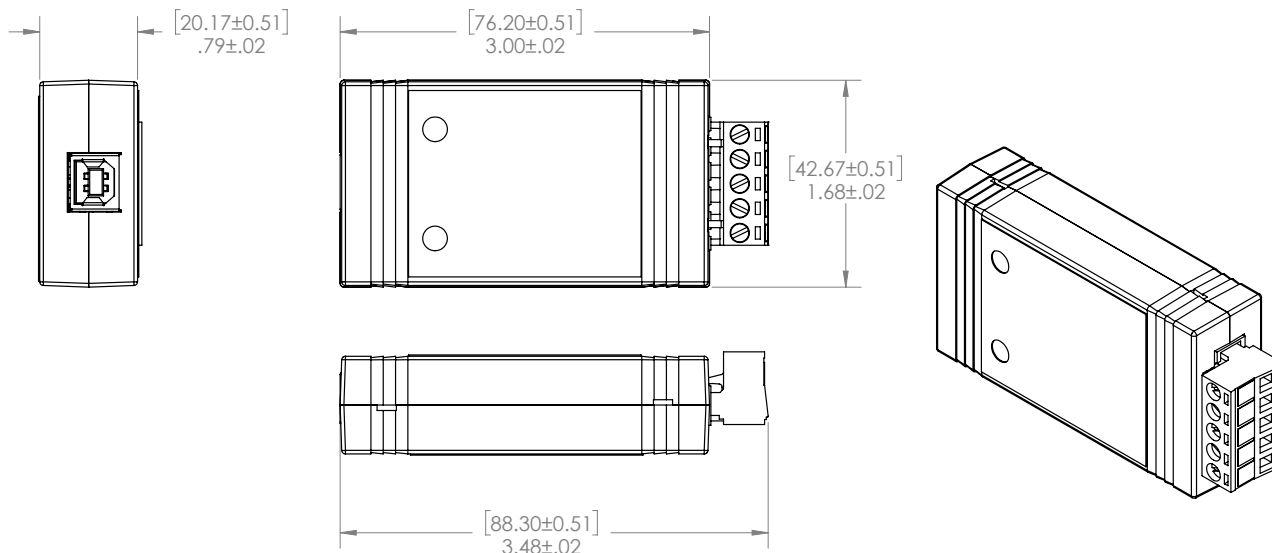
## BB-USO9ML2 - DB9 Pinout

| Pin | Description |
|-----|-------------|
| 1   | *****       |
| 2   | RDA (-)     |
| 3   | TDB (+)     |
| 4   | GND         |
| 5   | *****       |
| 6   | GND         |
| 7   | RDB (+)     |
| 8   | TDA (-)     |



Model BB-USO9ML4

## MECHANICAL DIAGRAM - BB-USOPTL4 & BB-USOPTL4-LS



orders@advantech-bb.com  
eSales@advantech-bb.com

Headquarters: 707 Dayton Rd, PO Box 1040 Ottawa, IL 61350 USA (815)433-5100 or (800)346-3119/Toll Free Fax (815)433-5104  
European Office: Westlink Commercial Pk, Oranmore Co. Galway Ireland +353 91 792444 Fax +353 91 792445

## X-ON Electronics

Largest Supplier of Electrical and Electronic Components

*Click to view similar products for [Interface Modules](#) category:*

*Click to view products by [Advantech](#) manufacturer:*

Other Similar products are found below :

[CYG2218](#) [FAB118](#) [8500-003](#) [IFD8520](#) [FAB100-RC](#) [20-101-1338](#) [cPCI-3544](#) [CYG2217](#) [CYG2320](#) [422CON](#) [ATX6022/14GP7](#)  
[ATX6022/8](#) [AX93221-24/48](#) [cPCI-3538](#) [USB30-MIPI-TESTER-OV10640](#) [MTAC-LORA-H-915](#) [OPT8AP-AE](#) [60006-016](#) [96RMKVM-](#)  
[19V1C-A](#) [60016-011](#) [60016-014](#) [60006-008](#) [60016-015](#) [60011-075](#) [LPC1e-3488A](#) [HPCI-14S12U](#) [cBP-3208](#) [cBP-3062A](#) [FAB205-6P5](#)  
[FAB114](#) [ATX6022/6](#) [60016-012](#) [96RMKVM-17V1C-A](#) [BB-QCLDVDSV2-KIT](#) [MOS-1120Y-0201E](#) [96RMLCD-17V1-A](#) [96RMKVM-](#)  
[17V8C-A](#) [60004-005](#) [60016-017](#) [60006-019](#) [60006-009](#) [60004-002C](#) [60016-035](#) [60016-034](#) [60016-031](#) [60016-030](#) [60016-026](#) [60016-025](#)  
[60016-024](#) [60016-022](#)