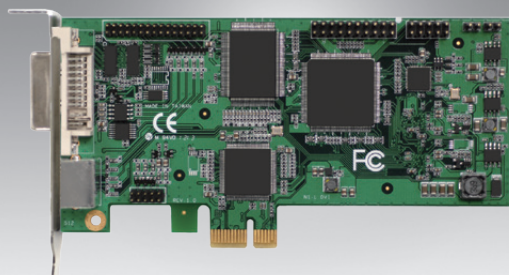


# DVP-7012HE

## 1-ch H.264/MPEG4 Low-Power PCIe Video Capture Card with SDK

NEW



### Features

- 1-channel DVI-I/YPbPr/S-Video/Composite video input with H.264 software compression
- 60/50 fps (NTSC/PAL) at up to full HD resolution for recording and display
- PCIe x1 (Gen2) host interface
- Low power consumption
- Supports Watchdog function
- Windows/Linux OS supported



### Introduction

DVP-7012HE is a PCIe-bus, low-power software compression video capture card with 1 channel of either DVI-I/YPbPr/S-Video/Composite video and 2 audio inputs. DVP-7012HE supports H.264 baseline compression format at up to full HD resolution at real-time frame rate (60/50fps). With an easy-to-use software development kit (SDK) and flexibility to stack multiple cards, DVP-7012HE is an ideal solution for various video capture applications.

### Specifications

Video	Video Standard	Composite for NTSC/PAL
	Video Input	1 x DVI-I/YPbPr/S-Video/Composite
	Video Output	1 x DVI-I/YPbPr/S-Video/Composite Loop Through (Optional)
	Compression	S/W H.264/MPEG4
	Max. Display Rate	60/50 fps (NTSC/PAL) @ 1920 x 1080p
	Max. Recording Rate	60/50 fps (NTSC/PAL) @ 1920 x 1080p
Audio	Audio Input	2 x RCA (Audio L/R through component cable)
	Format	Stereo/16 bits/32000-48000Hz
System Requirements	CPU (Display)	Intel Core 2 Duo E2200 2.2 GHz
	CPU (Recording)*	Intel Core 2 Quad Q9400 2.6 GHz
	Memory	2 GB
	VGA	1024 x 768, DirectX 9.0c
	Operating System	Windows XP/XPe/Vista/7; Linux 2.6.14 or higher; 32/64 bits
Physical Characteristics	Host Interface	PCIe x1 (Gen 2)
	Operating Temperature	-20 ~ 70° C (-4 ~ 158° F)
	Storing Temperature	-40 ~ 85° C (-40 ~ 185° F)
	Dimensions	135 x 69 mm
Safety	CE/FCC	

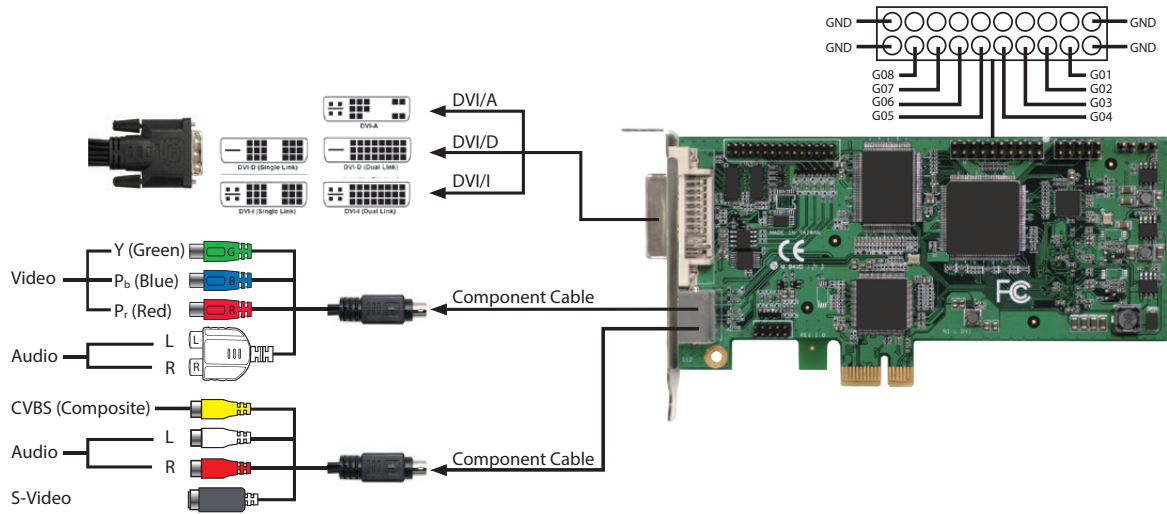
\*For high quality full HD video recording at max. recording rate, Intel Sandy Bridge processor or above and Win7 OS are recommended

### Versatile SDK Support

Advantech provides software development kit (SDK), a set of development tools that allows a software engineer to integrate video capture modules into different types of system. Functions include video recording, playback and instant preview.

- Software Library
- SDK Manual
- Sample Program

## Connection Diagram



## Ordering Information

Part Number	Description
DVP-7012HE	1-ch H.264/MPEG4 Low-Power PCIe Video Capture Card with SDK

## Packing List

Item	Amount
DVP-7012HE Capture Card	1 (piece)
Watchdog Cable	1 (piece)
YPbPr Cable	2 (piece)
S/AV Cable	2 (piece)
Short Iron (One to One)	2 (piece)

## X-ON Electronics

Largest Supplier of Electrical and Electronic Components

*Click to view similar products for [Video Modules](#) category:*

*Click to view products by [Advantech](#) manufacturer:*

Other Similar products are found below :

[conga-HDMI ADD2 Card](#) [96VG-2G-PE-MA2](#) [PCIe-CPL64](#) [PCIe-GIE74](#) [PCIe-GIE74 PRO](#) [PCIe-GIEIMX](#) [PCIe-GIENVQ](#) [DVP-7011HE](#)  
[DVP-7031HE](#) [DVP-7633HE](#) [DVP-7634HE](#) [HDC-701EL-R10](#) [IGCME-1300-R11](#) [NS-CA001](#) [NS-CA002](#) [DVP-7630HE](#) [DVP-7637E](#) [DVP-](#)  
[7635E](#) [DVP-7633E](#) [DVP-7030HE](#) [DVP-7014HE](#) [DVP-7012HE](#) [DVP-7610HE](#) [DVP-7641E](#) [SEN-16299](#)