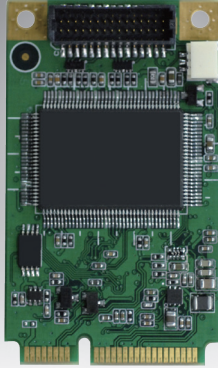


DVP-7014HE

1-ch Full HD H.264 MiniPCle Video Capture Card with SDK

NEW



Features

- 1 channel HDMI/DVI-D/DVI-A/YPbPr channel video inputs with H.264 software compression
- 30/25 fps (NTSC/PAL) at up to full HD resolution for recording and display
- Mini PCIe x1 (Gen2) host interface
- Windows/Linux OS supported



Introduction

DVP-7014HE is a Mini PCIe-bus, software compression video capture card with 1 video and 1 audio inputs. DVP-7014HE supports H.264 compression format at up to full HD resolution at real-time frame rate (30/25fps). With an easy-to-use software development kit (SDK), DVP-7014HE is an ideal solution for various video capture applications.

Specifications

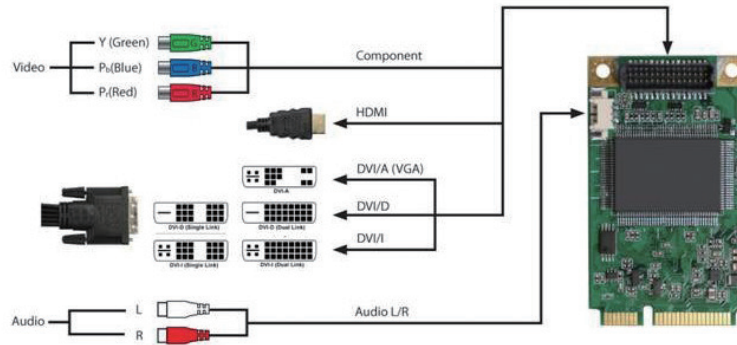
Video	Video Standard	NTSC/PAL
	Video Input	1 x HDMI/DVI-D/DVI-A/YPbPr
	Compression	S/W H.264
	Max. Display Rate	30/25 fps (NTSC/PAL) @ 1920 x 1080p
	Max. Recording Rate	30/25 fps (NTSC/PAL) @ 1920 x 1080p
Audio	Audio Input	HDMI Embedded Audio/ Audio L/R
	Format	Stereo / 16-bit / 32000 ~ 48000Hz
System Requirements	CPU (Display)	Intel Core 2 Duo E2200 2.2 GHz
	CPU (Recording)	Intel Core 2 Quad Q9400 2.6 GHz
	Memory	2 GB
	VGA	1024 x 768, DirectX 9.0c
	Operating System	Windows XP/XPe/Vista/7; Linux 2.6.14 or higher; 32/64 bits
Physical Characteristics	Host Interface	Mini PCIe x1 (Gen 2)
	Operating Temperature	-20 ~ 70° C (-4 ~ 158° F)
	Storing Temperature	-40 ~ 85° C (-40 ~ 185° F)
	Dimensions	30 x 51 mm
	Certification	CE/FCC

Versatile SDK Support (For Windows Only)

Advantech provides software development kit (SDK), a set of development tools that allows a software engineer to integrate video capture modules into different types of system. Functions include video recording, playback and instant preview.

- Software Library
- SDK Manual
- Sample Program

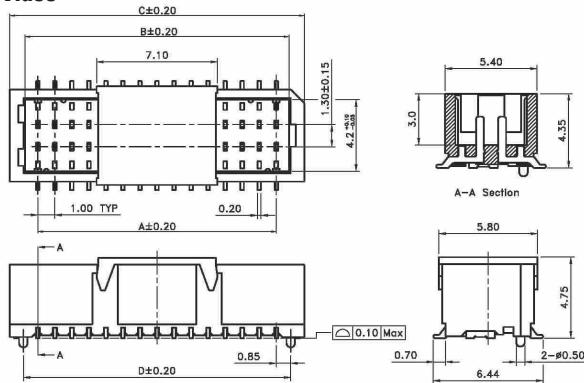
Connection Diagram



Connector Dimensions

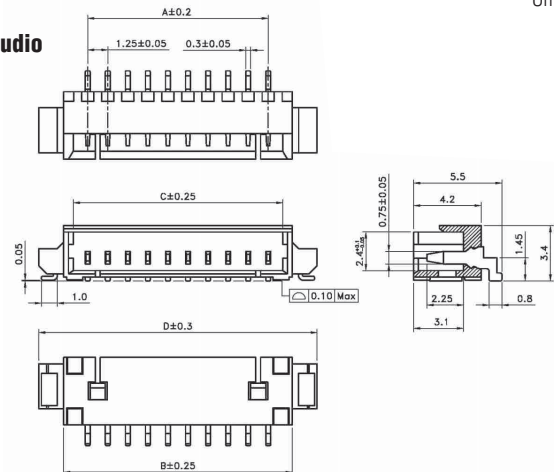
Unit: mm

Video



Poles	Part No.	Dimensions (mm)			
		A	B	C	D
20	WR-M20S10	9.00	10.50	12.30	10.70
30	WR-M30S10	14.00	15.50	17.30	15.70
40	WR-M40S10	19.00	20.50	22.30	20.70
50	WR-M50S10	24.00	25.50	27.30	25.70

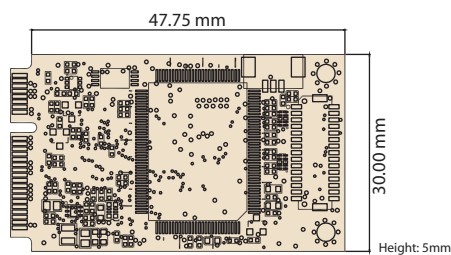
Audio



Poles	Dimensions (mm)				Poles	Dimensions (mm)			
	A	B	C	D		A	B	C	D
2	1.25	4.25	3.05	7.10	9	10.00	13.00	11.80	15.85
3	2.50	5.50	4.30	8.35	10	11.25	14.25	13.05	17.10
4	3.75	6.75	5.55	9.60	11	12.50	15.50	14.30	18.35
5	5.00	8.00	6.80	10.85	12	13.75	16.75	15.55	19.60
6	6.25	9.25	8.05	12.10	13	15.00	18.00	16.80	20.85
7	7.50	10.50	9.30	13.35	14	16.25	19.25	18.05	22.10
8	8.75	11.75	10.55	14.60	15	17.50	20.50	19.30	23.35

Card Dimension

Unit: mm



Ordering Information

Part Number	Description
DVP-7014HE	1-ch Full HD H.264 MiniPCIe Video Capture Card with SDK
XMSE1-MC-HDV-CB	HDMI/VGA Cable (optional)

Packing List

Item	Amount
DVP-7014HE Capture Card	1 (piece)

X-ON Electronics

Largest Supplier of Electrical and Electronic Components

Click to view similar products for [Video Modules](#) category:

Click to view products by [Advantech](#) manufacturer:

Other Similar products are found below :

[conga-HDMI ADD2 Card](#) [96VG-2G-PE-MA2](#) [PCIe-CPL64](#) [PCIe-GIE74](#) [PCIe-GIE74 PRO](#) [PCIe-GIEIMX](#) [PCIe-GIENVQ](#) [DVP-7011HE](#)
[DVP-7031HE](#) [DVP-7633HE](#) [DVP-7634HE](#) [HDC-502E-R10](#) [HDC-701EL-R10](#) [IGCME-1300-R11](#) [NS-CA001](#) [NS-CA002](#) [DVP-7630HE](#)
[DVP-7637E](#) [DVP-7635E](#) [DVP-7633E](#) [DVP-7030HE](#) [DVP-7014HE](#) [DVP-7012HE](#) [DVP-7610HE](#) [DVP-7641E](#) [SEN-16299](#)