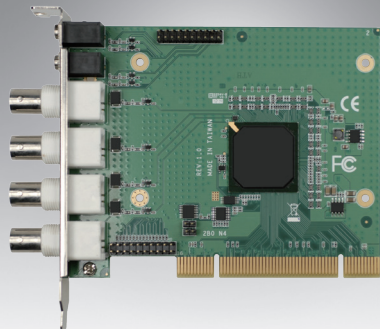


# DVP-7635E

## 4-ch H.264 PCI Video Capture Card with SDK

NEW



### Features

- 4-channel composite video inputs with H.264 hardware compression
- 120/100 fps (NTSC/PAL) at 4CIF resolution for display
- 120/100 fps (NTSC/PAL) at up to 4CIF + CIF dual stream resolution for recording
- PCI host interface
- Supports Watchdog function
- Windows/Linux OS supported



### Introduction

DVP-7635E is a PCI-bus, hardware compression video capture card with 4 analog video and 4 audio inputs. DVP-7635E supports H.264 base line compression format at up to 4CIF resolution at real-time frame rate (30/25fps) for each channel. With an easy-to-use software development kit (SDK) and flexibility to stack multiple cards, DVP-7635E is an ideal solution for various video capture applications or video surveillance.

### Specifications

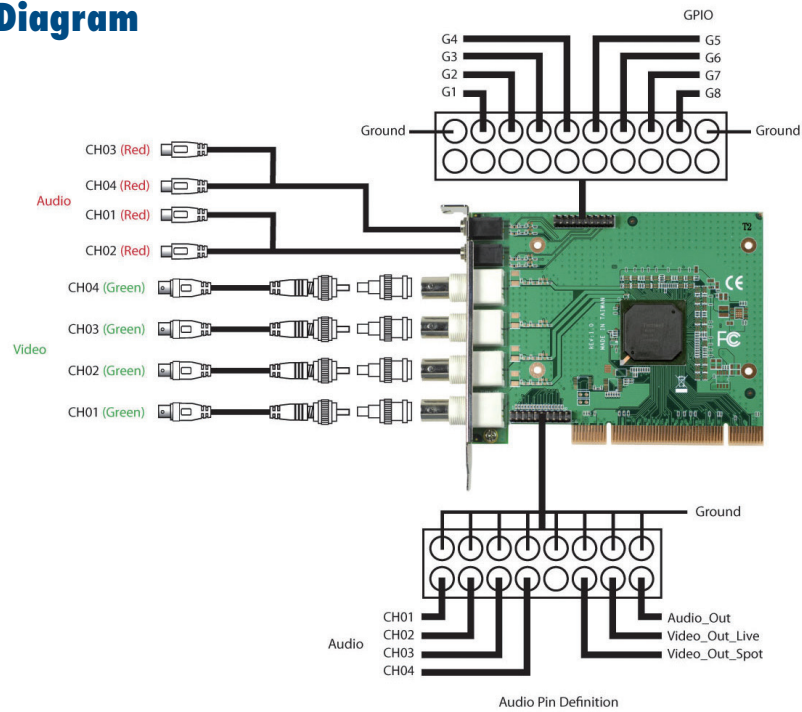
Video	Video Standard	Composite for NTSC/PAL
	Video Input	4 x BNC connectors
	Compression	H/W H.264
	Max. Display Rate	30/25 fps (NTSC/PAL) @ 4CIF/ch
	Max. Recording Rate	30/25 fps (NTSC/PAL) @ 4CIF + CIF dual stream/ch
	Connector	BNC / Male / 1.0Vp-p / 75Ω
Audio	Audio Input	4 x RCA
	Format	MONO/16 bits/8000 Hz
System Requirements	CPU (Display)	Intel Pentium 4 2.0 GHz
	CPU (Recording)	Intel Pentium 4 2.0 GHz
	Memory	512 MB
	VGA	1024 x 768, DirectX 9.0c
	Operating System	Windows XP/XPe/Vista/7; Linux 2.6.14 or higher; 32/64 bits
Physical Characteristics	Host Interface	PCI
	Operating Temperature	-20 ~ 70° C (-4 ~ 158° F)
	Storing Temperature	-40 ~ 85° C (-40 ~ 185° F)
	Dimensions	121 x 97 mm
Safety	CE/FCC	

### Versatile SDK Support (For Windows Only)

Advantech provides software development kit (SDK), a set of development tools that allows a software engineer to integrate video capture modules into different types of system. Functions include video recording, playback and instant preview.

- Software Library
- SDK Manual
- Sample Program

## Connection Diagram



## Ordering Information

Part Number	Description
DVP-7635E	4-ch H.264 PCI Video Capture Card with SDK

## Packing List

Item	Amount
DVP-7635E Capture Card	1 (piece)
Audio Cable	2 (piece)
Watchdog Cable (Option)	1 (piece)

## X-ON Electronics

Largest Supplier of Electrical and Electronic Components

*Click to view similar products for [Video Modules](#) category:*

*Click to view products by [Advantech](#) manufacturer:*

Other Similar products are found below :

[conga-HDMI ADD2 Card](#) [96VG-2G-PE-MA2](#) [PCIe-CPL64](#) [PCIe-GIE74](#) [PCIe-GIE74 PRO](#) [PCIe-GIEIMX](#) [PCIe-GIENVQ](#) [DVP-7011HE](#)  
[DVP-7031HE](#) [DVP-7633HE](#) [DVP-7634HE](#) [HDC-502E-R10](#) [HDC-701EL-R10](#) [IGCME-1300-R11](#) [NS-CA001](#) [NS-CA002](#) [DVP-7630HE](#)  
[DVP-7637E](#) [DVP-7635E](#) [DVP-7633E](#) [DVP-7030HE](#) [DVP-7014HE](#) [DVP-7012HE](#) [DVP-7610HE](#) [DVP-7641E](#) [SEN-16299](#)