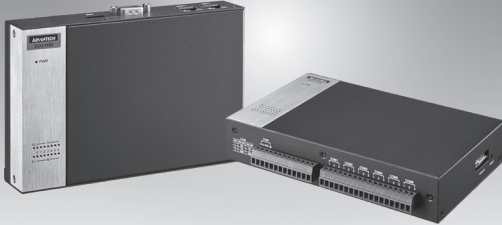


ECU-1152

TI Cortex A8 Industrial Communication Gateway with 2 x LAN and 6 x COM Ports

NEW



Features

- TI Cortex A8 800 MHz CPU
- DDR3L512 MB RAM
- 1 GB Micro SD card for system storage
- 1 x Micro SD slot
- 6 x RS-232/485 isolated serial ports
- 2 x 10/100 Base-T Ethernet ports
- 1 x Mini-PCIe for Wi-Fi/3G/GPRS/4G
- Supports web access for remote online monitoring
- Supports Micro-SD cards and online firmware updates
- Supports Modbus and IEC-60870 protocol
- Supports data logging to Micro-SD card
- RTLinux operating system
- -40 ~ 70°C operating temperature range

Introduction

For solar power, electricity, and factory-related applications that require comprehensive wireless and Ethernet communication solutions, Advantech developed its ECU-1152 RISC-based industrial communication gateway. ECU-1152 features an open platform design with a Cortex A8 processor, six RS-232/485 isolated serial ports, two 10/100 Ethernet ports, and an operating temperature of -40 ~ 70°C. ECU-1152 is equipped with a Linux operating system and open TagLink SDK to enable system integrators to develop applications specific for their application requirements.

Specifications

General

- **Certification** CE, FCC
- **Mounting** Wall/ DIN rail
- **Power Consumption** 2.4W @ 24V_{DC} (typical)
- **Power Requirements** 10 ~ 30 V_{DC}

System

- **CPU** TI Cortex A8, 800MHz
- **Memory** DDR3L 512MB
- **Indicators** Programmable LEDs for Power, LAN (LINK, ACT), Serial (Tx, Rx)
- **Storage** 1 GB Micro SD card for system storage
- **SD Slot** 1 x Micro SD
- **Watchdog** Yes
- **Real-Time Clock** Yes
- **Node ID** 8-bit

Communication

- **Serial Port** 6 x RS-232/485
Isolation 3000 V_{DC}
- **Serial Port Speed** RS-232/RS-485: 50 ~ 115.2 kbps
- **Ethernet Port** 2 x 10/100 Base-T RJ-45 ports
- **USB Port** 1 x USB
- **Wireless (Optional)** Interface: 1x Mini PCIe (full size)
Type: Wi-Fi/3G/GPRS/4G
Signal: USB

Software

- **OS Support** RTLinux 3.12
- **Configuration Tool** Advantech TagLink Studio
- **Protocol Support** Modbus, IEC-60870
- **Programming** Linux C
- **PLC driver Support** Mitsubishi, Siemens, Omron, Delta

Environment

- **Operating Temperature** -40 ~ 70°C
- **Storage Temperature** -40 ~ 85°C
- **Humidity** 5 ~ 95% (non-condensing)

Ordering Information

- **ECU-1152-R11ABE** TI Cortex A8 industrial communication gateway with 2 x LAN, 6 x COM, 1 x Mini PCIe
- **EIS-FMC251-T1152A** ECU-1152 w/ TagLink SW
- **1950020136T001** DIN-Rail buckle

Wi-Fi Solution

- **9656EWMG00E** Half to full-size Mini PCIe bracket pack
- **EWM-W150H02E** Half-size mini card, supports 802.11bgn
- **1750006043** SMA(M) cable, 15 cm
- **1750000318** 2dBi antenna for testing, 11 cm

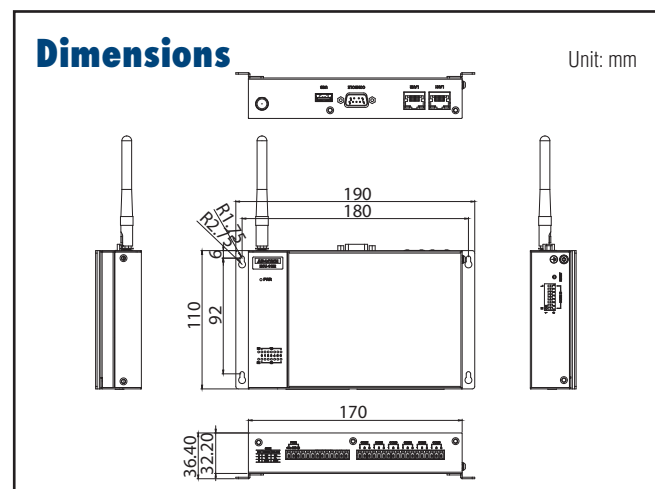
3G/GPRS Solution (SIM card not included)

- **EWM-C109F601E** 6-band HSPA cellular module with SIM holder
- **1750006264** SMA(F) cable, 15 cm
- **1750005865** Dipole antenna, 11 cm

Storage Solution

- **96FMMSDI-4G-ET-AT1** ATP 4G MICRO SD CARD I-GRD SLC(G)
- **96FMMSDI-8G-ET-AT1** ATP 8G MICRO SD CARD I-GRD SLC(G)

Dimensions



X-ON Electronics

Largest Supplier of Electrical and Electronic Components

Click to view similar products for [Gateways](#) category:

Click to view products by [Advantech](#) manufacturer:

Other Similar products are found below :

[BB-SG30000324-51](#) [MTCDTIP-LEU1-275L-868](#) [MTCDT-LEU1-246A-868-EU-GB](#) [WOP-2000G-N2AE](#) [ESRP-PCS-ECU1251](#) [BB-SG30300525-42](#) [BB-SG30500520-42](#) [TRB140003000](#) [ECU-1251TL-R10AAE](#) [SGX5150202US](#) [SGX5150102US](#) [RG191](#) [UPS-EDGE-X70864-U01](#) [UPS-EDIOT-X70864-UW01](#) [ADAM-4572-CE](#) [ADAM-6717-A](#) [ECU-1152-R11ABE](#) [EKI-1222-CE](#) [EKI-1224-CE](#) [EKI-1224CI-CE](#) [ICR-3201](#) [ICR-3201-W](#) [ICR-3211B](#) [UNO-220-P4N1AE](#) [UNO-2271G-W1032GE](#) [WISE-3310-D100L1E](#) [WISE-3610ILS-51A1N](#) [WISE-6610-E100-A](#) [WISE-6610-N100-A](#) [AKX00016](#) [MESR901](#) [MESR902T](#) [X2-HMU-EM-B](#) [X4-Z1U-B101-A](#) [SGX5150020US](#) [SGX51501M2ES](#) [SGX51502N5ES](#) [XPC240200B-02](#) [XPC240400B-02](#) [XPC240100S-02](#) [XPC240200S-02](#) [XPC240300S-02](#) [XPC240400S-02](#) [XPC250100S-02](#) [XPE200100S](#) [WSDA-2000](#) [WSDA-200-USB](#) [1120780001](#) [1120780002](#) [MTCDT-246A-868-EU-GB](#)