

# ECU-1251

## TI Cortex A8 Industrial Communication Gateway with 2 x LAN, 4 x COM Ports

NEW



CE FCC RoHS COMPLIANT PRODUCT

### Features

- TI Cortex A8 800MHz CPU
- DDR3L256MB RAM
- 1GB Micro-SD card for system storage
- 1 x Micro-SD Slot
- 4 x RS-232/485 isolated serial ports
- 2 x 10/100 Base-T Ethernet ports
- 1 x Mini-PCle for WIFI/Cellular/4G
- Support web service for remotely on-line monitoring
- Support SD card & on-line firmware update
- Support Modbus, IEC-60870-101/104 protocol
- Support Data logger on SD card
- Operation System: RT-Linux
- Operation Temperature -40~70°C

### Introduction

For solar power, electricity and factory related applications which require a total wireless and Ethernet communication solutions, Advantech has released the ECU-1251 RISC-based industrial communication gateway. ECU-1251 has an open platform design with Cortex A8 processor, up to four RS-232/485 isolated serial ports, two 10/100 Ethernet ports and operating temperature range of -40~70°C. With Linux operating system and open Edgelink SDK, which enable to system integrators to develop applications which precisely fit their need.

### Specifications

#### General

- **Certification** CE, FCC (RED Compliance)
- **Mounting** Wall-Mount/ DIN-Rail
- **Power consumption (typical)** 2.4W @ 24V<sub>DC</sub>
- **Power Requirements** 10 ~ 30 V<sub>DC</sub>

#### System

- **CPU** TI Cortex A8, 800MHz
- **Memory** DDR3L 256MB
- **Indicators** LEDs for Power, LAN (LINK, ACT), Serial (Tx, Rx), Programmable
- **Storage** 1GB Micro-SD card for system storage
- **SD Slot** 1 x Micro-SD slot
- **Watchdog** Yes
- **Real-time clock** Yes
- **Node ID** 8-bit

#### Communication

- **Serial Port** 4 x RS-232/485
- **Isolation** 3000 V<sub>DC</sub>
- **Serial Port Speed** RS-232/RS-485: 50 ~ 115200 bps
- **Ethernet Port** 2 x 10/100 Base-T RJ-45 ports
- **USB Port** 1 x USB2.0
- **Wireless (Optional)** Interface: 1x Mini-PCle (Full-size)  
Type: WIFI/Cellular/4G  
Signal: USB

#### Software

- **OS Support** RT-Linux 3.12
- **Configuration Tool** Advantech Edgelink Studio
- **Protocol Support** Modbus, IEC-60870-101(master)/ 104(slave)
- **Programming** Linux C

#### Environment

- **Operating Temperature** -40~70°C
- **Storage Temperature** -40~85°C
- **Humidity** 5 ~ 95% (non-condensing)

### Ordering Information

- **ECU-1251TL-R10AAE** TI Cortex A8 Industrial Communication Gateway with 2 x LAN, 4 x COM, 1 x Mini-PCle

#### Wi-Fi Solution

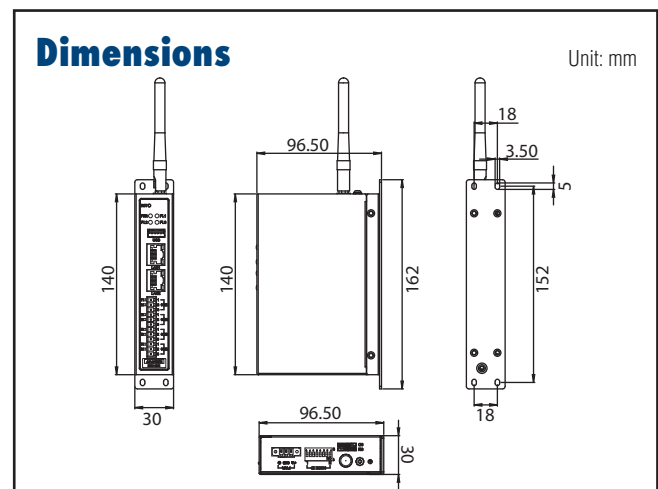
- **96PD-RYW131** 2.4GHz Wi-Fi Full/Half Size Mini PCle Card
- **1750006043** SMA(M) cable, 15 cm
- **1750000318** 2dBi antenna for testing, 11 cm

#### Cellular Solution (SIM card is not included)

- **96PD-EC25EFA** LTE Cat 4 Module with GNSS
- **1750006264** SMA(F) Cable, 15 cm
- **1750005865** Dipole Antenna, 11 cm

#### Storage Solution

- **96FMMSDI-4G-ET-AT1** ATP 4G MICRO SD CARD I-GRD SLC(G)
- **96FMMSDI-8G-ET-AT1** ATP 8G MICRO SD CARD I-GRD SLC(G)



## X-ON Electronics

Largest Supplier of Electrical and Electronic Components

*Click to view similar products for [Gateways](#) category:*

*Click to view products by [Advantech](#) manufacturer:*

Other Similar products are found below :

[BB-SG30000324-51](#) [MTCDDT-LEU1-247A-915-EU-GB-AU](#) [MTCDDTIP-LEU1-275L-868](#) [MTCDDT-LEU1-246A-868-EU-GB](#) [WOP-2000G-N2AE](#) [ESRP-PCS-ECU1251](#) [BB-SG30300525-42](#) [BB-SG30500520-42](#) [TRB140003000](#) [ECU-1051TL-R10AAE](#) [ECU-1251TL-R10AAE](#) [SGX5150202US](#) [SGX5150102US](#) [RG191](#) [UPS-EDGE-X70864-U01](#) [UPS-EDIOT-X70864-UW01](#) [ADAM-4572-CE](#) [ADAM-6717-A](#) [ECU-1152-R11ABE](#) [EKI-1222-CE](#) [EKI-1224-CE](#) [EKI-1224CI-CE](#) [ICR-3211B](#) [ICR-3241W](#) [UNO-220-P4N1AE](#) [UNO-2271G-W1032GE](#) [WISE-3310-D100L1E](#) [WISE-3610ILS-51A1N](#) [WISE-6610-N100-A](#) [AKX00016](#) [MESR901](#) [MESR902T](#) [X2-HMU-EM-B](#) [X4-Z1U-B101-A](#) [SGX5150020US](#) [SGX51501M2ES](#) [SGX51502N5ES](#) [XPC240200B-02](#) [XPC240100S-02](#) [XPC240200S-02](#) [XPC240400S-02](#) [XPC250100S-02](#) [WSDA-2000](#) [WSDA-200-USB](#) [1120780001](#) [1120780002](#) [MTCDDT-246A-868-EU-GB](#) [MTCDDT-247A-868-EU-GB](#) [MTCDDT-L4N1-247A-915-US](#) [ARGN-H](#)