

EPC-R4710

Rockchip RK3399 Cortex-A72 ARM Based Box Computer

Preliminary



Features

- Rockchip RK3399 ARM Dual Cortex-A72 and Quad Cortex-A53 1.8 GHz
- Onboard 2GB LPDDR4 memory and 16GB eMMC
- Dual HDMI(4K 60fps + 1080P)
- Support 4K H.264/H.265 Video decoder
- 6 serial, 1 USB3.0, 4 USB2.0 , 1 USB OTG, 2 GbE, 1 SPI, 1 I2C, 5 GPIO
- M.2 for WIFI/BT support, mini-PCIe for 3G/4G support
- Support Linux and Android



Introduction

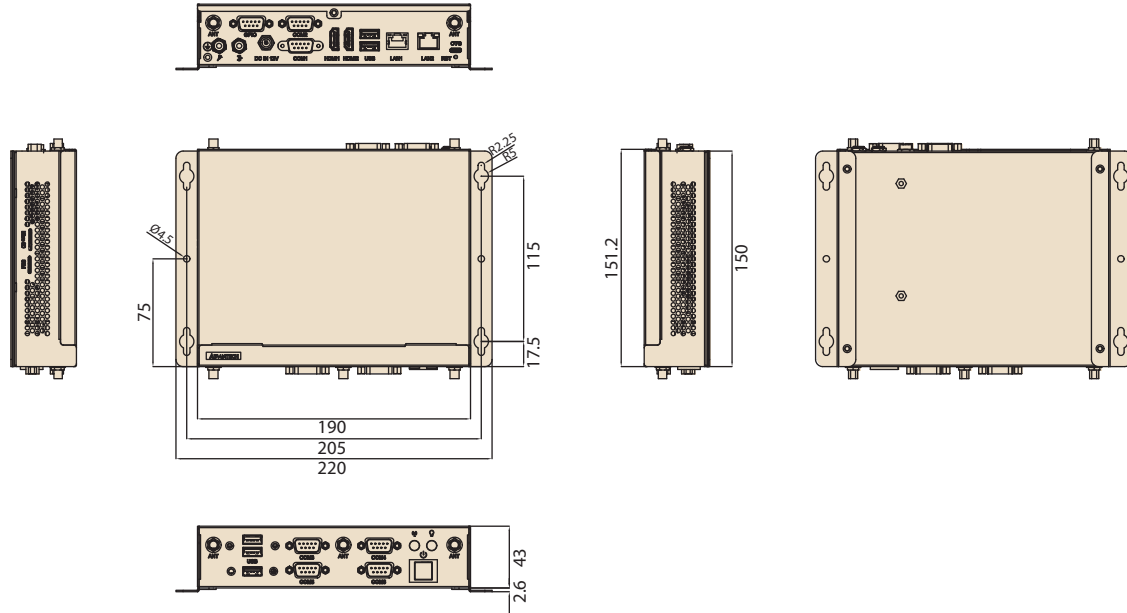
EPC-R4710 is an Arm based Box Computer powered by a high-performance Rockchip RK3399 ARM dual Cortex-A72 and quad Cortex-A53 high performance processor which supports 4K display from HDMI. It offers both rich display as dual HDMI and rich IO as dual GbE/6serials/6USB/5GPIO. EPC-R4710 also features Mini-PCIe, M.2, and SIM card slots for integrating Wi-Fi, Bluetooth, and 3G/4G modules. It is an ideal solution for Kiosk, POS, and Vending machine application.

Specifications

Form Factor	ARM-based Box Computer	
Processor	CPU	Rockchip RK3399 ARM dual Cortex-A72 and quad Cortex-A53 1.8 GHz
Memory	Technology	LPDDR4 1333MHz
	Capacity	On-board LPDDR4 2GB
	Flash	16GB of eMMC NAND Flash for OS and Advantech's boot loader
Graphics	HDMI	2
	eDP	1, max 2.7Gbps
	H/W Video Codec	Decoder: MPEG-1, MPEG-2, MPEG-4, H.263, H.264, AVS, VC-1, VP8, MVC, HEVC/H.265 decoder, 4k@60FPS Encoder: H.264 (BP@level4.0, MP, HP@level4.0), MVC and VP8
Ethernet	Chipset	RTL8211FSI
	Speed	2 x 10/100/1000 Mbps
RTC	Yes (Max timeout: 21s, Default timeout: 10s)	
WatchDog Timer	Yes	
Expansion	SD socket	1 x Micro SD slot
	M.2	1 x M.2 2230 Key E slot, w/SIO*UART*PCIe*USB
	mini PCIe	1 x Full size mini PCIe slot (USB signal only)
	SIM	1 x SIM slot
	SATA	-
I/O	SATA Power	-
	USB	5 x USB Type A, 1 x USB OTG
	Audio	1 x line-out, 1 x mic-in
	SPDIF	-
	Serial Port	1 RS232/debug 3 RS232 w/2wire 2 RS232/485 w/4wier
	SPI	1 x SPI by pin header
	CAN	-
	GPIO	5 x GPIO via D-SUB 9 (3.3V TTL level)
	I ² C	1 x I ² C by pin header
	System Bus	-
	Touch	-
	I/R	-
	LED	1 Green LED for system power 1 Orange LED for WLAN
	Button	1 x Power button, 1 x Reset button
	Power	Power Supply Voltage
Power Type		DC-in
Power Consumption		Boost 15W@12V
Environment	Operational Temperature	0 ~ 50 °C/-20 ~ 70 °C
	Operating Humidity	5% ~ 95%
Mechanical	Dimensions (W x D)	190 x 150 x 43 mm
Operating System	Android/Linux	
Certifications	CCC/CE/FCC/BSMI Class B	

Dimensions

Unit: mm



Ordering Information

Part Number	CPU	Memory	Flash	HDMI	LAN	Serial Port	USB Host	SD	Operating Temperature
EPC-R4710NO-XAA1E	Rockchip RK3399	2GB	16GB	2	2	6	6	1	0 ~ 50 °C
EPC-R4710IO-XAA1E	Rockchip RK3399K	2GB	16GB	2	2	6	6	1	-20 ~ 70 °C
EPC-R4710NO-XAA1BE*	Rockchip RK3399	2GB	16GB	2	2	6	6	1	0 ~ 50 °C
EPC-R4710IO-XAA1BE*	Rockchip RK3399K	2GB	16GB	2	2	6	6	1	-20 ~ 70 °C

*this sku has BSMI certification

Packing List

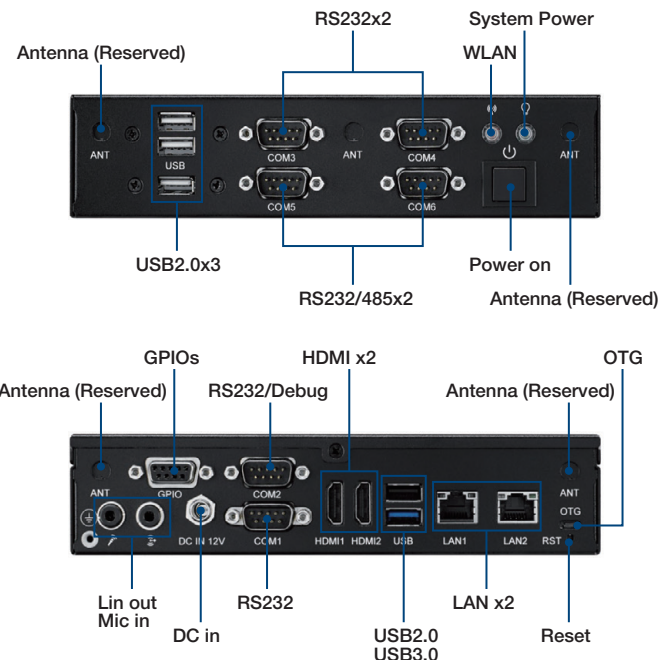
Part Number	Description
EPC-R4710	EPC-R4710 Box computer
1960083394N001	VESA MOUNT BKT 2U2X EPC-R4710

Optional Accessories

Port Number	Description
96PSA-A36W12W7-5	ADP A/D 100-240V 36W 12V C6 LOCK DC JACK 62368
96PSA-A60W12W7-4	ADP A/D 100-240V 60W 12V LOCK DC PLUG WIDE TEMP
170203183C	Power cord 3P Europe (WS-010+WS-083) 183 cm
170203180A	Power cord 3P UK 2.5A/3A 250 V 1.83 M
1700001524	Power cord 3P UL 180cm
1700008921	Power Cord 3P PSE 183cm
1700019146	Power Cord CCC 3P 10A 250V 183cm
EWM-W188M201E	WiFi 802.11ac/abgn 2T2R and BT4.2
1750008800-01	Antenna Cable R/P SMA (M) to MHF4, 100mm
1750008717-01	Dipole Ant. D.B 2.4/5G WIFI 3dBi SMA/M-R BLK
968AD00479*	4G module LTE Cat 4 for China
EWM-C117FL06E*	LTE 4G,3G WCDMA/DC-HSPA+, 2G module, MPC1-L280H
1750006264	Antenna cable SMA(F)/MHF 15cm
1750008303-01	Antenna AN0727-64SP6BSM
SQF-MSDM1-8G-21C	SQF MICRO SD C10 MLC 8G (-25 ~ 85 °C)

* Please contact us to get suitable cellular module for your region.

External I/O



X-ON Electronics

Largest Supplier of Electrical and Electronic Components

Click to view similar products for [Embedded Box Computers](#) category:

Click to view products by [Advantech](#) manufacturer:

Other Similar products are found below :

[BXNUC9i5QNX](#) [BXNUC9i5QNX1](#) [BXNUC10I3FNHN1](#) [BXNUC10I5FNKN1](#) [RNUC11BTMI90001](#) [BXNUC10I3FNHN](#) [EPC-R4710NO-XAA1E](#) [HMIG3U](#) [UBC-DS31CD-PAA1E](#) [UBC-200CQ-MEA1E](#) [UBC-200CD-MDA1E](#) [UTX-3115SA4P-S6A2E](#) [TREK-303R-HA0E](#) [ITA-1710-01A1E](#) [AVS-540-00A1E](#) [AIIS-1240-00A1E](#) [TANK-870AI-i5/8G/2A-R10](#) [PRFE21000038](#) [UPN-EDGE-EHLCN2-A10-0232](#) [UPS-EDAI-X70864-U01-DC01](#) [UPX-EDGEI7-A10-1664-F01](#) [UPX-EDGE-TGLI5-A10-0000-0001](#) [UPX-EDGE-TGLI3-A10-0000-0001](#) [EOS-JNX-G](#) [ROScube-I, IntelR Core? i7, RQI-57](#) [RQX-590](#) [AIR-030-S30A1](#) [DS-100GL-S8A1E](#) [EPC-R4680CQ-XAA1E](#) [ITA-1611-10A1E](#) [UNO-247-J1N1AE](#) [USM-110C-BD113](#) [AIE100-903-FL](#) [eBOX626-311-FL](#) [EBOX671-517-FL-DC](#) [ASM30002](#) [AMI230AFM](#) [DRPC-240-TGL-U-i5CS-R10](#) [PAC-1000GBPX-R30/300W](#) [BKCM8v5CB8N](#) [BKCM8v7CB8N](#) [BKCM8i3CB4N](#) [BKNUC9V7QNX](#) [BKNUC9VXQNB](#) [BKNUC9VXQNX](#) [BKNUC9VXQNX1](#) [BNUC11TNBV50000](#) [BNUC11TNBI70000](#) [BNUC11TNHV70001](#) [BNUC11TNKV50000](#)