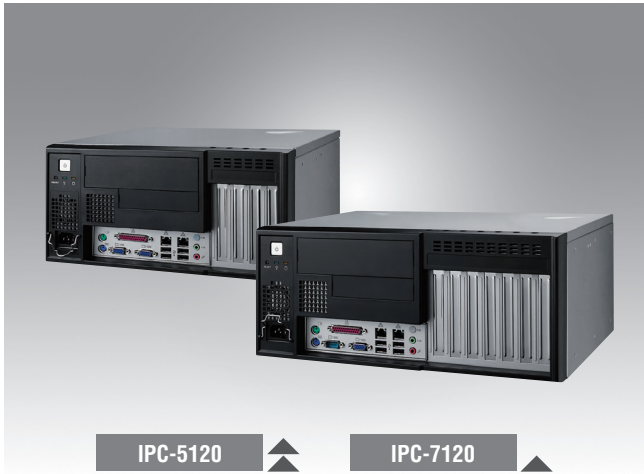


IPC-5120/7120

Desktop/Wallmount Chassis with front I/O Interfaces for ATX/mATX Motherboard



IPC-5120

IPC-7120

CE FCC

Features

- With front I/O interface and four to seven expansion slots
- Shockproof drive bay for one 5.25" ODD and two 3.5" HDDs
- LED indicators for power status and HDD activity
- Supports four to seven half-size add-on cards
- Suitable form factor : IPC-5120 for Micro-ATX MB , IPC-7120 for ATX MB

Specifications

		External	Internal
Drive Bay	5.25"	1	-
	3.5"	1	1
Cooling	Fans	1 (12 cm / 85 CFM) + 1 (4 cm / 10 CFM)	
	Air Filter	Yes	
Miscellaneous	LED Indicators	Power status and HDD activity	
	Control	Power switch and system reset button	
Environment	Temperature	Operating 0 ~ 40 °C (32 ~ 104 °F)	Non-Operating -20 ~ 60 °C (-4 ~ 140 °F)
	Humidity	10 ~ 85% @ 40 °C, non-condensing	
	Vibration (5 ~ 500 Hz)	1 Grms	2 G
	Shock	10 G (with 11 ms duration, half sine wave)	
Physical Characteristics	Dimensions (W x H x D)	IPC-5120: 320 x 164 x 316.5 mm (12.6" x 6.5" x 12.5") IPC-7120: 380 x 164 x 316.5 mm (15" x 6.5" x 12.5")	
	Weight	IPC-5120: 6.54 kg (14.42 lb) IPC-7120: 7.01 kg (15.45 lb)	

Front View

IPC-5120



Inside View



Easy-to-maintain fan filter



Shock-resistant drive bay for holding an internal 3.5" HDD

IPC-7120



Plug ring-lock securely fastens the power cord

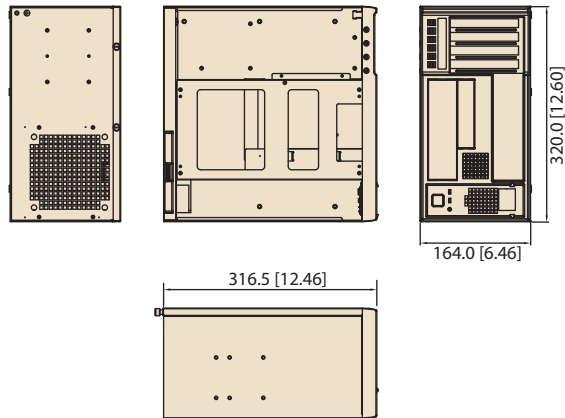


User-friendly mechanical design for installing an add-on card

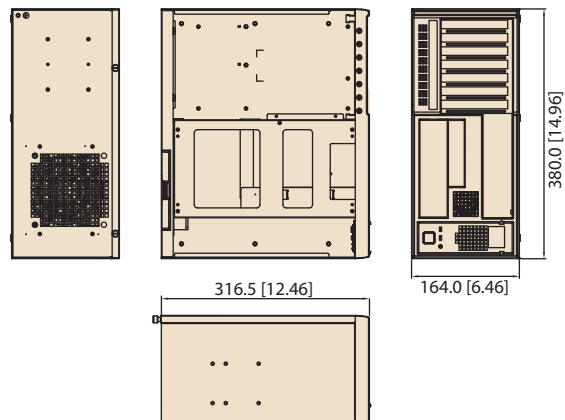
Dimensions

Unit: mm [inch]

IPC-5120



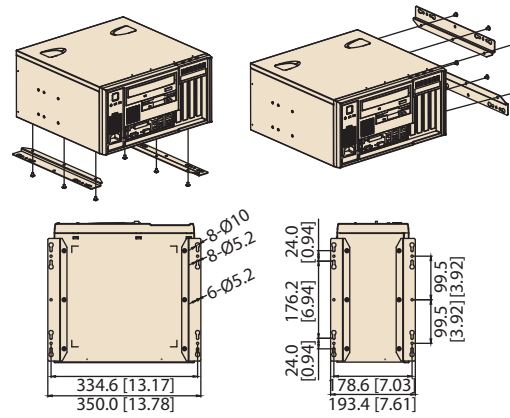
IPC-7120



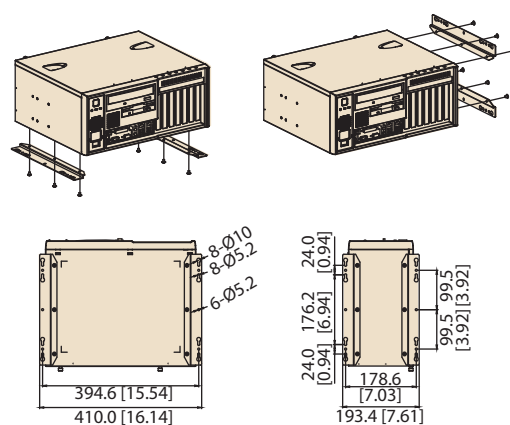
Installation

Unit: mm [inch]

IPC-5120



IPC-7120



Ordering Information

Part Number	Power Supply	Wattage	Switch
IPC-5120 Series			
IPC-5120-25CE	PS8-250FATX-XE	250W	ATX
IPC-5120-35CE	PS8-350FATX-XE	350W	ATX
IPC-7120 Series			
IPC-7120-25CE	PS8-250FATX-XE	250W	ATX
IPC-7120-35CE	PS8-350FATX-XE	350W	ATX

Power Supply Specification

Part Number	80 Plus Grade	Wattage	Type	Input
PS8-250FATX-XE	Bronze	250W	Single	AC 100-240V (full range)
PS8-350FATX-XE	Bronze	350W	Single	AC 100-240V (full range)

X-ON Electronics

Largest Supplier of Electrical and Electronic Components

Click to view similar products for [Modules Accessories](#) category:

Click to view products by [Advantech](#) manufacturer:

Other Similar products are found below :

[7010-0001](#) [AX98219](#) [A1UL8RISER](#) [F1UJPMICRISER](#) [FHW1U16RISER](#) [20-101-0440](#) [MBCDROM](#) [AX61221TM](#) [VM-105](#) [EA](#)
[CARREDIPTFT02](#) [RK-210E-B](#) [E226171106](#) [88606200030E](#) [SI-HDMI-EDID-EM](#) [MIC-75M13-00A1E](#) [FPM-1000T-SMKE](#) [AMK-R004E](#)
[96FMCF-ST2ADAPTER1](#) [AHWKPTP12GBGB](#) [AXXSTCPUCAR](#) [FPK-07-R10](#) [Mini Din 6P to 6P HARNESS](#) [FPF1320 POWER](#)
[MULTIPLEXER CARRIER](#) [881261510A0E](#) [AXXP3SWX08080](#) [conga-B7XD/CSP-Cu-B](#) [881281021A0E](#) [HFT for mounting KIT](#)
[FN928X_FN929X](#) [BB-MH112-1A](#) [15100600](#) [9-5000-1116](#) [BKCMCR1ABB](#) [70763](#) [98R3612003E](#) [881261910A0E](#) [106897](#) [48222R](#) [4D](#)
[ARDUINO ADAPTOR SHIELD II](#) [20926110901](#) [PYCASE GREEN](#) [PYCASE BLUE](#) [FP15072_ZORYA-SC-HEKLA](#) [20952000004](#)
[20953000007](#) [DP-DVI-R10](#) [575-BBIS](#) [RACK-220GW/A130B](#) [492-BBKM](#) [IP411](#) [70760](#)