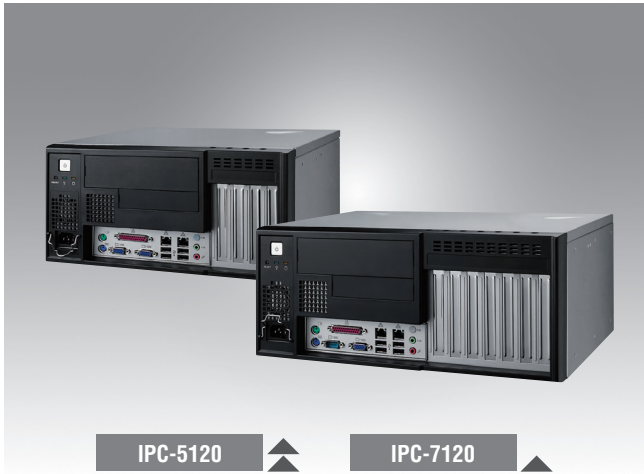


IPC-5120/7120

Desktop/Wallmount Chassis with front I/O Interfaces for ATX/mATX Motherboard



IPC-5120

IPC-7120

CE FCC

Features

- With front I/O interface and four to seven expansion slots
- Shockproof drive bay for one 5.25" ODD and two 3.5" HDDs
- LED indicators for power status and HDD activity
- Supports four to seven half-size add-on cards
- Suitable form factor : IPC-5120 for Micro-ATX MB , IPC-7120 for ATX MB

Specifications

| | | External | Internal |
|--------------------------|------------------------|--|--|
| Drive Bay | 5.25" | 1 | - |
| | 3.5" | 1 | 1 |
| Cooling | Fans | 1 (12 cm / 85 CFM) + 1 (4 cm / 10 CFM) | |
| | Air Filter | Yes | |
| Miscellaneous | LED Indicators | Power status and HDD activity | |
| | Control | Power switch and system reset button | |
| Environment | Temperature | Operating 0 ~ 40 °C (32 ~ 104 °F) | Non-Operating -20 ~ 60 °C (-4 ~ 140 °F) |
| | Humidity | 10 ~ 85% @ 40 °C, non-condensing | |
| | Vibration (5 ~ 500 Hz) | 1 Grms | 2 G |
| | Shock | 10 G (with 11 ms duration, half sine wave) | |
| Physical Characteristics | Dimensions (W x H x D) | IPC-5120: 320 x 164 x 316.5 mm (12.6" x 6.5" x 12.5") IPC-7120: 380 x 164 x 316.5 mm (15" x 6.5" x 12.5") | |
| | Weight | IPC-5120: 6.54 kg (14.42 lb) IPC-7120: 7.01 kg (15.45 lb) | |

Front View

IPC-5120



Inside View



Easy-to-maintain fan filter



Shock-resistant drive bay for holding an internal 3.5" HDD

IPC-7120



Plug ring-lock securely fastens the power cord

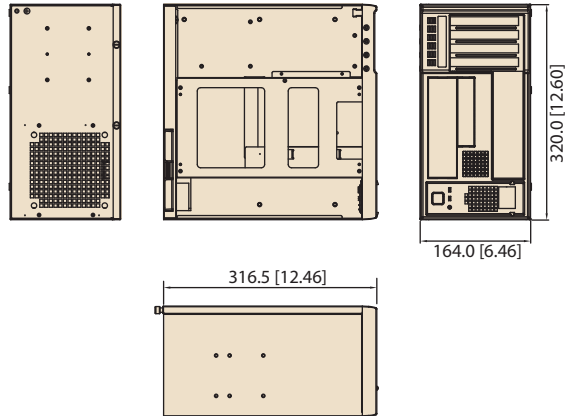


User-friendly mechanical design for installing an add-on card

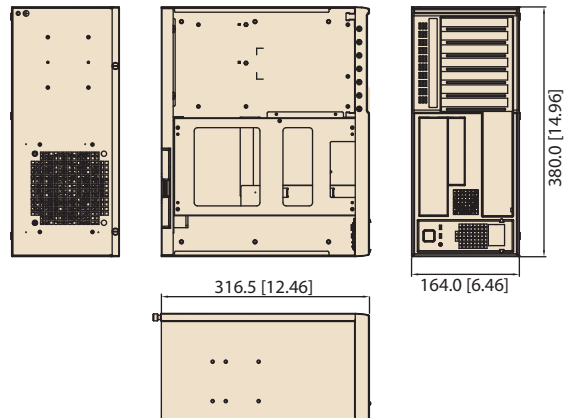
Dimensions

Unit: mm [inch]

IPC-5120



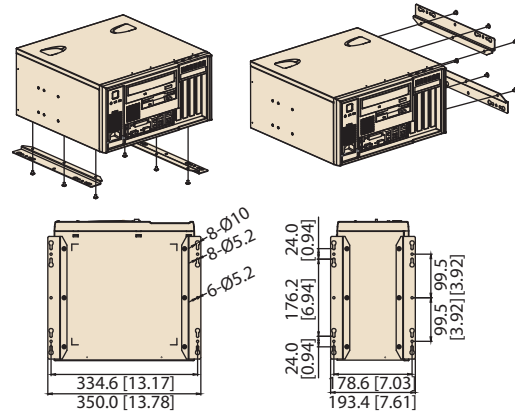
IPC-7120



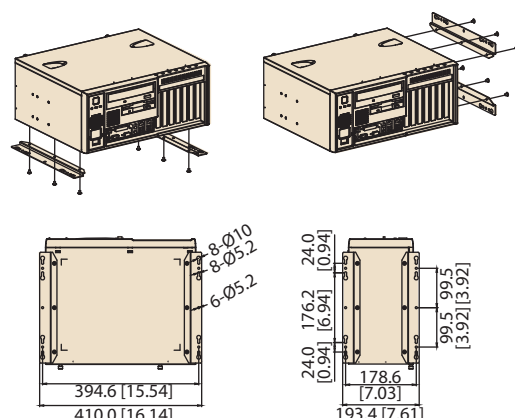
Installation

Unit: mm [inch]

IPC-5120



IPC-7120



Ordering Information

| Part Number | Power Supply | Wattage | Switch |
|------------------------|----------------|---------|--------|
| IPC-5120 Series | | | |
| IPC-5120-25CE | PS8-250FATX-XE | 250W | ATX |
| IPC-5120-35CE | PS8-350FATX-XE | 350W | ATX |
| IPC-7120 Series | | | |
| IPC-7120-25CE | PS8-250FATX-XE | 250W | ATX |
| IPC-7120-35CE | PS8-350FATX-XE | 350W | ATX |

Power Supply Specification

| Part Number | 80 Plus Grade | Wattage | Type | Input |
|----------------|---------------|---------|--------|--------------------------|
| PS8-250FATX-XE | Bronze | 250W | Single | AC 100-240V (full range) |
| PS8-350FATX-XE | Bronze | 350W | Single | AC 100-240V (full range) |

X-ON Electronics

Largest Supplier of Electrical and Electronic Components

Click to view similar products for [Modules Accessories](#) category:

Click to view products by [Advantech](#) manufacturer:

Other Similar products are found below :

[7010-0001](#) [AX98219](#) [A1UL8RISER](#) [F1UJPMICRISER](#) [FHW1U16RISER](#) [20-101-0440](#) [2828736-1](#) [MBCDROM](#) [AX61221TM](#) [VM-105](#)
[EA CARREDIPTFT02](#) [RK-210E-B](#) [E226171106](#) [88606200030E](#) [SI-HDMI-EDID-EM](#) [MIC-75M13-00A1E](#) [FPM-1000T-SMKE](#) [AMK-](#)
[R004E](#) [96FMCF-ST2ADAPTER1](#) [AHWKPTP12GBGB](#) [AXXSTCPUCAR](#) [FPK-07-R10](#) [Mini Din 6P to 6P HARNESS](#) [FPF1320 POWER](#)
[MULTIPLEXER CARRIER](#) [881261510A0E](#) [AXXP3SWX08080](#) [conga-B7XD/CSP-Cu-B](#) [881281021A0E](#) [HFT for mounting KIT](#)
[FN928X_FN929X](#) [BB-MH112-1A](#) [15100600](#) [9-5000-1116](#) [BKCMCR1ABB](#) [70763](#) [98R3612003E](#) [881261910A0E](#) [106897](#) [48222R](#)
[BREAK OUT BOARD 20](#) [4D ARDUINO ADAPTOR SHIELD II](#) [20926110901](#) [PYCASE GREEN](#) [PYCASE BLUE](#) [FP15072_ZORYA-SC-](#)
[HEKLA](#) [20952000004](#) [20953000007](#) [DP-DVI-R10](#) [575-BBIS](#) [RACK-220GW/A130B](#) [492-BBKM](#)