

# MOS-1110Y-0101E

Isolated 16 DI / 8 DO, 1-Ch, DB37, PCIe I/F

**NEW**



## Features

- Meets Advantech Standard iDoor Technology
- PCI Express® Mini Card Specification Revision 1.2 compliant
- Supports wide-input/output voltage (10-30 V<sub>DC</sub>/5-30 V<sub>DC</sub>)
- High over-voltage-protection (70 V<sub>DC</sub>) and voltage isolation (2,500 V<sub>DC</sub>)
- Easy configuration & efficient programming by Advantech DAQNav
- I/O address automatically assigned by PCIe plug & play
- Keeps the output settings and values after system hot reset
- Supports ARK-2121L and ARK-6322

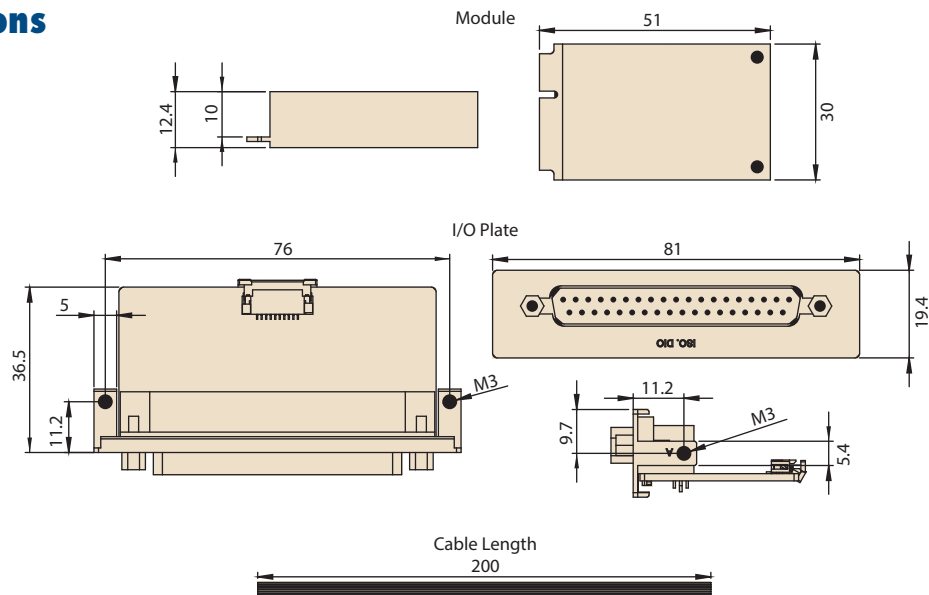


## Specifications

General	Bus Type	PCI Express Mini Card Revision 1.2
	Certification	CE, FCC class A
	Connectors	1 x Female DB37
	Dimensions	Module: 51 x 30 x 12.4 mm (2" x 1.18" x 0.49") I/O Plate: 81 x 19.4 x 41 mm (3.19" x 0.76" x 1.61")
	Power Consumption	Typical: +3.3 V @ 400 mA Max.: +3.3V @ 520 mA
Isolated Digital Input	Input Channels	16
	Input Voltage (Wet Contact)	Logic 0: 0~3 V <sub>DC</sub> Logic 1: 10~30 V <sub>DC</sub>
	Input Voltage (Dry Contact)	Logic 0: Open Logic 1: Shorted to GND
	Input Current	10 V <sub>DC</sub> @ 2.97 mA 20 V <sub>DC</sub> @ 6.35 mA 30 V <sub>DC</sub> @ 9.73 mA
	Input Resistance	5K Ohm
	Interrupt Capable Channels	2 (IDI0, IDI8)
	Isolation Protection	2,500 V <sub>DC</sub>
	Overvoltage Protection	70 V <sub>DC</sub>
	ESD Protection	4KV (Contact), 8KV (Air)
Opto-Isolator Response	50 μs	
Isolated Digital Output	Output Channels	8
	Output Type	MOSFET
	Isolation Protection	2,500 V <sub>DC</sub>
	Output Voltage	5 ~ 30 V <sub>DC</sub>
	Sink Current	100 mA max./channel
	Opto-isolator	Response 50 μs
Counter	Channels	2
	Resolution	32 bits
	Max. Input Frequency	1 kHz
Software	Tools & Drivers	Advantech DAQNav Tools & API Drivers
	OS Support	Microsoft® Windows® XP/7/8
Environment	Humidity (Operating)	5-95% RH, non-condensing
	Operating Temperature	-20 ~ 60°C (-4 ~ 140°F)
	Storage Temperature	-40 ~ 85°C (-40 ~ 185°F)

## Dimensions

Unit: mm



## Ordering Information

Part Number	Description
MOS-1110Y-0101E	Isolated 16 DI/8 DO, 1-ch, DB37, PCIe I/F

## X-ON Electronics

Largest Supplier of Electrical and Electronic Components

*Click to view similar products for [Interface Modules](#) category:*

*Click to view products by [Advantech](#) manufacturer:*

Other Similar products are found below :

[IFD8520](#) [cPCI-3544](#) [422CON](#) [ATX6022/14GP7](#) [ATX6022/8](#) [AX93221-24/48](#) [FC6A-EXM2](#) [OPT8AP-AE](#) [96RMKVM-19V1C-A](#) [60016-011](#) [60016-014](#) [60006-008](#) [60011-075](#) [HPCI-14S12U](#) [cBP-3208](#) [cBP-3062A](#) [FAB205-6P5](#) [ATX6022/6](#) [60016-012](#) [96RMKVM-17V1C-A](#) [PCE-DP10-00A1E](#) [MOS-1120Y-0201E](#) [96RMLCD-17V1-A](#) [96RMKVM-17V8C-A](#) [60004-005](#) [60016-017](#) [60006-009](#) [60016-035](#) [60016-034](#) [60016-031](#) [60016-030](#) [60016-026](#) [60016-024](#) [60016-018](#) [60016-007](#) [60016-005](#) [60007-002](#) [60006-010](#) [AXX10GBTWLHW3](#) [382-BBEH](#) [555-BDCL](#) [K6CMISZBI52](#) [426451401-3](#) [60011-093](#) [MIC-3620/3-BE](#) [MPCIE-UART-KIT02-R20](#) [RSM232](#) [PCIE-1680-AE](#) [BB-FOSTCDRI](#) [73-544-002](#)