

MOS-1120Y-0201E MOS-1121Y-0201E MOS-1120Y-1401E MOS-1121Y-1401E

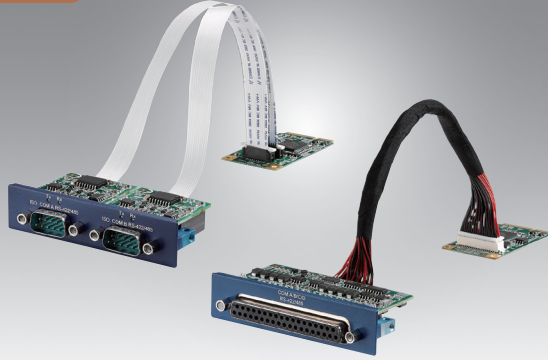
Isolated RS-232, 2-Ports, DB9, PCIe I/F

Isolated RS-422/485, 2-Ports, DB9, PCIe I/F

Non-Isolated RS-232, 4-Ports, DB9, PCIe I/F

Non-Isolated RS-422/485, 4-Ports, DB9, PCIe I/F

NEW



Features

- Meets Advantech Standard iDoor Technology
- PCI Express® Mini Card Specification Revision 1.2 compliant
- Speeds up to 921.6 kbps for extremely fast data transmission
- Supports any baud rate setting (50bps-921.6kbps)
- Supports both Isolated & Non-Isolated Protection with 2/4 Ports RS-232/422/485
- I/O address automatically assigned by PCIe plug & play
- Operating systems supported: Windows XP/Vista/7, and Linux 2.4/2.6
- OXPCle952/OXPCle954 UART with 128-byte FIFOs standard
- Supports ARK-2121L and ARK-6322

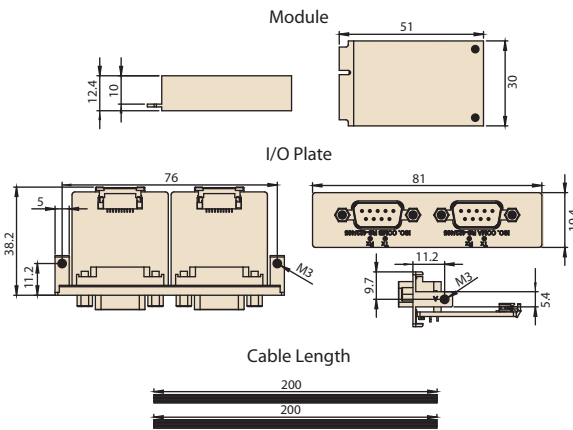
Specifications

General	Bus Type	PCI Express Mini Card Revision 1.2
	Certification	CE, FCC class A
	Connectors	2 x Male DB9 for MOS-1120Y-XXXXE 1 x Female DB37 for MOS-1121Y-XXXXE
	Dimensions	Module: 51 x 30 x 12.4 mm (2" x 1.18" x 0.49") I/O Plate: 81 x 19.4 x 41 mm (3.19" x 0.76" x 1.61")
	Power Consumption	400 mA @ +3.3 V for MOS-1120Y-XXXXE 500 mA @ +3.3 V for MOS-1121Y-XXXXE
Communications	Comm. Controller	OxPCle952 for MOS-1120Y-XXXXE OxPCle954 for MOS-1121Y-XXXXE
	Data Bits	5, 6, 7, 8
	Data Signals	RS-232: TX, RX, RTS, CTS, DTR, DSR, DCD, DI, GND RS-422: TX+, TX-, RX+, RX-, (MOS-1121Y-1401E) TX+, TX-, RX+, RX-, CTS+, CTS-, RTS+, RTS- (MOS-1121Y-0201E) RS-485: Data+, Data-
	FIFO	128 bytes
	Flow Control	RTS/CTS (MOS-1121Y-1401E not supported), Xon/Xoff
	Parity	None, Odd, Even, Mark and Space
	Speed	50 bps ~ 921.6 kbps (MOS-1121Y-0201E & MOS-1121Y-1401E only) and any other baud rate setting 230.4 kbps
Protection	Stop Bits	1, 1.5, 2
	Isolation Protection	2,000 V _{DC} for MOS-1120Y-XXXXE only
	ESD Protection	15 KV
	EFT Protection	2,500 V
Software	Surge Protection	1,000 V _{DC}
	Bundled Software	ICOM Tools & Drivers
Environment	OS Support	Microsoft® Windows® XP/Vista/7 and Linux
	Humidity (Operating)	5-95% RH, non-condensing
	Operating Temperature	-20 ~ 60° C (-4 ~ 140° F)
	Storage Temperature	-40 ~ 85° C (-40 ~ 185° F)

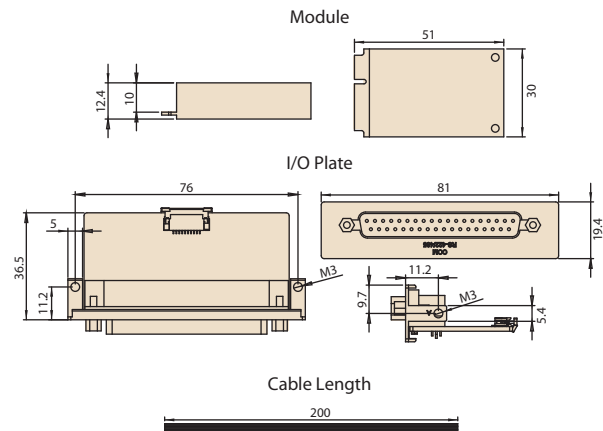
Dimensions

Unit: mm

MOS-1120Y-XXXXE/MOS-1121Y-1401E



MOS-1121Y-XXXXE/MOS-1121Y-1401E



Ordering Information

Part Number	Description
MOS-1120Y-0201E	Isolated RS-232, 2-Ports, DB9, PCIe I/F
MOS-1121Y-0201E	Isolated RS-422/485, 2-Ports, DB9, PCIe I/F
MOS-1120Y-1401E	Non-Isolated RS-232, 4-Ports, DB9, PCIe I/F
MOS-1121Y-1401E	Non-Isolated RS-422/485, 4-Ports, DB9, PCIe I/F

X-ON Electronics

Largest Supplier of Electrical and Electronic Components

Click to view similar products for [Interface Modules](#) category:

Click to view products by [Advantech](#) manufacturer:

Other Similar products are found below :

[IFD8520](#) [cPCI-3544](#) [422CON](#) [ATX6022/14GP7](#) [ATX6022/8](#) [AX93221-24/48](#) [FC6A-EXM2](#) [OPT8AP-AE](#) [96RMKVM-19V1C-A](#) [60016-011](#) [60016-014](#) [60006-008](#) [60011-075](#) [HPCI-14S12U](#) [cBP-3208](#) [cBP-3062A](#) [FAB205-6P5](#) [ATX6022/6](#) [60016-012](#) [96RMKVM-17V1C-A](#) [MOS-1120Y-0201E](#) [96RMLCD-17V1-A](#) [96RMKVM-17V8C-A](#) [60004-005](#) [60016-017](#) [60006-009](#) [60016-035](#) [60016-034](#) [60016-031](#) [60016-030](#) [60016-026](#) [60016-024](#) [60016-018](#) [60016-007](#) [60016-005](#) [60007-002](#) [60006-010](#) [AXX10GBTWLHW3](#) [382-BBEH](#) [555-BDCL](#) [K6CMISZBI52](#) [426451401-3](#) [60011-093](#) [MIC-3620/3-BE](#) [MPCIE-UART-KIT02-R20](#) [RSM232](#) [PCIE-1680-AE](#) [BB-FOSTCDRI](#) [73-544-002](#) [UC-313](#)