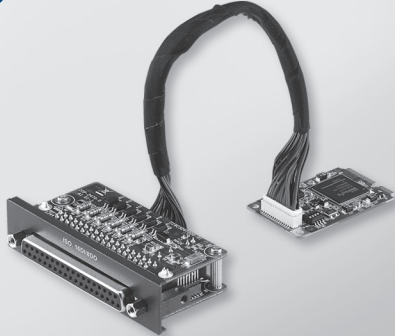


PCM-27D24DI

24-Channel Isolated Digital I/O w/ Counter mPCIe, DB37

NEW



Features

- Meets Advantech iDoor technology standard
- PCI Express® Mini card specification revision 1.2 compliant
- Supports wide-input/output voltage (10-30 V_{DC}/5-30 V_{DC})
- High over-voltage-protection (70 V_{DC}) and voltage isolation (2,500 V_{DC})
- Easy configuration & efficient programming by Advantech DAQNav
- I/O address automatically assigned by PCIe plug & play
- Keeps the output settings and values after system hot reset
- Supports embedded automation PC UNO-2200/2300/2400 series
- Supports control DIN-Rail PC UNO-1300/1400 series
- Supports control cabinet PC UNO-3200/3300/3400 series
- Supports control panel computers TPC-xx81/xx82 series
- Supports thin client panel computers TPC-xx51 series

Introduction

The PCM-27 series are digital input/output modules from Advantech iDoor Technology. They are all compatible with the PCI Express® Mini Card Specification Revision 1.2, including isolated / non-isolated RS-232/422/485 communication cards for automation control, Wi-Fi/3G/GPS/GSM/LTE wireless communication models for data exchange for management and machine level automation applications; the ZigBee module serves as an IoT terminal or controller, and PoE function for smart cameras in detection-inspection-production applications. This is a flexible design that enables customers to customize their features with iDoor Technology.

Specifications

General

- Bus Type** PCI Express Mini Card Revision 1.2
- Certification** CE, FCC class A
- Connectors** 1 x Female DB37
- Dimensions** Module: 51 x 30 x 12.4 mm (2" x 1.18" x 0.49")
I/O Plate: 81 x 19.4 x 41 mm (3.19" x 0.76" x 1.61")
- Power Consumption** Typical: +3.3 V @ 400 mA
Max.: +3.3V @ 520 mA

Isolated Digital Input

- Input Channels** 16
- Input Voltage (Wet Contact)** Logic 0: 0-3 V_{DC}
Logic 1: 10-30 V_{DC}
- Input Voltage (Dry Contact)** Logic 0: Open
Logic 1: Shorted to GND
- Input Current** 10 V_{DC} @ 2.97 mA
20 V_{DC} @ 6.35 mA
30 V_{DC} @ 9.73 mA
- Input Resistance** 5K Ohm
- Interrupt Capable Channels** 2 (ID10, ID18)
- Isolation Protection** 2,500 V_{DC}
- Overvoltage Protection** 70 V_{DC}
- ESD Protection** 4KV (Contact), 8KV (Air)
- Opto-isolator Response** 50 µs

Isolated Digital Output

- Output Channels** 8
- Output Type** MOSFET
- Isolation Protection** 2,500 V_{DC}
- Output Voltage** 5 ~ 30 V_{DC}
- Sink Current** 100 mA max./channel
- Opto-isolator** Response 50 µs

Counter

- Channels** 2
- Resolution** 32 bits
- Max. Input Frequency** 1 kHz

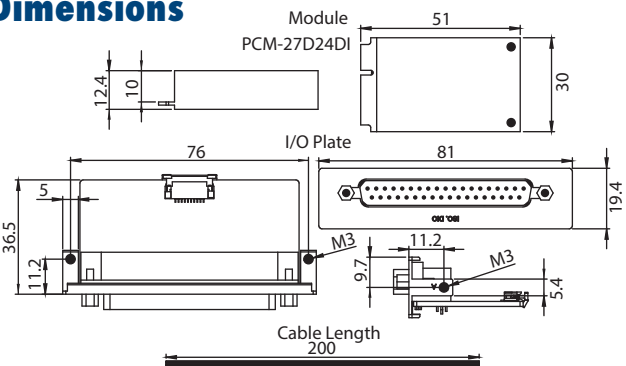
Software

- Tools & Drivers** Advantech DAQNav Tools & API Drivers
- OS Support** Microsoft® Windows® XP/7/8
Linux Ubuntu 14.04, OpenSUSE 13.1, Fedora 20,
Debian 6.08, Red Hat 6.5

Environment

- Humidity (Operating)** 5-95% RH, non-condensing
- Operating Temperature** -20 ~ 60°C (-4 ~ 140°F)
- Storage Temperature** -40 ~ 85°C (-40 ~ 185°F)

Dimensions



Ordering Information

- PCM-27D24DI-AE** Iso. Digital I/O, 16DI/8DO, mPCIe, DB37 x 1

Accessories

- PCL-10137-1E** DB-37 Shielded Cable, 1m
- PCL-10137-2E** DB-37 Shielded Cable, 2m
- PCL-10137-3E** DB-37 Shielded Cable, 3m
- ADAM-3937-BE** DB-37 Wiring Terminal, DIN-rail Mount

X-ON Electronics

Largest Supplier of Electrical and Electronic Components

Click to view similar products for [I/O Modules](#) category:

Click to view products by [Advantech](#) manufacturer:

Other Similar products are found below :

[70L-IDC5S](#) [70L-OAC-L](#) [70Z3289-4](#) [G21960000700](#) [G21960002700](#) [G34960002700](#) [OACU](#) [C4SWOUT](#) [PB16H](#) [G34960001700](#) [G3TA-OA101SZ-1](#) [DC24](#) [G77-S](#) [5607189](#) [DA5](#) [ODC-24A](#) [IDC5P](#) [FC6A-N16B1](#) [6421](#) [70MRCQ32-HL](#) [G3TAOD201SDC24](#) [C200H-LK201-V1](#)
[G3TA-OA202SZ-US](#) [DC12](#) [GT1-OD16](#) [GT1-AD04CST](#) [B7AM-6BS](#) [70GRCQ24-HS](#) [6422](#) [84110410](#) [GT1-OD16MX](#) [G7VC-OC16-B7](#)
[70MRCK24-DIN](#) [6202](#) [6402](#) [PI/NI-2D/24](#) [FC6A-J2C1](#) [FC6A-KC1C](#) [FC6A-R081](#) [FC6A-J8CU1](#) [GP32900003700](#) [641-480-5022](#) [PB16H](#)
[84145010](#) [84110210](#) [FRUSB1601](#) [PCL-720+-BE](#) [FRRJ451601](#) [AP24MX3DB25F](#) [ADAM-5053S-AE](#) [WISE-S614-A](#) [C200H-OD211](#)