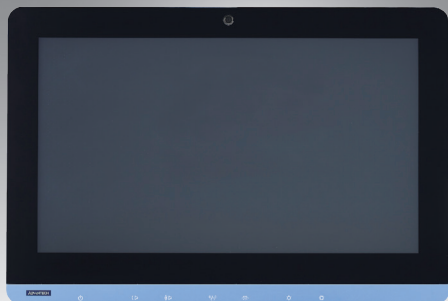


POC-W152

15.6" Widescreen Point-of-Care Terminal



Features

- Runs on an Intel® Core™ i3/i5/i7, Bay Trail J1900 processor with a fanless, high performance profile
- 15.6" HD resolution with edge-to-edge and bezel-less design
- USB 3.0 and PCIe / mini PCIe expansion slot
- Offers a multi-touch option to deliver a truly unmatched touchscreen experience
- IP43 enclosure to protect against dust and water splashing for ease of cleaning
- Isolated design provides unique electric leakage protection for COM ports, LAN ports, and optional USB port
- Optional Bluetooth, RFID, inner WLAN module, Li-ion battery pack, and auto-focus 5MP camera

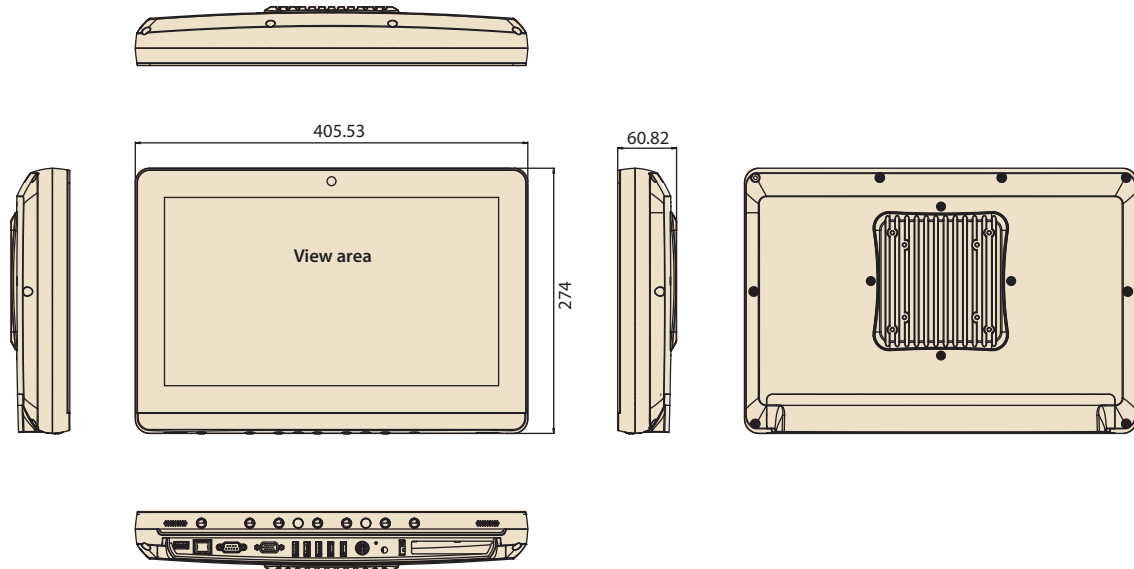


Specifications

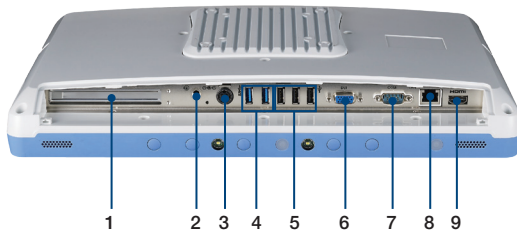
		Model A/B/D	Model C
Computing System	CPU	Intel® Core™ i7-4650U Processor Intel® Core™ i5-4300U Processor Intel® Core™ i3-4010U Processor	Intel® Bay Trail J1900 Processor
	Memory	Up to 16GB DDR3L 1600MHz	Up to 8GB DDR3L 1600MHz
	Graphics Controller	Intel HD Graphics 5000	Intel HD Graphics
	Operating System	Windows 7, Windows 8 Embedded Standard, Windows 8 Industry Pro, Windows 10 (Linux by project)	
Display	Display Size	15.6" TFT LCD (16:9)	
	Type	VA	
	Max Resolution	1366 x 768	
	Max. Colors	16.7 M colors (6-bits+A-FRC)	
	Pixel Pitch (mm)	0.252 x 0.252	
	Viewing Angle	160°/160°	
	Luminance	300 cd/m ²	
	Backlight	LCD	
Expansion Slot	Mini PCIe	2 x mini PCIe (1 full-size for mSATA or mini PCIe, 1 half-size for mini PCIe)	1 x mini PCIe (half-size), 1 x optional mSATA
	PCIe	1 x PCIe (x4)	1 x PCIe (x4 slot, x1 bandwidth)
Storage	HDD	1 x 2.5" SATA, Support 5V/12V, Height up to 9.5mm, Easy installation	
I/O Ports	Serial Ports	1 x RS-232/422/485 serial port	
	USB Ports	2 x USB 3.0 ports 3 x USB 2.0 ports	
	HDMI	1 x HDMI	
	VGA Port	1 x VGA	
	LAN	1 x Gigabit Ethernet (RJ45 isolation)	
	Audio	2 x speakers (2 W)	
Power Supply	AC Model	External Power Adapter	
	Input Voltage	100 ~ 240 V _{AC} , 1.2 ~ 0.5 A, 47 ~ 63 Hz	
	Output Voltage	+18 V _{DC} , 5.55 A max. (100 watts)	
Optional Function	UPS Battery	3S2P 5500mAh, supports at least 0.5 hr backup operation	
	WLAN/Bluetooth	Wi-Fi/BT4.1 (802.11a/b/g/n/ac)	by project for Model C
	Smart Card Reader	Complies with ISO7816-1,2,3,T=1 and T=0 protocol	
	RFID	Passive RFID / Active RFID	
	Web cam	Auto-focus 5MP Camera	
Touch Screen	Type	P-cap Multi-touch or Res TS, True Flat Design	
	Light transmission	P-cap 90%; Res. TS 75%	
	Controller	USB interface	
	Surface	P-cap. AR /Res. AG	
IP Rating	Front Panel	IP65	
	Entire Panel	IP43	
Certification	CE, FCC Class B, UL60601-1, EN60601-1 approved		
Environment	Temperature	0 ~ 40° C (Operating); -20 ~ 60° C (Storage/Transportation)	
	Humidity	10 ~ 90% @ 40° C (Non-condensing) (Operating), 5 ~ 90% (Storage/Transportation)	
	Shock Resistance	20G peak acceleration (11ms duration)	
Physical Characteristics	Dimensions (W x H x D)	405.53 x 274 x 60.82 mm	
	Weight	4.65 Kg (10.25 lb)	

Dimensions

Unit: mm

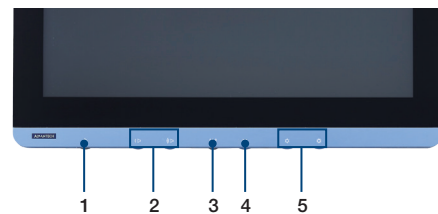


I/O Ports



- 1. PCIe (x4) card slot
- 2. Equipotential Terminal Pin
- 3. Power DC-in
- 4. 2 x USB 3.0 ports
- 5. 3 x USB 2.0 ports
- 6. VGA port
- 7. COM port
- 8. Gigabit Ethernet Interfaces (RJ-45)
- 9. HDMI-out port

Function Keys



- 1. Power
- 2. Volume Down/Up
- 3. Touchscreen Status Control
- 4. Read Light control
- 5. Brightness Decrease/Increase

Ordering Information

Part Number	Description	HDD	RAM
POC-W152-A11D-ACE	POC-152 bare w/i7 4650U/P-cap	-	4G
POC-W152-A11D-ATE	POC-152 bare w/i7 4650U/Res.	-	4G
POC-W152-B11D-ACE	POC-152 bare w/i5 4300U/P-cap	-	4G
POC-W152-B11D-ATE	POC-152 bare w/i5 4300U/Res.	-	4G
POC-W152-D11D-ACE	POC-152 bare w/i3 4010U/P-cap	-	4G
POC-W152-D11D-ATE	POC-152 bare w/i3 4010U/Res.	-	4G
POC-W152-C11D-ACE	POC-152 bare w/J1900/P-cap	-	4G
POC-W152-C11D-ATE	POC-152 bare w/J1900/Res.	-	4G

Option Modules

Part Number	Description
POC-W152-BTRE	Battery module (5500mAh Li-ion battery)
POC-W152-WF1E	802.11 ac/a/b/g/n + Bluetooth 4.1 (for A/B/D models only)

Accessories

Part Number	Description
PDC-W215-Stand-H1E (black, 2-8kg)	PDC-W215 STAND_H1-741 type_2-8kg Black
1702002600	Power Cable (USA) 1.8 M
1702002605	Power Cable (Europe) 1.8 M

X-ON Electronics

Largest Supplier of Electrical and Electronic Components

Click to view similar products for [Panel PCs category](#):

Click to view products by [Advantech manufacturer](#):

Other Similar products are found below :

[GOT-5100T-832](#) [GOT-3126T-832](#) [BYARM-W071-PC](#) [STC-15WR-E3950,4G,64GB M.2](#) [STC-15WP-E3950,4G,64GB M.2](#) [POC-W152-C11D-ACE](#) [PWS-770-VMOUNT00E](#) [PWS-870-CHDC00E](#) [PWS-870-UCOVER00E](#) [TREK-572-LWB7B0E](#) [ESRP-HMI-TPC1551](#) [ESRP-HMI-TPC1251](#) [ESRP-HMI-TPCB200](#) [BYARM-181-PC](#) [BYTEM-121-PC](#) [IDOOH-210-IR](#) [AFL3-W15A-BT-J1/PC/2G-R13](#) [IOVU-07F-AD-WBC-R10](#) [003002400100](#) [1050387](#) [SPTM20XP](#) [XPTB10X](#) [UTC-W101BF-ABI0E](#) [UTC-W101B-ABI0E](#) [UTC-W101B-AWI0E](#) [UTC-532C-GE](#) [UTC-532A-GE](#) [UTC-520A-PE](#) [UTC-520A-GE](#) [TREK-722R-A1E](#) [TREK-570-00A0E](#) [PWS-870-7S6G4P5F0E](#) [PPC-174T-WL-MTE](#)
[110070048](#)