

PWS-770

10.4" Rugged Tablet with Intel® Atom™ N2600



Features

- 10.4" XGA LED panel, WAV transfective-LCD, high brightness 300 cd/m²
- Hot swap, high capacity Li-ion battery provides 8 hours of operation⁽¹⁾
- Rich array of I/O ports supports a variety of applications
- IP54-certified, 4ft drop proof
- Complete communication: Wi-Fi/Bluetooth/GPS/WWAN (3.75G)
- Optional data capture modules: 1D/ 2D barcode scanner / MSR / RFID
- Lightweight, 1.2 kg



Introduction

The PWS-770 is a rugged mobile tablet featuring a 10.4" XGA resolution TFT LCD panel and an Intel® Atom™ N2600 1.6 GHz processor. It comes with 802.11 b/g/n WiFi, Bluetooth 4.0, a 2M pixel camera. It also has built-in optional GPS and WWAN 3.75G antenna. PWS-770 optional devices include an RFID module with antenna, a 1D/2D barcode scanner and an MSR card reader. PWS-770 is a fully functional communication device suitable for any outdoor application. It carries an IP54 rating for protection against dirt, dust and water. PWS-770 can also survive a 4-foot drop. Advantech's PWS-770 is a strong tablet PC for industrial and commercial use in any environment.

Specifications

Motherboard	CPU	Intel Atom N2600/1.6 GHz	
	Chipsets	Intel NM10	
	Memory	SODIMM DDRIII to 2 GB	
	Storage	Supports mSATA SSD 32 GB ~ 128 GB	
Display & Touchscreen	Display	10.4" XGA (1024 x 768) (Transflective) LCD 300 cd/m ² LED back light	
	Touch Panel	4-wire resistive touch panel	
System	Wireless Communication	802.11b/g/n WLAN (default); 802.11 a/b/g/n (optional) Bluetooth 4.0 class2 GPS (u-blox 6; 50-channel; supports GALILEO); WWAN (Cinterion PH8)	
	Camera	CMOS 2.0M pixel Camera module	
	Security	1. Password security 2. TPM 1.2 (Optional)	
	Application Buttons	Power button x 1 Function keys x 3 (F1-F3) Tablet PC keyboard x 1 Mode key x 1	Enter key x 1 Activate key x 2 (S1 & S2): Activate barcode reader, camera & dimming adjustment required to control the brightness
	LED Status Indicator	Power LED (Green/Yellow) x1 Storage LED (Green) x1	WLAN LED (Green) x1
	I/O Interfaces	USB 2.0 x 2 Serial port RS-232 x 1 VGA port x 1 Audio in jack x 1 Audio out jack x 1	Internal mono microphone x 1 DC-in x 1 Docking port (32-pin; USB/PCIE/DC) SIM slot (with WWAN option)
	Audio Output	1 Watt speaker x 2	
	Expansion Port	SD memory card x 1 (SD 2.0/SDHC)	
	Battery	Internal battery: 3S1P 11.1V 1880mAh Hot-Swap External Battery: 11.1V 3760/5000mAh (Optional)	
	DC Input	19V 1± 5%	
	OS Support	Windows 7 Professional /Embedded	
Optional Devices	Data Collection	CMOS 2.0M pixel Camera module (default); 5.0M pixel Camera (optional) 1D/2D Barcode MSR; HF RFID	
Environmental Specifications	Temperature & Humidity	Operating Temperature: -20° C (*2) ~ 50° C (Charge: 0° C ~ 40° C for the battery protection) Storage Temperature -30° C ~ 60° C Operating Humidity 5% ~ 95% @ 40° C	
	IP Rating	IP54	
	Drop	4-foot drop onto Plywood, MIL-STD-810G 516.5 Procedure VI	
	Vibration	MIL-STD-810G, EN50155 certified	

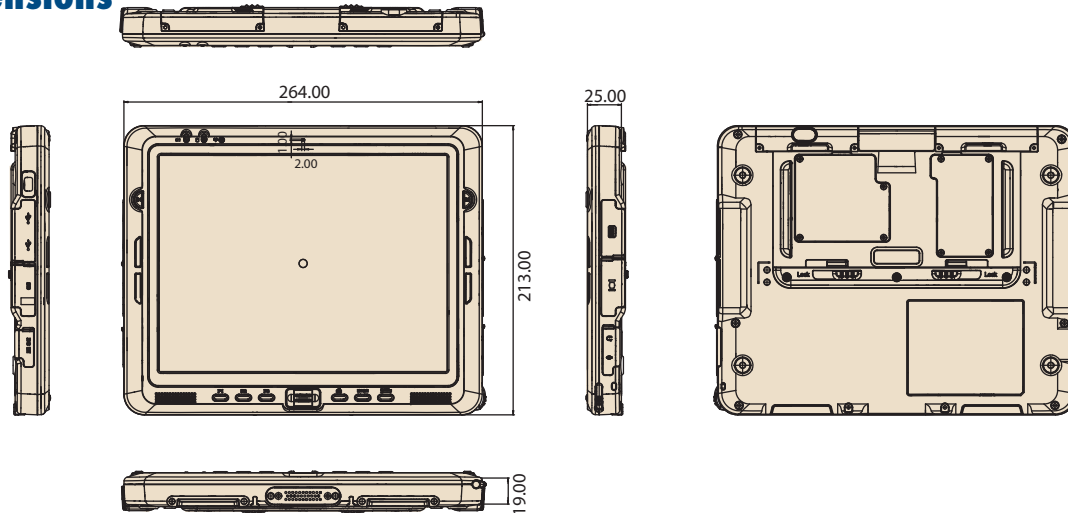
(1) - Internal battery + external 2nd battery 5000mAh in Battery Mark with maximum peripherals connected (Wi-Fi & BT enabled) the battery life up to 7.5hrs

- Internal battery + external 2nd battery 5000mAh idle with minimum peripherals connected in OS (Wi-Fi & BT disabled) the battery life up to 8.5 hrs

(2) Battery life and charge cycles vary by use and settings.

Dimensions

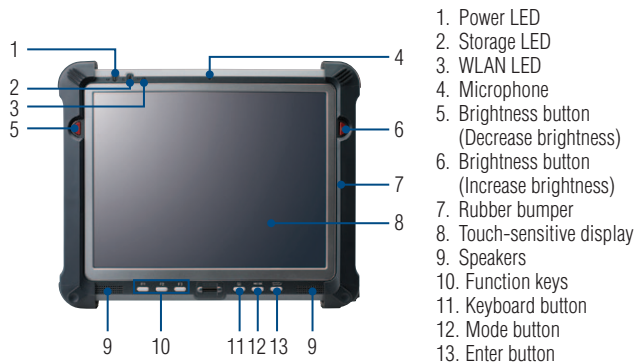
Unit: mm



Specifications Cont.

Certifications	EMC	CE/FCC/CCC/BSMI/C-Tick/PTCRB
	Safety	UL/CE/CB/CCC
Dimensions & Weight	Dimensions	264 (L) x 213 (W) x 18 (H) mm
	Weight	Under 1.2 kg without rubber bumper & optional devices

I/O Connectors



Ordering Information

Standard Configuration

Part Number	Description
PWS-770-N3A0EC001E	10.4 Normal N2600 RAM2G SSD32 WL BT Win7 EM
PWS-770-N3AWEC001E	10.4 Normal N2600 RAM2G SSD32 WL BT GPS 3G Win7 EM
PWS-770-S3A0PC001E	10.4 Sunlight N2600 RAM2G SSD32 WL BT Win7 PRO
PWS-770-S3AWPC001E	10.4 Sunlight N2600 RAM2G SSD32 WL BT GPS 3G Win7 PRO

Note: The package are included PWS-770 table and Power adapter (not include power cord)

Barebones (CTOS only)

Part Number	Description
PWS-770-N0A00C001E	PWS-770 Barebone, Normal 10.4"/WL/BT
PWS-770-N0AW0C001E	PWS-770 Barebone,Normal/WL/BT/GPS/3G
PWS-770-S0A00C001E	PWS-770 Barebone, Sunlight/WL/BT
PWS-770-S0AW0C001E	PWS-770 Barebone,Sunlight/WL/BT/GPS/3G

Accessories

Part Number	Description
S10A-93-S10A6-011	VESA mount (M6)
S10A-93-S10A6-021	VESA mount (M4)
S10A-93-S10A1-001	Carrying bag
S10A-93-S10AA-002	Handstrap
S10A-93-S10A6-001	Stand
1757002943	Adapter 100-240V 65W 19V 3.42A
PWS-770-CADAP00E	PWS-770 Car adapter ADP90DCA-M12 to Cigar Lighter (1200mm)
PWS-770-BAT100E	PWS-770 2nd Battery (3760mAh)
PWS-770-BAT200E	PWS-770 2nd Battery (5000mAh)
PWS-770-CRADLE00E	PWS-770 Desk Cradle
PWS-770-VCRADLE00E	PWS-770 Vehicle Docking Station; with LAN Cable M12(M) cable 8P/RJ45(F) (50mm)

X-ON Electronics

Largest Supplier of Electrical and Electronic Components

Click to view similar products for [Panel PCs category](#):

Click to view products by [Advantech manufacturer](#):

Other Similar products are found below :

[GOT-5100T-832](#) [GOT-3126T-832](#) [BYARM-W071-PC](#) [STC-15WR-E3950,4G,64GB M.2](#) [STC-15WP-E3950,4G,64GB M.2](#) [POC-W152-C11D-ACE](#) [PWS-770-VMOUNT00E](#) [PWS-870-CHDC00E](#) [PWS-870-UCOVER00E](#) [TPC-31T-E3AE](#) [TREK-572-LWB7B0E](#) [ESRP-HMI-TPC1551](#) [ESRP-HMI-TPC1251](#) [ESRP-HMI-TPCB200](#) [BYARM-181-PC](#) [BYTEM-121-PC](#) [IDOOH-210-IR](#) [AFL3-W15A-BT-J1/PC/2G-R13](#) [IOVU-07F-AD-WBC-R10](#) [003002400100](#) [1050387](#) [SPTM20XP](#) [XPTB10X](#) [UTC-W101BF-ABI0E](#) [UTC-W101B-ABI0E](#) [UTC-W101B-AWI0E](#) [UTC-532C-GE](#) [UTC-532A-GE](#) [UTC-520A-PE](#) [UTC-520A-GE](#) [TREK-722R-A1E](#) [TREK-570-00A0E](#) [PWS-870-7S6G4P5F0E](#) [PPC-174T-WL-MTE](#) [110070048](#)