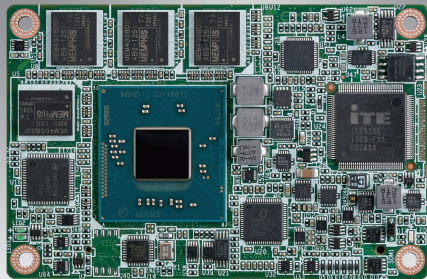


SOM-7567

Intel® Atom™/Celeron® Processor COM Express® Mini Module



Features

- COM R.2.1 Type 10 Mini Module
- Intel® Atom™/Celeron® processor for Intelligent systems (Based on 22nm Silvermont microarchitecture)
- Onboard DDR3L and SSD
- 4.75 ~ 20 V wide-voltage input support
- Embedded Software APIs and Utilities supported

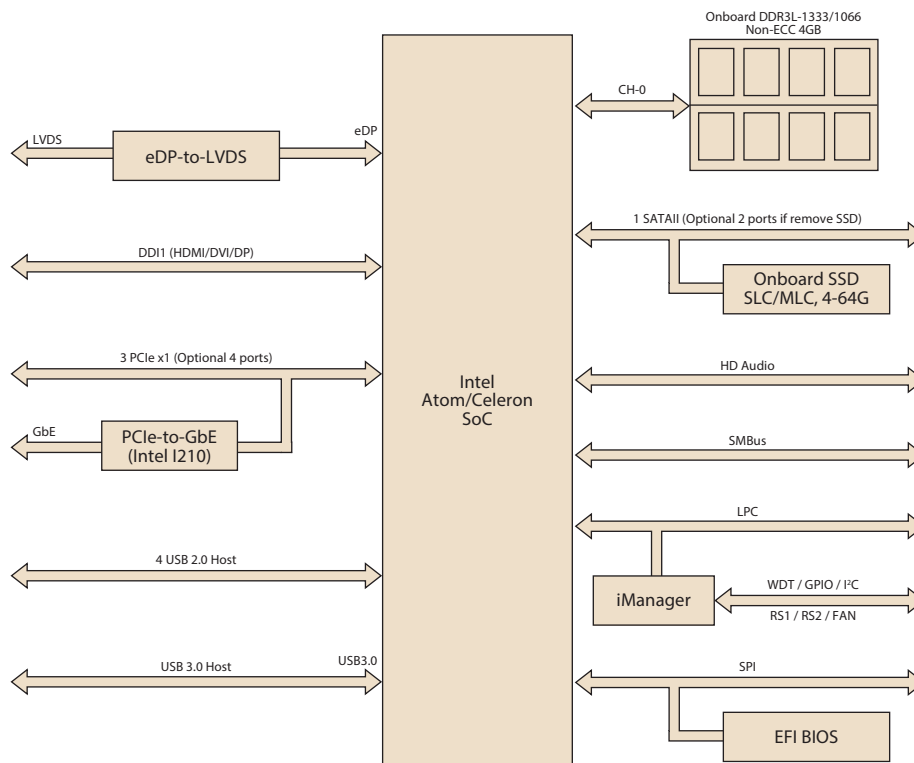
Software APIs:



Specifications

Form Factor	Form Factor Pin-out Type	COM Express Mini Module COM Express R2.1 Type 10						
Processor System	CPU	Intel Atom E3845	Intel Atom E3825	Intel Atom E3815	Intel Atom E3827	Atom® E3805	Intel Celeron J1900	Intel Celeron N2930
	Core	4	2	1	2	-	4	4
	Base Frequency (Normal)	1.91GHz	1.33GHz	1.46 GHz	1.75GHz	1.33GHz	2.00 GHz	1.83 GHz
	Base Frequency (Burst)	-	-	-	-	-	2.42 GHz	2.16 GHz
	LLC	2MB	1MB	512KB	1MB	1MB	2MB	2MB
Memory	CPU TDP	10W	6W	5W	8W	3W	10W	7.5W
	BIOS	AMI UEFI 64Mbit						
	Technology	DDR3L-1333	DDR3L-1066	DDR3L-1066	DDR3L-1333	DDR3L-1066	DDR3L-1333	DDR3L-1333
SSD	ECC Support	N/A						
	Max. Capacity	Up to 4G						
Graphics	Technology & Capacity	MLC up to 64GB, SLC up to 32GB						
	Controller	Intel® HD graphics (Gen 7 gfx)				No graphic		
	Frequency (Normal)	542 MHz	533 MHz	400 MHz	542MHz	No graphic	688 MHz	313 MHz
	Frequency (Turbo)	792 MHz	-	-	792MHz	No graphic	854 MHz	854 MHz
Display	3D/HW Acceleration	DX11, OGL3.2, OCL1.1, and H.264/AVC, VC-1, MPEG2 HW Decode/Encode					No graphic	
	LCD	LVDS 1-ch 18/24-bit, up to 1366 x 768 resolution						
	DDI (HDMI/DVI/DisplayPort)	Up to 2560 x 1600 resolution						
Expansion	Dual Display	LCD + DDI						
	PCI Express x1	3 Ports (optional 4 PCIe x1 or 1 PCIe x4 while removing Ethernet), compliant to PCIe Gen2 5.0 GT/s						
	Audio Interface	Intel HD Audio						
Serial Bus	LPC	Yes						
	SMBus	Yes						
Ethernet	I²C Bus	Yes						
	Controller	Intel i210E						
I/O	Speed	10/100/1000MHz						
	SATA	1 Ports (optional 2 ports while remove onboard storage), compliant to SATA2.0 3.0 Gb/s						
	USB3.0	1 port						
	USB2.0	4 ports						
	SPI Bus	1 channel, for SPI BIOS EEPROM						
	GPIO	8-bit						
	Watchdog	0-65535 sec, multi-level, multi-option watchdog timer support by Advantech iManager						
	COM Port	2 ports 2-wire COM port (TX/RX)						
	Express Card	2 ports						
	Smart Fan	1 port						
Power	Type	ATX/AT, 12Vin, VSB: 5VSB						
	Supply Voltage	Vin: 4.75V - 20V VSB: 4.75V - 5.25V						
	Power Consumption (Max.)	+12V @ 1.38A (E3845)						
		+12V @ 1.59A (J1900)						
		+12V @ 0.74A (E3815)						
+12V @ 0.84A (E3825)								
Power Consumption (Idle)	+12V @ 1.44A (N2930)							
	+12V @ 0.67A (E3845)							
	+12V @ 0.25A (J1900)							
	+12V @ 0.59A(E3815)							
Environment	Temperature	+12V @ 0.64A (E3825)						
		+12V @ 0.68A (N2930)						
	Humidity	Operating Standard: 0 ~ 60 °C (32 ~ 140 °F) Extend Temp.: -40 ~ 85 °C (-40 ~ 185 °F) Storage: -40 ~ 85 °C (-40 ~ 185 °F)						
Mechanical	Dimensions	Operating: 40 °C @ 95% relative humidity, non-condensing Storage: 60 °C @ 95%relative humidity, non-condensing						
		84 x 55 mm (3.3" x 2.17")						

Block Diagram



Ordering Information

Part No.	CPU	Onboard Memory	Onboard Flash	LVDS	HDMI/ DVI/DP	PCIe x1	HD Audio	GbE	SATAII	USB 3.0	USB 2.0	Thermal Solution	Operating Temperature
SOM-7567CS0CB-S9A1	Atom E3845	4GB	N/A	18/24 bits	1	3	Yes	1	2	1	4	Passive	0 ~ 60 °C
SOM-7567BS0CB-S3A1	Atom E3825	2GB	N/A	18/24 bits	1	3	Yes	1	2	1	4	Passive	0 ~ 60 °C
SOM-7567BS0CB-S5A1	Atom E3815	2GB	N/A	18/24 bits	1	3	Yes	1	2	1	4	Passive	0 ~ 60 °C
SOM-7567CM8CB-U0A1	Celeron J1900	4GB	MLC 8GB	18/24 bits	1	3	Yes	1	2	1	4	Passive	0 ~ 60 °C
SOM-7567BS0CB-S8A1	Celeron N2930	4GB	N/A	18/24 bits	1	3	Yes	1	2	1	4	Passive	0 ~ 60 °C
SOM-7567BS0CB-S2A1	Atom E3805	2GB	N/A	18/24 bits	1	3	Yes	1	2	1	4	Passive	0 ~ 60 °C
SOM-7567BS0CB-S7A1	Atom E3827	2GB	N/A	18/24 bits	1	3	Yes	1	2	1	4	Passive	0 ~ 60 °C
SOM-7567CS0XB-S9A1	Atom E3845	4GB	N/A	18/24 bits	1	3	Yes	1	2	1	4	Passive	-40 ~ 85 °C
SOM-7567BS0XB-S3A1	Atom E3825	2GB	N/A	18/24 bits	1	3	Yes	1	2	1	4	Passive	-40 ~ 85 °C
SOM-7567BS0XB-S5A1	Atom E3815	2GB	N/A	18/24 bits	1	3	Yes	1	2	1	4	Passive	-40 ~ 85 °C

*Any other sku or combination is project based support. Please contact sales for details.

Packing List

Part No.	Description	Quantity
-	SOM-7567 COM Express Mini Module	1
1960064246N001	Heatspreader	1

Optional Accessories

Part No.	Description
1960056280N001	Semi-Heatsink 84L x 55W x 13.2H mm (0 ~ 60° C)
1960050950N001	Semi-Heatsink 84L x 55W x 34H mm (-40 ~ 85° C)

Development Board

Part No.	Description
SOM-DB5800-U0A2E	Development Board for COM Express Mini Module Type 10 Pin-out

Embedded OS

OS	Part No.	Description
WES7	2070013084	WES7E SOM-7567 x64 V5.6.8 ENG

X-ON Electronics

Largest Supplier of Electrical and Electronic Components

Click to view similar products for [System-On-Modules - SOM category](#):

Click to view products by [Advantech manufacturer](#):

Other Similar products are found below :

[PICOIMX6S10R512NI4GBW](#) [20-101-1067](#) [20-101-1068](#) [PICOIMX6S10R512SD](#) [COMX-CORE-310](#) [CC-9P-V513-C](#) [COMX-P4040-4G-ENP2](#) [PICOIMX6U10R1GBNI4G](#) [PICOIMX6U10R1GBNI4GBW](#) [SOM-5897C7-U8A1E](#) [SOM-5897C7-U0A1E](#) [NI6D_SOM_v2](#) [20-101-0079](#) [RM-F6SO1-SMC](#) [SOM-RK3399-Q7-2.1-I-4096M-32G-CAN](#) [MC27561-TIGER](#) [MC27561-LION](#) [AM335XBBLK-SYSTEM](#) [BD63715AEFV-EVK-001](#) [MC27561-FOX](#) [CC-WMX6UL-SMPL](#) [CB-52-PUS-110-SX](#) [BD63725BEFV-EVK-002](#) [BD63521EFV-EVK-001](#) [BD63525AEFV-EVK-001](#) [BD63511EFV-EVK-001](#) [BD63725BEFV-EVK-001](#) [EDI1.SPON.AL.S 937637](#) [SOM-6898C3Z2-U4A1E](#) [MYD-C4378-4E512D-100-I](#) [Q7M311-N4200-4GB](#) [SCM-20100E-B](#) [SCM-20260E-B](#) [PICOIMX7D10R10E169377](#) [PICOIMX8MMQ18R40E16](#) [100-1215-1](#) [EIC-Q410-200](#) [COMX_P4080](#) [CC-ACC-LCDW-10](#) [20-101-0081](#) [151-0096](#) [SIP-005AYS001](#) [BS2P24](#) [BS2P40](#) [BS2PE](#) [RK3188-SOM](#) [RK3188-SOM-4GB](#) [SIMBA-PRO-M](#) [SOM-6894C7-S7A1E](#) [SOM-5892FG-S6A1E](#)